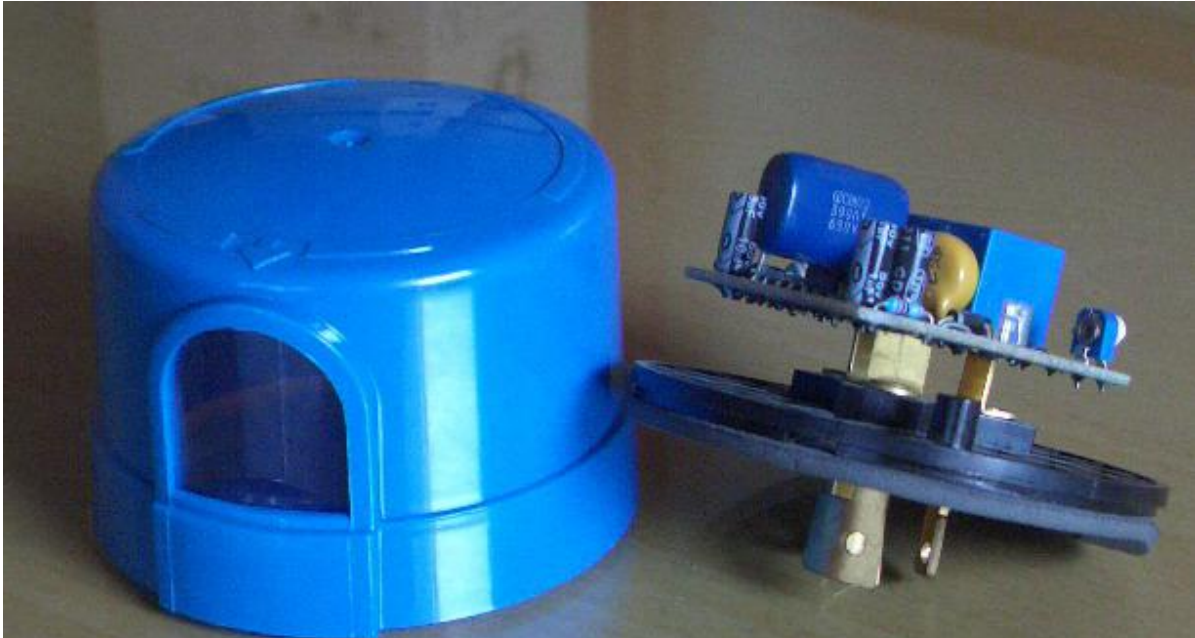
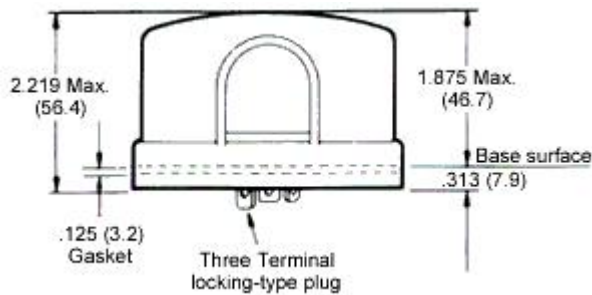


Photocellules

3 Pin JL-205C



- *ANSI C136.10-1996 Twist Lock*
- *Time Delay of 3-20 seconds*
- *Surge Arrester Built-In*
- *Photodiode Sensor*
- *Fail-On Mode*



Product Summary

The photocontroller JL-205 series is applicable to control street lighting, garden lighting, passage lighting and doorway lighting automatically in accordance with the ambient natural lighting level.

This product is designed with electronic circuits with sensor of photodiode and a surge arrester (MOV) is provided. Its quicker response with time delay of 3-20 seconds offers easy-to-test feature. Especially, model JL-205C provides a wide voltage range for customer applications under almost power supplies.

Further, a preset 3-20 seconds time-delay might avoid mis-operation due to spotlight or lightning during the night time.

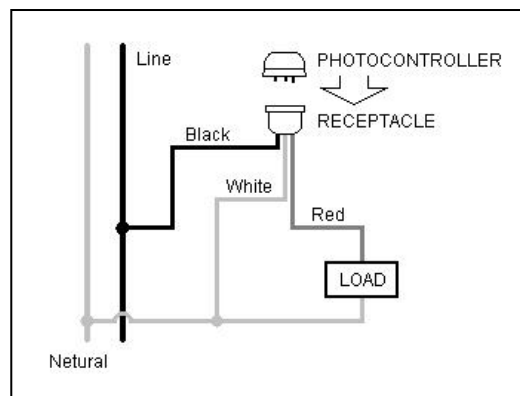
This product provides twist lock terminals meeting the requirements of ANSI C136.10-1996 and the Standard for Plug-In, Locking Type Photocontrols for Use with Area Lighting UL773, 4th Edition, dated Jan.19th, 1995,

Technical Data

Model	JL-205C
Rated Voltage	110-277VAC
Applicable Voltage Range	105-305VAC
Rated Frequency	50/60Hz
Rated Loading	1000W Tungsten, 1800VA Ballast
Power Consumption	1.5VA
On/Off Level	6Lx On 50Lx Off
Ambient Temp.	-40°C ~ +70°C
Related Humidity	99%
Overall Size	84 (Dia.) x 66mm
Weight Approx.	85 grs

Installation

Disconnect power; wire the receptacle according to the diagram in right hand. Push the photocontroller on and twist it clockwise to lock it into the receptacle. **Install the photocontroller with the Photocell facing the NORTH direction as indicated on the top of the photocontroller.** Adjust the receptacle position if necessary.



Ordering Information

JL-205C