

RECESSED LED PANEL LIGHT SPECIFICATION

Constant Voltage 12V DC



Introduction:

WEDO's constant voltage led panel lights are adopted by die-casting aluminum alloy with simple and fashionable design. Different sprayed colors available for your choice; It takes high brightness led lamp, side-emitting design, ultra thin height; Use constant voltage driver, soft and even light; High light efficiency, low power consumption, save much energy, reach up to 50,000 hrs lifespan, easily embedded installation

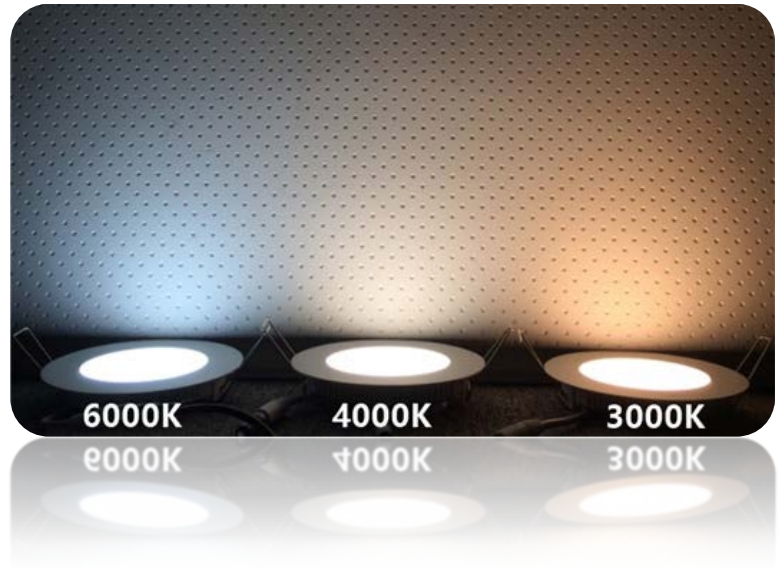
Main Features:

- ✧ High efficiency & energy saving. Under the condition of the same illumination, it saves more than 70% energy compared with the traditional lamp.
- ✧ Long life span, using semiconductor chip as the light resource, the life can be over 50,000hrs.
- ✧ No UV & IR . It won't distribute ray radiation.
- ✧ Eco-friendly, No Hg & Xe , or other harmful element. Recyclable, also it won't generate EMI.
- ✧ High performance external constant current drivers, no stroboscopic, good for eyesight protection;

Application:

Commercial Lighting
Residential Lighting
Office, Living Room Meeting Room,
Lobby, Hotel, Bank,
Super Market, Shopping Mall

Technical Parameters:

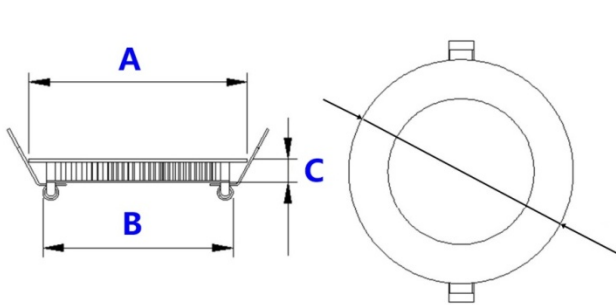


Input Voltage: DC 12V
 LED Chip: SMD 2835
 Color Temperature: 2800-3300K/4000-4500K Color
 Rendering Index: $Ra \geq 85$
 Beam Angle: 120°
 Protection Class: IP21
 Certificates: CE, RoHS, ETL, cETL
 Warranty: 3 Years

Model	MM-PLR4-8W
Power	8 Watt
Product Size	$\varnothing 120 \times 12 \text{mm}$ Cutout Size: $\varnothing 106 \text{mm}$
LED Light Source	2835 SMD
Lumen Output	750 \pm 50LM

Model	MM-PLR6-12W
Power	12Watt
Product Size	$\varnothing 180 \times 12 \text{mm}$ Cutout Size: $\varnothing 160 \text{mm}$
Lumen Output	1200 \pm 50LM
Color Rendering Index	$Ra \geq 80$
Protection Class	IP20

NOTICE: Light optic with a little deviation for different color temperature of LED, deviation value $\leq 5\%$

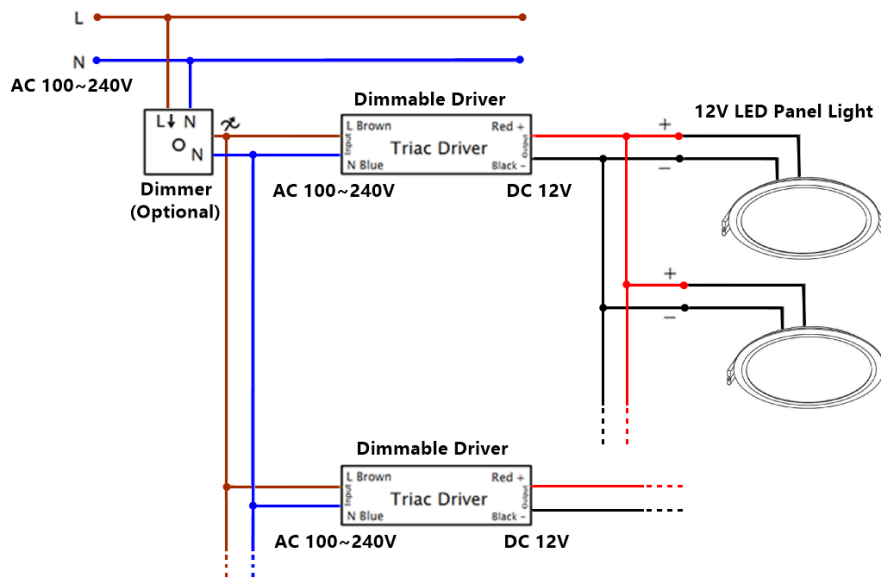


4"
A= 120mm
B= 106mm
C= 12mm

6"
A= 180mm
B= 160mm
C= 12mm

Wiring Diagram:

According to the power of driver, one driver can drive several lights within the range of max load.



Installation Instruction:

