

FL04B Flood / Area Light

300W | 5000K | 120-347V

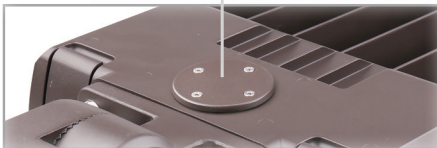


TRUE UNIVERSAL POWER INPUT FROM 120-347V!

A versatile, clean, and modern appearance that brings a pleasing aesthetic to any project

Removable Access Plate

for easy field installation of twist lock photocell receptacle



Type III
Polycarbonate Optics
Type IV and V available

Rugged Die Cast
Aluminum Housing
(Bronze)

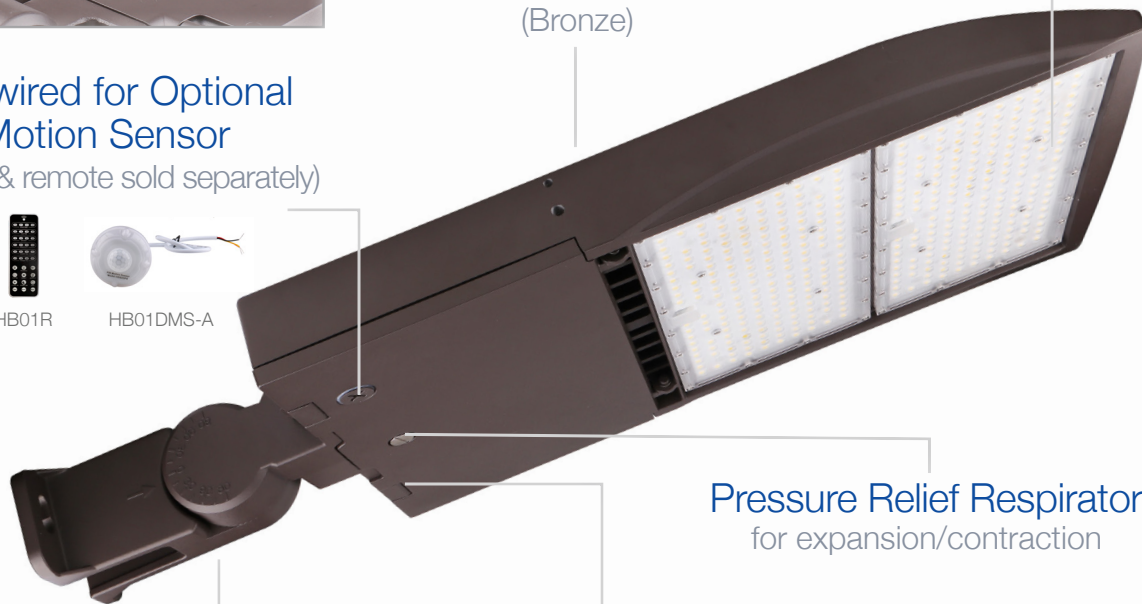
Pre-wired for Optional
Motion Sensor
(Sensor & remote sold separately)



HB01R



HB01DMS-A



Pressure Relief Respirator
for expansion/contraction

Quick-Release,
Hinged Access Cover
for control compartment

Complete with Trunnion
Interchangeable mounting
options sold separately

Accessories (Ordered Separately):

Yoke Mount, Slip Fit, Pole Mount, Multi Mount, Motion Sensor Remote, Motion Sensor, Type IV and V Optics, Photocell and Receptacle, Shield



FL04-YK-HG



FL04-SF



FL04-PM



FL04-MM



HB01R



HB01DMS-A

TECHNICAL DATA



LIGHT SPECIFICATIONS

Lumens	39,000 lm
Efficacy	130 lm/W
CCT	5000K
CRI	>70
L70 Life	50,000 hrs
Dimmable	0-10V
Warranty	5-year

APPROVALS AND LISTINGS

cUL	E482965
DLC	TBA

ISOCANDELA

TBA

ILLUMINANCE AT A DISTANCE

TBA

ELECTRICAL

Wattage	300W
Voltage	120-347V
Power Factor	>0.9
THD	<20%
Operating Temp	-35 to 50°C

CONSTRUCTION

Housing	Die-Cast Aluminum
Cover	Polycarbonate
Finish	Bronze
IP Rating	IP65
EPA	2.31 ft ²
Net Weight	9.32 kg
Gross Weight	10.32 kg
Carton Qty	1
Carton Dimensions	915 x 380 x 155 mm

ACCESSORIES (SOLD SEPARATELY)

Slip Fit	FL04-SF
Pole Mount	FL04-PM
Multi Mount	FL04-MM
Yoke Mount	FL04-YK-HG
Motion Sensor	HB01DMS-A
Motion Sensor Remote	HB01R
Photocell and Receptacle for 120-277V sites	JL-200 and JL-205LV
Photocell and Receptacle for 277-480V sites	JL-200 and JL-207E
Shield	FL04B-SHIELD-LG
Type IV Optics	FL04B-TYPE-IV
Type V Optics	FL04B-TYPE-V

Note: If purchasing FL04B-TYPE-IV or FL04B-TYPE-V, you must order a quantity of 2 for this fixture (sold separately)