



**Description**

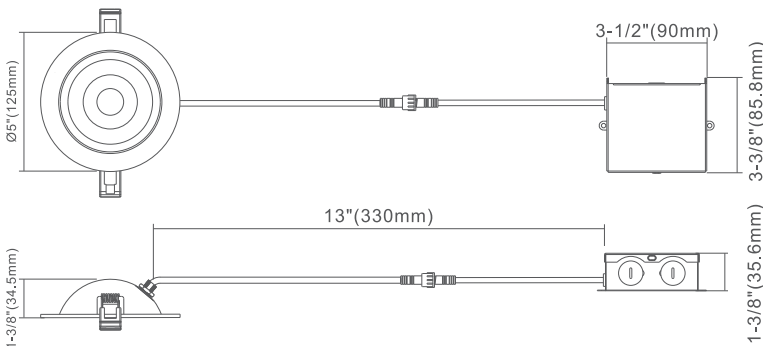
4" LED Floating Gimbal  
Adjustable in any direction and easy to use

**Features**

- \* Ideal for sloped ceilings, wall washing, highlighting artwork, task or general lighting.
- \* Type IC, Air-Tight - No Housing Required
- \* 1 3/8" Deep - Fits in 1" ceiling space
- \* Driver Inside Connection Box - No Junction Box Needed
- \* Pre-Select 5 CCT - from 2700K, 3000K, 3500K, 4000K, 5000K
- \* Rated for long life - 50,000 hours

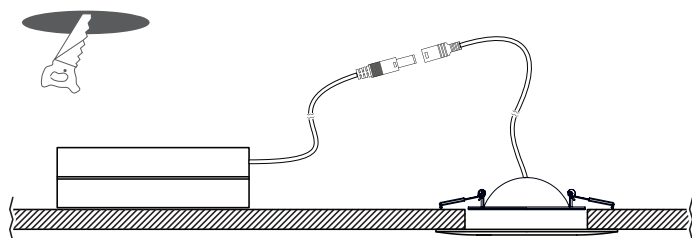


**DIMENSIONS**



**INSTALLATION**

Cut Hole Size  
Ø4-1/4" (108mm)



SPECIFICATIONS	
Model	FDFG-4-9W-5CCT-WH/-BK/-BNG
Watts	9W
CRI	90Ra+
Color Temperature(K)	Pre-Select 5CCT - 2700K, 3000K, 3500K, 4000K, 5000K
Default Driver Input	AC120V, 60Hz
Optional Driver Input	Triac Dimmers 10% - 100%
Power Factor	>0.9
Approved Location	Insulated Ceiling & Damp Locations
Air Tight	Yes
Operating Temp.	(-4°F to +104°F) -20 to +40°C
Beam Angle	38°

PACKAGE	
Weight.(g)	500g
Qty/CTN (pcs)	18pcs/CTN
Box Dimension	L420*W280*H265mm
Gross Weight	10.5kg/CTN

**INCLUDED IN BOX**

- 4" LED Floating Gimbal with Remote Driver



**Color Choices**



**ACCESSORIES (Optional)**

Mounting Plates	
13" Long Flat Plate opening Ø4-1/4" (108mm)	26-1/2" Long Flat Plate opening Ø4-1/4" (108mm)
16-1/2" Long Flat Plate opening Ø4-1/4" (108mm)	3"/4" new construction pre-mounting plate opening Ø3"(75mm), Ø4-3/8"(110mm), Ø6-1/4"(160mm)
<b>Flexible Connector</b>	<b>Emergency Backup</b>
4ft/ 6ft/ 10ft/ 20ft Flexible Cable	15W Emergency Driver AC100-347 VAC 50/60Hz, emergency time 90mins, Battery Li-ion battery, 14.8V/2000mAh