



Features

- Output constant voltage
- Universal AC input: 100-130VAC/170-265VAC
- Power Factor > 0.70
- High efficiency > 84%
- Protection: short circuit/over loading/over current/ Over temperature
- Full protection plastic housing
- Easy installation
- Cooling by free air convection
- Compatible with Forward phase, Magnetic low voltage, triac Dimmers
- Strong compatibility, flicker-free dimming, PWM output
- Suitable for LED lighting and moving sign applications and others
- Compliance to worldwide safety regulations for lighting

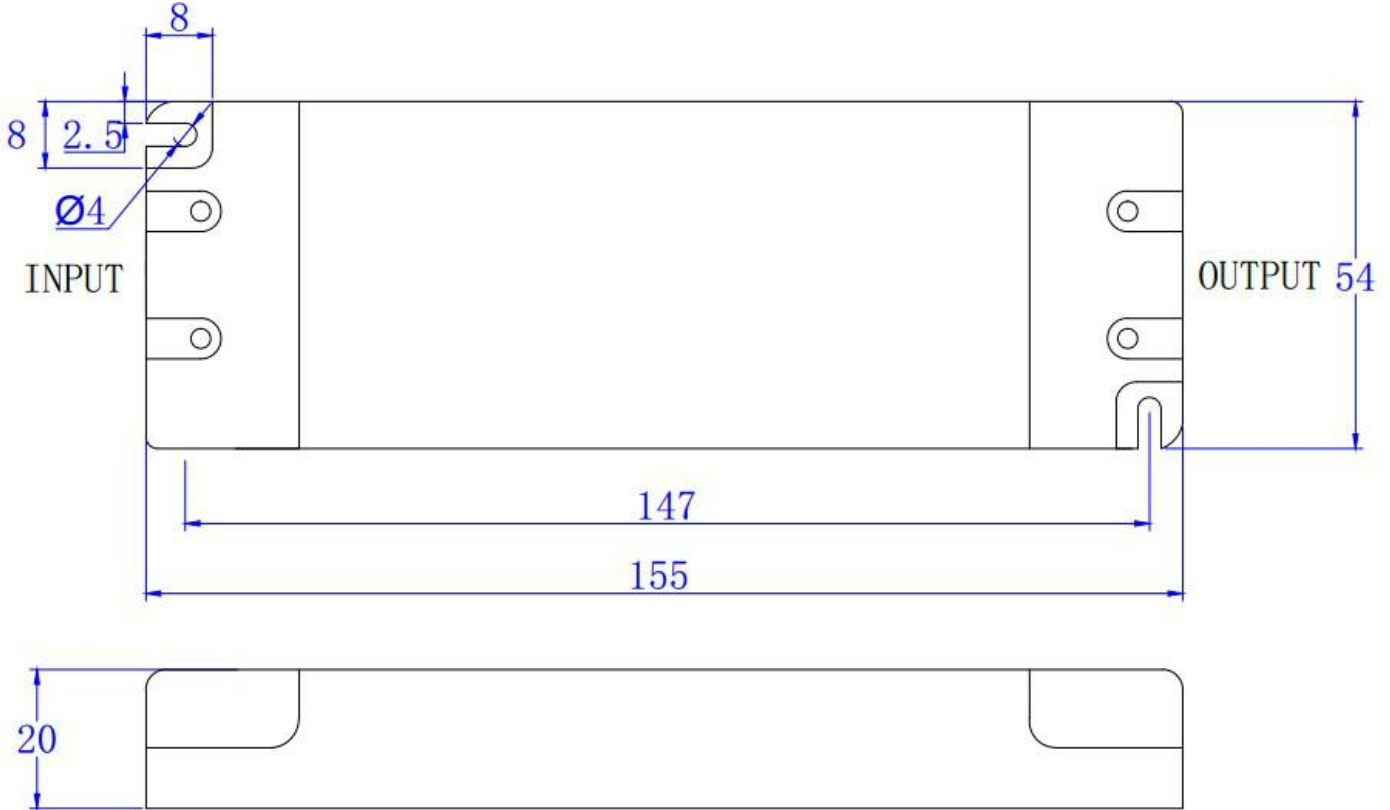
Specification



Model		SMT-012-024VT	SMT-024-024VT
output	DC Voltage	12V	24V
	Voltage Tolerance	±0.5V	
	Rated current	2.08A	1.04A
	Rated power	24W	
input	Voltage Range	100~130VAC / 170~265VAC	
	Frequency Range	47~63HZ	
	Power Factor (Typ.)	PF≥0.70	
	Efficiency (Typ.)	>84%	>84%
	AC Current (Typ.)	0.34A@120VAC, 0.18A@220VAC	0.34A@120VAC, 0.18A@220VAC
	Leakage current	< 0.70mA/110VAC / < 0.5mA/220VAC	
Protection	Short Circuit	Hiccup mode, recovers automatically after fault condition is removed	
	Over Current	≤1.2*I out	
	Over Loading	≤120%	
	Over temperature	100°C±10°C (The output voltage will turn off when the temperature is higher than 100°C±10°C, after the temperature drop off, it will recovery) automatic	
Environment	Working TEMP.	-40~+60°C	
	Working Humidity	20~90%RH, non-condensing	
	Storage TEMP. Humidity	-40~+80°C, 10~95%RH	
	TEMP. coefficient	±0.03%/°C (0~50°C)	
	Vibration	10~500Hz, 2G 10min./1 cycle, period for 60min. each along X,Y,Z axes	
Safety& EMC	Safety standards	UL8750+UL1310	
	Withstand voltage	I/P-O/P: 1500KVAC	
	Isolation resistance	I/P-O/P: 100MΩ/500VDC/25°C/70%RH	
	EMC EMISSION	FCC Part 15 B	
others	Net. Weight	0.20Kg	
	Size	155*54*20mm (L*W*H)	
	packing	350*195*180mm 30PCS/CTN	

Notes	<ol style="list-style-type: none"> 1. All parameters if NOT specially mentioned are measured at 110VAC / 220VAC input , rated load and 25°C of ambient temperature. 2. To extend the driver's using life ,please reduce the loading at lower input voltage. 3. Loading should be 5-100%.
-------	---

■ Mechanical Specification



- ※ Input (L) and (N) with wires to be connected AC.
- ※ Output LED SEC :(LED+) (LED-)

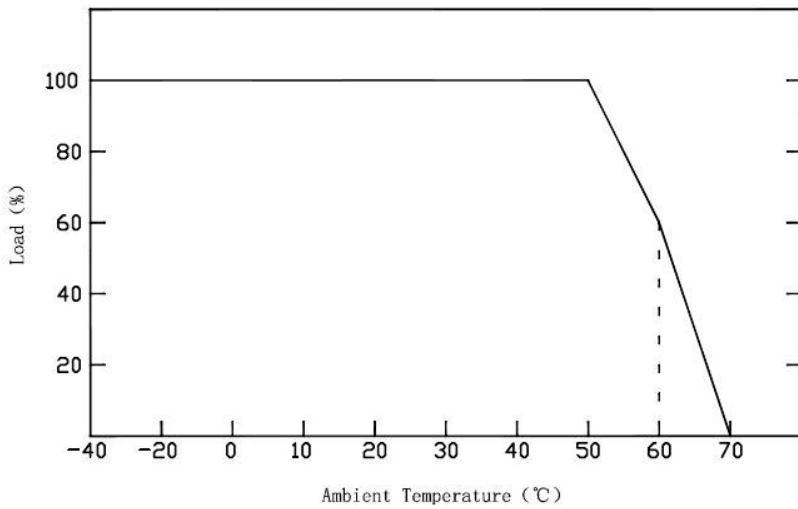
■ Dimming Operation

- ※The Pulse-Width Modulation (PWM) of output voltage can be adjusted through input terminal of the AC phase line(L) by connection a triac dimmer.
- ※Usually matching with leading edge Triac Dimmers(Can customized as a driver only matching trailing edge Triac Dimmers if needed).
- ※Please try to use dimmers with power at least 2.5 times as the output power of the driver.
- ※for Forward phase,Magnetic low voltage and Triac Dimmers

■ Warning

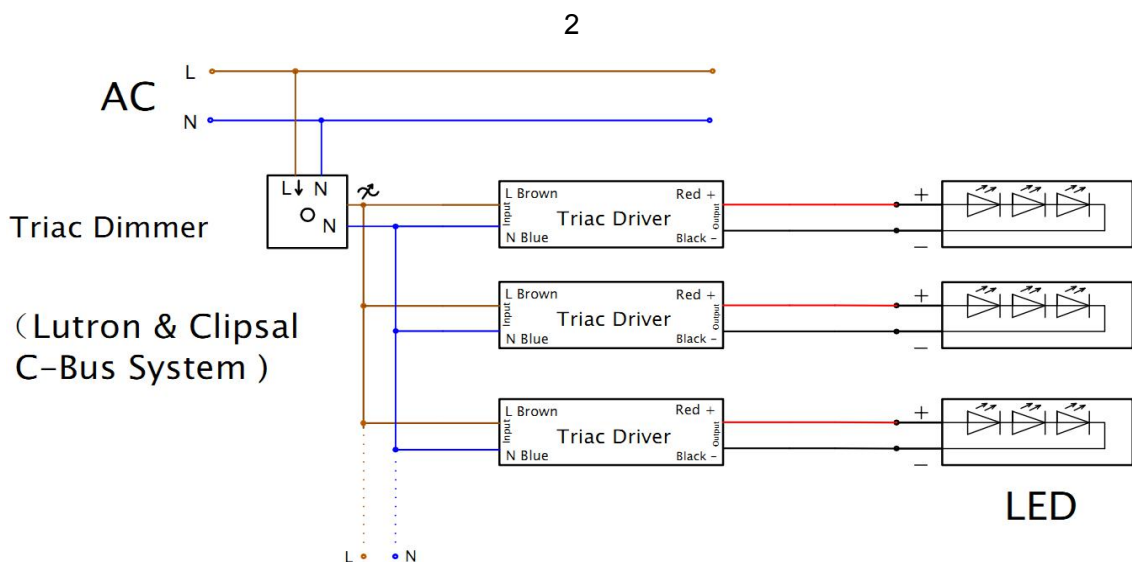
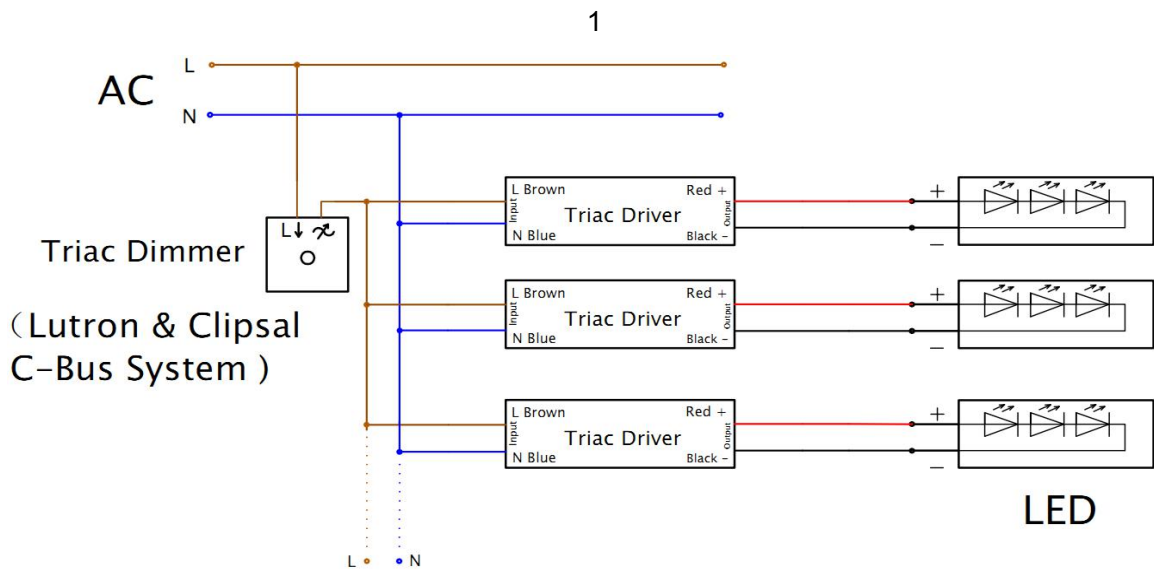
- ※Prevent to reverse polarity;
- ※Risk of Electric Shock. When used outdoors, install only on a circuit protected by a Class A GFCI;
- ※Risk of Fire. Installation involves special wiring methods to run wiring through a building structure. Consult a qualified electrician;
- ※Risk of Electric Shock. Mount the unit at a height greater than 1 foot from the ground surface.

■ Derating Curve



※To extend their life, please refer to the Derating Curve and derate according to the temperature

■ Connecting Diagram



3

