

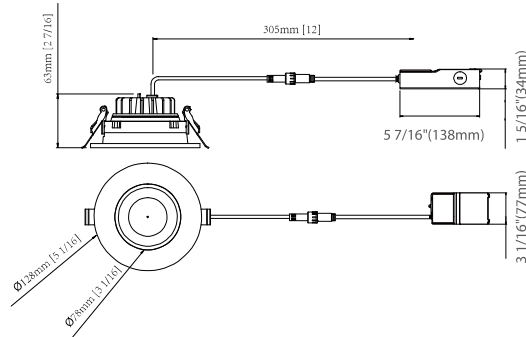
3.5" Recessed Gimbal Downlight Round

Features

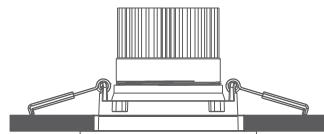
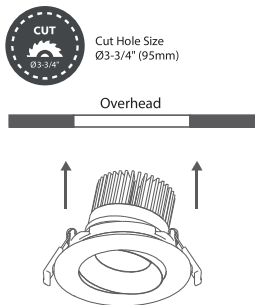
- * Durable Aluminum body with adjustable gimbal
- * Simple snap-in installation is fast and easy
- * Tilting gimbal light source for directional lighting
- * I.C. rated for direct contact with insulation
- * Air Tight
- * No housing required
- * Input voltage: AC 120V 60Hz
- * 10-100% dimming capability this fixture is compatible with industry standard TRIAC/ELV dimmers
- * Lifespan - over 50,000 hours
- * Suitable for WET LOCATION
- *Pre-Select 5 CCT 2700K /3000K/3500K/4000K /5000K



DIMENSION



INSTALLATION



SPECIFICATIONS	
Model	FDRGD-3.5-12W-5CCT-120V-BK-R
Watts	12W
CRI	90Ra+
Color Temperature(K)	Pre-Select 5 CCT 2700K /3000K/3500K/4000K /5000K
Light Output(lm)	800lm
Default Driver Input	AC120V,60Hz
Dimming	Triac Dimming 10-100%
Power Factor	>0.9
Approved Location	Wet Location
Air Tight	Yes
IC Rated	Yes
Operating Temp	(-4°F~104°F) -20~40°C
Beam Angle	38°

PACKAGE	
Weight.(g)	530g
Qty/CTN (pcs)	18pcs/CTN
Box Dimension	435*325*325mm
Gross Weight	11.8kg/CTN

INCLUDED IN BOX

3.5" Recessed Gimbal Downlight, Round



OPTIONAL ACCESSORIES

Mounting Plate



FD-UNMP (SKU#101078)

Universal Mounting Plate, compatible with 2", 3", 3.5", 4" Light Panel and Downlights

Factory Direct Lighting (2020) Ltd.
www.fdlighting.ca
Tel: 1-855-533-0743 / 1-905-944-1210

100 Shields Court Unit B
Markham, Ontario
Canada, L3R 9T5