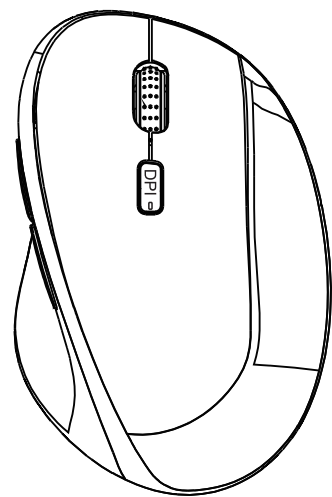


105mm



USER MANUAL: QW PCM-240



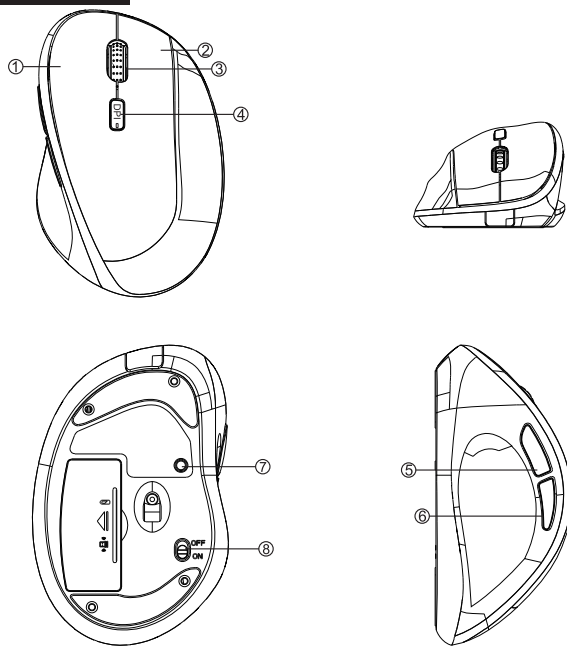
145mm

LINCOLN WIRELESS MOUSE

DPI SWITCH • THUMB REST

ERGONOMIC DESIGN

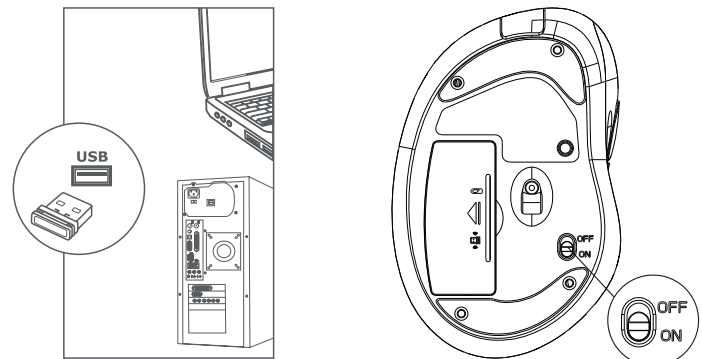
Overview



- 1. Left button
- 2. Right button
- 3. Scroll Wheel
- 4. DPI button
- 5. Forward button
- 6. Backward button
- 7. Device switching button
- 8. ON/OFF Switch

Remark: Bluetooth 3.0 name : PCM-240 3.0
Bluetooth 5.0 name : PCM-240 5.0

Instruction



2.4G mode:

- 1.Plug in Qware receiver
- 2.Turn on QW PCM-240BL
- 3.Red indicator light is ON
- 4.Connect the device successfully

Bluetooth 3.0 and 5.0 :

- 1.Short press the switch button on the bottom of the mouse to switch to Bluetooth mode
- 2.2 Bluetooth channels, respectively, there will be green and blue indicator lights
- 3.Then long press the switch button on the top of the mouse for 3s, the indicator light will flash quickly
- 4.Devices search PCM-240 3.0 or PCM-240 5.0 Mouse, just click "Pair"
- 5.Connect the device successfully

Features



*Multi-connect wireless connection

Interference-free wireless options: The smart switch between Bluetooth 3.0, Bluetooth 5.0 and 2.4 GHz ensures stable wireless transmission with up to 10 meters range and 360° coverage. You can still use your mouse regardless of USB port shortage or the loss of receiver.



* Automatically switch among multiple devices

Automatically switch among 3 connected devices in one click (Automatic pairing)



*Ergonomic and comfortable design

Ergonomic design , which has a more full and fit the palm of the arc, so that it will not be tired after long-term use



* Adjustable 2400 DPI optical sensor

With the adjustable DPI sensor, accuracy is no longer left to chance. Adjustable from 1000-1600-2400, you can adapt it to match your preference

Specifications

Multi-connect wireless connection:
2.4 GHz, Bluetooth 3.0, Bluetooth 5.0
Adjustable DPI 1000-1600-2400
6 mouse buttons incl. Scroll wheel
side buttons,DPI button
Left and right buttons
Device switch buttons
Nano USB receiver
On/Off switch

Package Contents

Wireless mouse, Nano USB receiver,
1*AA battery, User Manual

Package System Requirements

Windows 7/8/10/11/XP/2000/Vista/Mac



3

DOC

Pirox International B.V.

EC Declaration of Conformity

We
Pirox International B.V.
Blaak 6 | 3011 TA Rotterdam | The Netherlands

Hereby declare under our sole responsibility that the product:

Model number: QW PCM-240BL
Product description: Qware wireless mouse Lincoln

To which this declaration relates is in conformity with the requirements of the following standards:

The EMC directive 2014/30/EU;

EN 55032:2015
EN 55024:2010+A1:2015
EN 61000-3-2:2014
EN 61000-3-3:2013

The RED directive 2014/53/EU;

EN 60950-1:2006+A11:2009+A1:2010+A12:2011+A2:2013
ETSI EN 301 489-1 V2.2.1 (2019-03)
ETSI EN 301 489-17 V3.2.0 (2017-03)

ROHS directive (EU) 2015/863 amending annex II to directive 2011/65/EU

REACH directive (EC) No.1907/2006 to determine 205 substances of very high concern (SVHC)

This certifies that the following designated product:

Model number: QW PCM-240BL
Product description: Qware wireless mouse Lincoln

Complies with the requirements of the following directives and carries the CE marking accordingly:

The EMC directive 2014/30/EU
ROHS directive (EU) 2015/863 amending annex II to directive 2011/65/EU
REACH directive (EC) No.1907/2006

This declaration is the responsibility of the manufacturer / importer:

Pirox International B.V.
Rotterdam, 1 March, 2020

R.J. de Bruin,

CEO
PIROX

4

DOC

UK

CE COMPLIANCE
Hereby Pirox International B.V. declares that this product is in accordance with essential requirements and other relevant terms of the European regulation 2004/108/EC. RoHS 2011/65/EU.

FR

CONFORMITE CE
Par la présente Pirox International B.V. déclare que l'appareil est conforme aux exigences essentielles et aux dispositions pertinentes de la Directive Européenne 2004/108/EC. RoHS 2011/65/EU.

DE

CE-CONFORMITÄT
Hiermit erklärt Pirox International B.V., dass dieses Produkt die erforderlichen Voraussetzungen und andere relevante Konditionen der europäischen Richtlinie 2004/108/EC. RoHS 2011/65/EU erfüllt.

IT

CONFORMITÀ ALLE NORME CE
Con la presente Pirox International B.V. dichiara che questo prodotto è conforme ai requisiti essenziali e agli altri termini rilevanti della Direttiva Europea 2004/108/EC. RoHS 2011/65/EU.

NL

CE GOEDKEURING
Hierbij verklaart Pirox International B.V. dat dit product in overeenstemming is met de essentiële eisen en andere relevante bepalingen van Europese Richtlijn 2004/108/EC. RoHS 2011/65/EU.

ES

CONFORMIDAD CON LA CE
Por la presente Pirox International B.V. declara que este producto cumple con los requisitos esenciales y las otras provisiones relevantes de la Directiva Europea 2004/108/EC. RoHS 2011/65/EU.

PT

CONFORMIDADE CE
Pela presente a Pirox International B.V. declara que este produto está em conformidade com os requisitos essenciais e outras condições relevantes da regulamentação Europeia 2004/108/EC. RoHS 2011/65/EU.

SE

CE-FÖRSÄKRAN
Härmed försäkras Pirox International B.V. att denna produkt uppfyller de nödvändiga kraven och andra relevanta villkor EU-direktivet 2004/108/EC. RoHS 2011/65/EU.

DK

OVERENSSTEMMELSEERKLÆRING
Pirox International B.V. bekræfter hermed, at dette produkt er i overensstemmelse med væsentlige krav og andre betingelser i henhold til Rådets direktiv 2004/108/EC. RoHS 2011/65/EU.

NO

CE-OVERENSSTEMMELSE
Pirox International B.V. erklærer herved at dette produkt er i overensstemmelse med de avgjørende kravene og andre relevante vilkår i den europeiske forskriften 2004/108/EC. RoHS 2011/65/EU.

FI

CE-HYVÄKSYNTÄ
Täten Pirox International B.V. ilmoittaa, että tämä tuote on yhdenmukainen direktiivin 2004/108/EC. RoHS 2011/65/EU. olennaisien vaatimusten ja muiden asiaankuuluvien sopimusehtojen kanssa.

RU

СООТВЕТСТВИЕ ТРЕБОВАНИЯМ CE
Настоящим компания Pirox International B.V. заявляет, что ее продукция соответствует основным требованиям и условиям Европейской Директивы 2004/108/EC. RoHS 2011/65/EU.

PL

CERTYFIKAT ZGODNOŚCI CE
Pirox International B.V. niniejszym oświadcza, że ten produkt spełnia wszelkie niezbędne wymagania, a także inne istotne warunki dyrektywy europejskiej 2004/108/EC. RoHS 2011/65/EU.

GR

ΣΥΜΜΟΡΦΩΣΗ ΜΕ CE
Η Pirox International B.V. δηλώνει, διά του παρόντος, ότι αυτό το προϊόν συμμορφώνεται με τις ουσιαστικές απαιτήσεις και τους λοιπούς όρους του ευρωπαϊκού κανονισμού 2004/108/EC. RoHS 2011/65/EU.



*Multi-connect Ergonomic Wireless Mouse

This advanced wireless mouse offers superior comfort and functionality in an elegant beautiful design. The main feature of multi-connect wireless connection - via QWARE's reliable 2.4 GHz wireless transmission, Bluetooth 3.0 or Bluetooth 5.0. (Smart) - allows you to connect simultaneously to up to 3 devices and change (pair automatically) among them.

Designed & produced by: Pirox International B.V.: NL-3045 AP, 101
www.qware.nl • Made in China

Requires PC/mac with USB port. Comply with all Windows & Mac operation systems. Specifications, colours and contents may vary from illustrations. Trademarks and trade names are those of their respective owners.



MORE INFO

