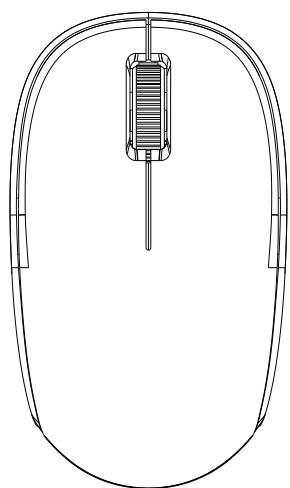


105mm



USER MANUAL: QW PCM-110



BRISTOL WIRELESS MOUSE

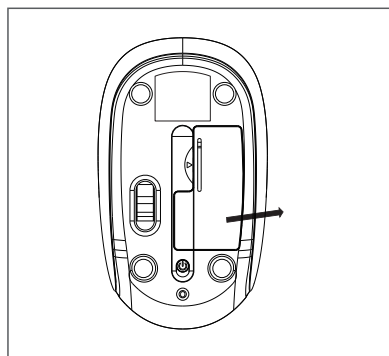


BATTERY SAVING • RIGHT AND LEFT HAND USE

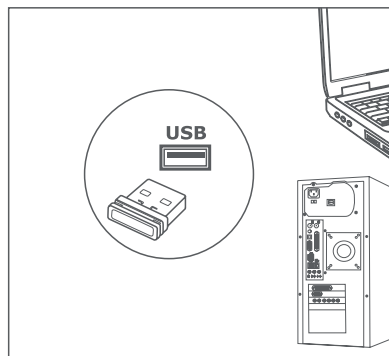
145mm

1

Guidance for first installation



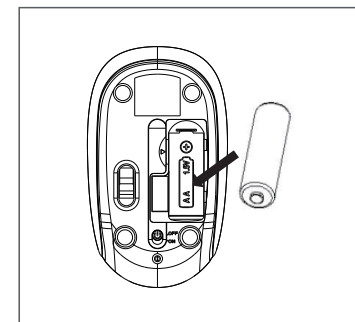
1. Open the battery cover at the bottom of the mouse.



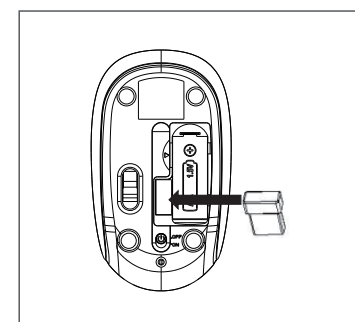
2. Take out the nano receiver from the color box and insert it into spare usb port of the computer

2

Guidance for first installation



3. Put in AA battery and place it in correct direction (by following the sign of positive and negative indicated inside), and then turn on power on <ON> position. Then close the battery cover.



4. When the mouse is not in use, please place the nano receiver in the showed compartment.

3

DOC

Pirox International B.V.

EC Declaration of Conformity

We
Pirox International B.V.
Blaak 6 | 3011 TA Rotterdam | The Netherlands

Hereby declare under our sole responsibility that the product:

Model number: QW PCM-110BL/ QW PCM-110GN/ QW PCM-110PK
Product description: Qware wireless mouse Bristol

To which this declaration relates is in conformity with the requirements of the following standards:

The EMC directive 2014/30/EU;

EN 55032:2015
EN 55024: 2010+A1: 2015
EN 61000-3-2:2014
EN 61000-3-3:2013

The RED directive 2014/53/EU;

EN 60950-1: 2006+A11: 2009+A1: 2010+A12: 2011+A2: 2013
ETSI EN 301 489-1 V2.2.1 (2019-03)
ETSI EN 301 489-17 V3.2.0 (2017-03)

ROHS directive (EU) 2015/863 amending annex II to directive 2011/65/EU

REACH directive (EC) No.1907/2006 to determine 205 substances of very high concern (SVHC)

This certifies that the following designated product:

Model number: QW PCM-110BL/ QW PCM-110GN/ QW PCM-110PK
Product description: Qware wireless mouse Bristol

Complies with the requirements of the following directives and carries the CE marking accordingly:

The EMC directive 2014/30/EU
ROHS directive (EU) 2015/863 amending annex II to directive 2011/65/EU
REACH directive (EC) No.1907/2006

This declaration is the responsibility of the manufacturer / importer:

Pirox International B.V.
Rotterdam, 1 March, 2020

R.J. de Bruin,



4

DOC

- UK** CE COMPLIANCE
Hereby Pirox International B.V. declares that this product is in accordance with essential requirements and other relevant terms of the European regulation 2004/108/EC. RoHS 2011/65/EU.
- FR** CONFORMITE CE
Par la présente Pirox International B.V., déclare que l'appareil est conforme aux exigences essentielles et aux dispositions pertinentes de la Directive Européenne 2004/108/EC. RoHS 2011/65/EU.
- DE** CE-CONFORMITÄT
Hiermit erklärt Pirox International B.V., dass dieses Produkt die erforderlichen Voraussetzungen und andere relevante Konditionen der europäischen Richtlinie 2004/108/EC. RoHS 2011/65/EU erfüllt.
- IT** CONFORMITÀ ALLE NORME CE
Con la presente Pirox International B.V. dichiara che questo prodotto è conforme ai requisiti essenziali e agli altri termini rilevanti della Direttiva Europea 2004/108/EC. RoHS 2011/65/EU.
- NL** CE GOEDKEURING
Hierbij verklaart Pirox International B.V. dat dit product in overeenstemming is met de essentiële eisen en andere relevante bepalingen van Europese Richtlijn 2004/108/EC. RoHS 2011/65/EU.
- ES** CONFORMIDAD CON LA CE
Por la presente Pirox International B.V. declara que este producto cumple con los requisitos esenciales y las otras provisiones relevantes de la Directiva Europea 2004/108/EC. RoHS 2011/65/EU.
- PT** CONFORMIDADE CE
Pela presente a Pirox International B.V. declara que este produto está em conformidade com os requisitos essenciais e outras condições relevantes da regulamentação Europeia 2004/108/EC. RoHS 2011/65/EU.
- SE** CE-FÖRSÄKRAN
Härmed försäkras Pirox International B.V. att denna produkt uppfyller de nödvändiga kraven och andra relevanta villkor EU-direktivet 2004/108/EC. RoHS 2011/65/EU.
- DK** OVERENSSTEMMELSEERKLÆRING
Pirox International B.V. bekræfter hermed, at dette produkt er i overensstemmelse med væsentlige krav og andre betingelser i henhold til Rådets direktiv 2004/108/EC. RoHS 2011/65/EU.
- NO** CE-OVERENSSTEMMELSE
Pirox International B.V. erklærer herved at dette produkt er i overensstemmelse med de avgjørende kravene og andre relevante vilkår i den europeiske forskriften 2004/108/EC. RoHS 2011/65/EU.
- FI** CE-HYVÄKSYNTÄ
Täten Pirox International B.V. ilmoittaa, että tämä tuote on yhdenmukainen direktiivin 2004/108/EC. RoHS 2011/65/EU. olennaisien vaatimusten ja muiden asiaankuuluvien sopimusehtojen kanssa.
- RU** СООТВЕТСТВИЕ ТРЕБОВАНИЯМ CE
Настоящим компания Pirox International B.V. заявляет, что ее продукция соответствует основным требованиям и условиям Европейской Директивы 2004/108/EC. RoHS 2011/65/EU.
- PL** CERTYFIKAT ZGODNOŚCI CE
Pirox International B.V. niniejszym oświadcza, że ten produkt spełnia wszelkie niezbędne wymogi, a także inne istotne warunki dyrektywy europejskiej 2004/108/EC. RoHS 2011/65/EU.
- GR** ΣΥΜΜΟΡΦΩΣΗ ΜΕ CE
Η Pirox International B.V. δηλώνει, ότι αυτό το προϊόν συμμορφώνεται με τις ουσιαστικές απαιτήσεις και τους λοιπούς όρους του ευρωπαϊκού κανονισμού 2004/108/EC. RoHS 2011/65/EU.



5

Troubleshooting

Mouse not working

1. Ensure your computer is compatible with the system requirements.
2. Ensure the mouse receiver is connected to the USB port.
3. Check if your mouse is power on.
4. Ensure your batteries are charged and replace them when necessary.
5. Ensure that there is no metal material between your mouse and the receiver.
6. If you are using USB hub, please directly insert the receiver into the USB port of your computer.



Designed & produced by: Pirox International B.V.:
NL-3045 AP, 101 • www.qware.nl • Made in China

Requires PC/mac with USB port. Comply with all Windows & Mac operation systems. Specifications, colours and contents may vary from illustrations. All trademarks and trade names are those of their respective owners.