

SMART Board® GX (V2) series

SBID-GX165-V2
 SBID-GX175-V2
 SBID-GX186-V2



Display	
Screen sizes (diagonal)	65", 75", 86"
Backlight	LED
Aspect ratio	16:9
Maximum display resolution	4K UHD (3840 × 2160)
Refresh rate	60 Hz
Lifespan	≥ 50,000 hours
Brightness (maximum)	≥ 400 cd/m ²
Response time	≤ 8 ms
Viewing angle	178°
Glass	Fully heat-tempered, anti-glare, bonded glass
Frame color	Black
Convenience buttons	Power, home, freeze frame, volume
Sensors	Ambient light, infrared
Audio	2 integrated 20 W speakers

Interactive experience	
Touch technology	Advanced infrared
Touch features	Object Awareness™ ¹ Simultaneous Tool Differentiation ² Silktouch™
Typical response time	≤ 8 ms
Frame rate	≥ 125 Hz
Accuracy	1 mm
Minimum object size	2 mm
Multitouch capabilities	20 – Windows®, Mac, and Android™ 10 – Chrome OS™
Tools included	Pens (×2)
Tool holders	Magnetic, frame-mounted

Software	
Built-in Android™ experience	Included
SMART Notebook®	Included
SMART Ink® and SMART Product Drivers	Included
SMART Remote Management	Optional
SMART Learning Suite	Optional
SMART Meeting Pro®	Optional
SMART TeamWorks™	Optional

smarttech.com
smarttech.com/contact

© 2023 SMART Technologies ULC. All rights reserved. SMART Board, SMART TeamWorks, SMART Meeting Pro, SMART Notebook, SMART Ink, Object Awareness, Silktouch, smarttech, the SMART logo and all SMART taglines are trademarks or registered trademarks of SMART Technologies ULC in the U.S. and/or other countries. Android and Chrome OS are trademarks of Google Inc. The Bluetooth word mark is owned by the Bluetooth SIG, Inc. and any use of such marks by SMART Technologies ULC is under license. The Adopted Trademarks HDMI, HDMI High-Definition Multimedia Interface, and the HDMI Logo are trademarks or registered trademarks of HDMI Licensing Administrator, Inc. in the United States and other countries. All other third-party product and company names may be trademarks of their respective owners. This product and/or use thereof is covered by one or more of the following U.S. patents: www.smarttech.com/patents. Models and specifications may vary by region. Please contact your local representative for details. Contents are subject to change without notice. February 21, 2023.

¹When connected to a computer with SMART Product Drivers
²A connected computer with SMART Product Drivers is required.
 Only supported in SMART Notebook and SMART Ink.

Built-in Android™ experience	
Operating system	Android version 11.0
Memory	4 GB DDR4
Storage	32 GB
Digital whiteboard	✓
Web browser	✓
Screen sharing	✓
Other features	Input select File manager Overlay Interactive widgets App library
WPS Office	✓
Ability to run third-party applications	✓
Cloud storage access	✓
Languages supported	Arabic, Chinese (simplified), Chinese (traditional), Czech, Danish, Dutch, English, Finnish, French, German, Greek, Hungarian, Indonesian, Italian, Japanese, Korean, Lithuanian, Norwegian, Polish, Portuguese, Romanian, Russian, Spanish, Swedish, Thai, Turkish, Ukrainian, Vietnamese
Updates	Over-the-air (OTA)
PC computing	
OPS support	✓
OPS-C support	✓
PC module power supported OPS	100 W
Optional computing modules	SMART OPS PC with Windows® 11 Pro

Inputs	Front	Back
OPS PC accessory slot (100 W devices)	–	1
HDMI® 2.0 with HDCP 1.4 and HDCP 2.2 support	1	2
Display Port 1.2	–	1
VGA video	–	1
Stereo 3.5 mm	–	1
RS-232 room control (DB-9 connector)	–	1
RJ45 (LAN IN)	–	1
USB Type-C 4K @ 60Hz Display Port alternate mode, touch, digital audio, USB 3.2 Gen 1 (DFP) for peripherals; 15 W power delivery	1	–
USB Type-C 4K @ 60Hz Display Port alternate mode, touch, digital audio, USB2.0 Hi-Speed USB	–	1
USB 3.2 Gen 1 Type-A	2	2
USB 2.0 Type-A	–	1
USB 2.0 Type-B	1	1

Outputs	Front	Back
HDMI 2.0 with HDCP 1.4 and 2.2 support	–	1
Stereo 3.5 mm	–	1
Audio S/PDIF	–	1
RJ45 (LAN OUT)	–	1

Included cables and accessories	Qty
Country-specific power cable	1
16' 5" (5 m) USB 2.0 Type A to B cable	1
Pens	2
External dual-band Wi-Fi antenna (2.4 and 5 GHz) and External Bluetooth antenna (2.4 GHz)	2
Remote control	1
AAA batteries	2
Illustrated installation instructions	1
Important information document	1

Connectivity

Wired	RJ45 (x2) 1000baseT
Wi-Fi	IEEE 802.11ax (Wi-Fi 6) supporting WEP, WPA, WPA2 PSK, and 802.1X EAP authentication protocols
Bluetooth	5.0 dual mode

Storage and operating requirements

Power requirements	100V to 240V AC, 50 Hz to 60 Hz
Operating temperature	32–95°F (0–35°C)
Storage temperature	14–140°F (-10–60°C)
Humidity	20–80% relative humidity, non-condensing

Power consumption

Typical	65": 74 W 75": 87 W 86": 119 W
Standby	< 0.5 W

Certification and compliance³

Regulatory models	IDGX65-2, IDGX75-2, and IDGX86-2
US / Canada	ETL, FCC, ISED, TSCA, CONEG Packaging, Proposition 65
EU / EEA / EFTA / UK	CE, UKCA, LVD, CB, EMC, RED, REACH, RoHS, Battery, WEEE, Packaging, POP, Ecodesign
Australia / New Zealand	RCM
Performance standards	ENERGY STAR®, HDMI

Purchasing information

Order number: SBID-GX165-V2	SMART Board® GX065-V2 interactive display with embedded OS
Order number: SBID-GX175-V2	SMART Board GX075-V2 interactive display with embedded OS
Order number: SBID-GX186-V2	SMART Board GX086-V2 interactive display with embedded OS
Optional accessories	See smarttech.com/accessories

Warranty

SMART limited equipment warranty	Terms and conditions and warranty upgrade options vary by region. Visit smarttech.com/warranty or contact your reseller for information
---	--

Cable requirements

HDMI	Certified premium high speed HDMI (18 Gbps) Maximum length: 23' (7 m)
USB 2.0	USB 2.0 certified Hi-Speed (480 Mbps) support Maximum length: 16' (5 m)
USB 3.0	USB 3.0 certified SuperSpeed (5 Gbps) support Maximum length: 9' (3 m)
USB Type-C	USB 3.2 Gen 1 certified SuperSpeed (5 Gbps) support Maximum length: 6' (2 m)
More information	See smarttech.com/kb/171861

³Product availability may vary by region.

This product has received additional certifications not listed here.

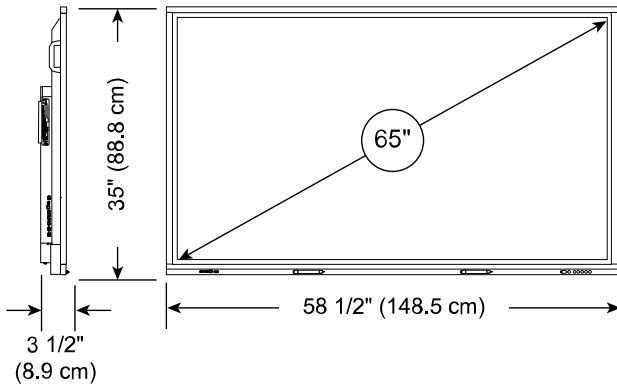
Installation, dimensions, and weights

Notes

- All dimensions $\pm 1/8"$ (0.3 cm). All weights ± 2 lb. (0.9 kg).
- Product ships upright.

SBID-GX165-V2

Dimensions



Weight

85 lb. (39 kg)

Shipping dimensions (including pallet)

63 1/2" \times 44 3/4" \times 6 1/4"
161.2 cm \times 113.5 cm \times 16 cm

Shipping weight

125 lb. (57 kg)

VESA mount

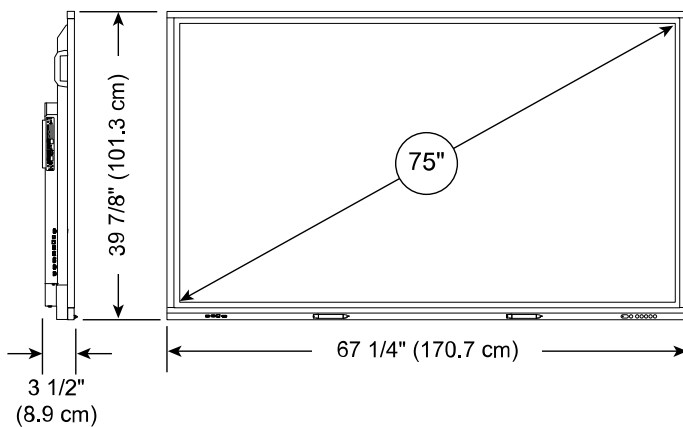
M8, 500 \times 400 mm

Handles

2

SBID-GX175-V2

Dimensions



Weight

113 lb. (51 kg)

Shipping dimensions (including pallet)

71 3/8" \times 49 1/2" \times 6 1/4"
181.4 cm \times 125.8 cm \times 16 cm

Shipping weight

163 lb. (74 kg)

VESA mount

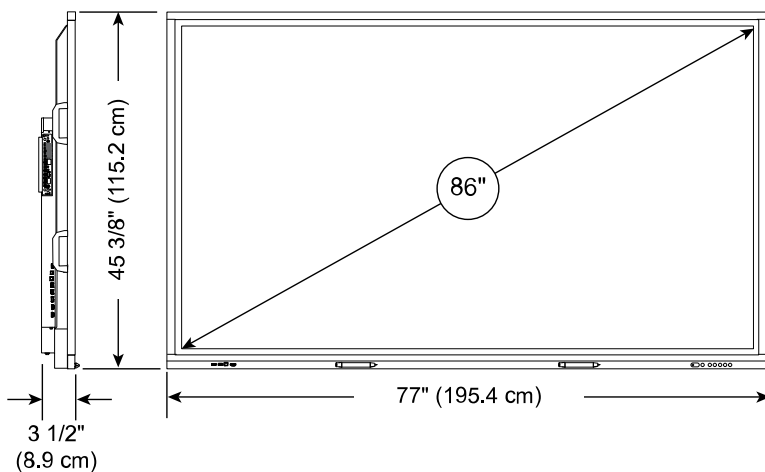
M8, 600 \times 400 mm

Handles

2

SBID-GX186-V2

Dimensions



Weight

146 lb. (66 kg)

Shipping dimensions (including pallet)

83 5/8" \times 55" \times 6 1/4"
212.3 cm \times 139.8 cm \times 16 cm

Shipping weight

210 lb. (95 kg)

VESA mount

M8, 800 \times 400 mm

Handles

4