

Features

- Dual 8" polypropylene cone woofers
- Large port area for extended low-frequency performance
- Dual chamber ported bandpass cabinet
- Defeatable passive 120 Hz low-pass filter with impedance compensation
- 250 watts continuous power handling, 700 watts peak
- 70/100V multitap transformer with 8 ohm bypass
- Yoke mount and flying hardware included
- Marine grade plywood construction



The AcousticDesign Series of installation loudspeaker products from QSC expands with the new AD-S28Tw surface mount subwoofer system. Designed to supplement audio systems by adding low-frequency extension, the new AD-S28Tw is acoustically matched to the entire AD Series. Rated for 250 watts continuous power handling and able to take up to 700 watt peaks, the AD-S28Tw is a great complement to any of the ceiling-mount or surface-mount AD Series models.

The dual 8" woofers are equipped with polypropylene cones for protection in humid environments. The bandpass enclosure features two chambers. One chamber is completely sealed, while the other chamber features a large port. The bandpass design allows for tight precise bass with extension down to 36 Hz. This highly efficient design produces a 1W at 1m sensitivity of 94 dB SPL. The AD-S28Tw has a built-in passive low-pass filter set at 120 Hz.

The marine grade plywood enclosure is built to the highest standard to provide exceptional resistance to high humidity. The zinc-plated steel grille has a black foam backing, molded ABS endcaps and a rotatable logo. On the rear of the enclosure is the input cup with a hinged door to conceal the controls and input connections. Input and output nickel plated screw terminals accept wiring from 18 AWG (1.02 mm) to 12 AWG (2.053 mm). Two rotary switches can be found in the input cup. One switch selects between the 70V/100V transformer taps, while the other switch enables or disables the internal passive low-pass filter.

The AD-S28Tw can be deployed in a number of ways. With the included rubber feet attached, the subwoofer can be floor or shelf-standing. Suspended installation is available with either the included forged-shoulder eyebolts and accessories or the included steel yoke.

Specifications

Configuration	Surface mount bandpass subwoofer, ported
Low-frequency Transducer	Dual 8" (200 mm) weather resistant, polypropylene cone woofers, rubber surround
Frequency Range ¹	
Frequency Response (-6 dB)	42 Hz – 165 Hz
Useable Frequency Range (-10 dB)	36 Hz – 205 Hz
Filter	120 Hz low-pass, passive, bypassable
Maximum Output ²	
Calculated Peak/Continuous Output	
2π (half space)	124 dB SPL / 118 dB SPL
4π (full space)	118 dB SPL / 112 dB SPL
Nominal Impedance	8Ω
Power Rating	
RMS Power Handling ³	250 W (2 hours IEC)
Recommended Max Amp Power	500 W RMS
Sensitivity	94 dB, 2.83 V, 1 m, half space (2π)
Transformers	
Type	Custom low distortion laminated core, wide bandwidth design
Taps	70V: 200, 100, 50, 25 W / 100V: 200, 100, 15 W / 8Ω selected by switch
Environmental	Exceeds Mil Spec 810 for humidity, salt spray and dust; IEC 60529 IP-X4 splash rating
Enclosure	
Material	Marine grade plywood, ABS, steel grille
Finish	Textured black paint
Grille	Painted steel
Connectors	4 position barrier strip; 2 in/2 out
Weight - Net/Shipping	43 lb (19.5 kg) / 55 lb (25 kg)
Mounting Hardware (included)	Black powder coated steel yoke with attachment hardware Black zinc coated forged shoulder steel M6 eyebolts Black powder coated steel shear plates with attachment hardware Black rubber feet with integral threaded bolt

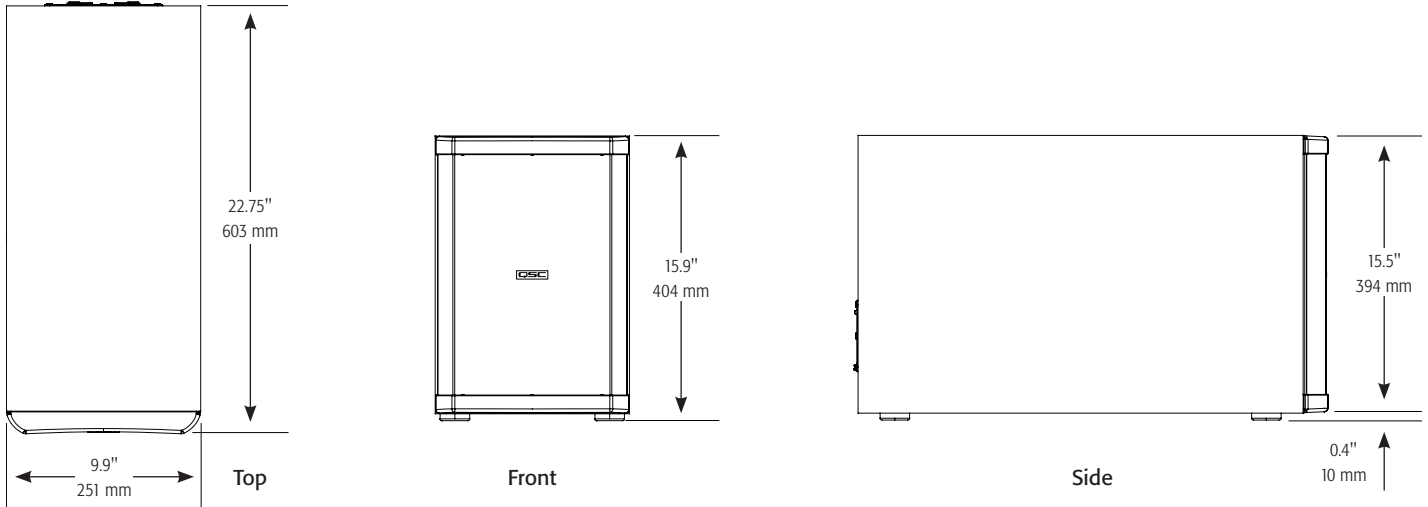
¹) All frequency ranges specified refer to measured free field response.

²) Calculated SPL at 1m, speaker operating at rated RMS power with pink noise within specified frequency range

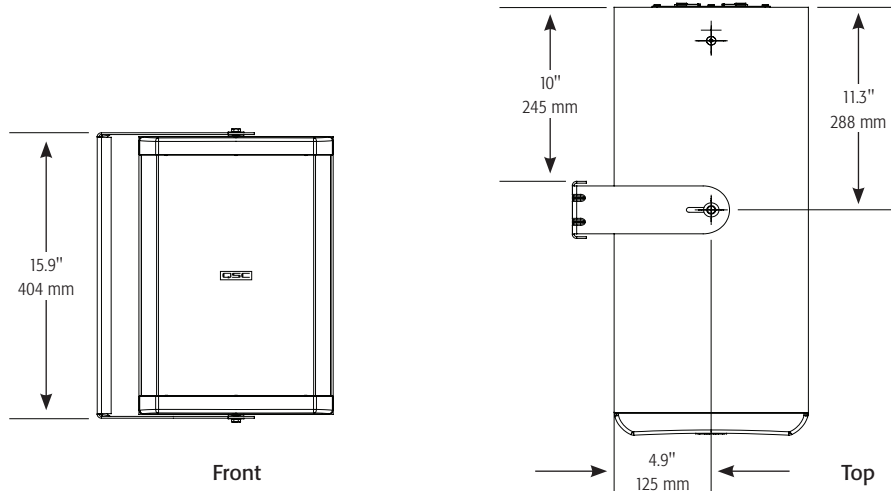
³) Maximum input power tested in accordance with IEC 268-5 recommendations, 50 Hz – 20 kHz band limiting, 6 dB signal crest factor.

AD-S28Tw

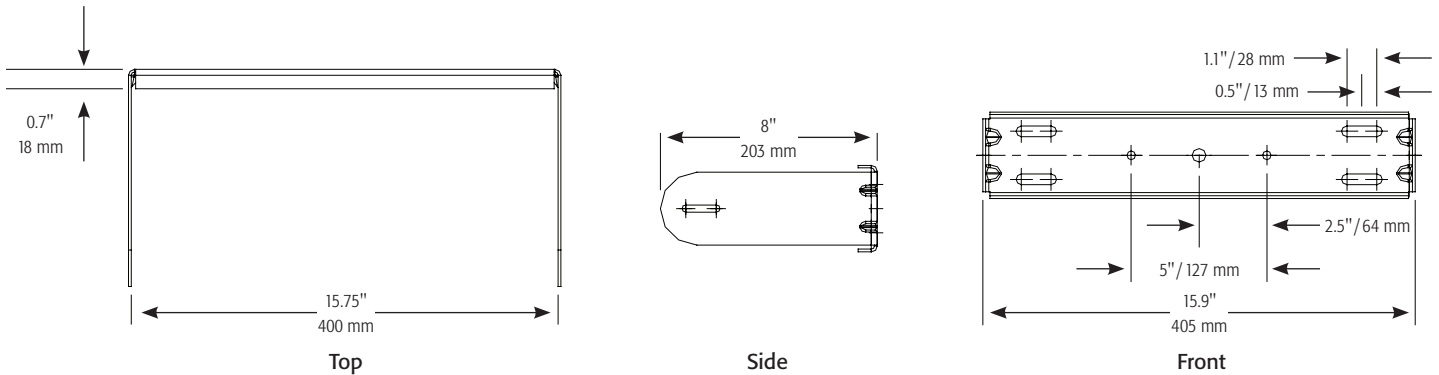
Dimensions



AD-S28Tw with Yoke Mount



Yoke Mount Only



Specifications subject to change without notice.

please recycle 

QSC and the QSC logo are registered trademarks of QSC Audio Products, LLC in the U.S. Patent and Trademark office and other countries. AcousticDesign is a trademark of QSC Audio Products, LLC. All other trademarks are the property of their respective owners. Patents may apply or be pending.

1675 MacArthur Boulevard • Costa Mesa, CA 92626 • Ph: 800/854-4079 or 714/957-7100 • Fax: 714/754-6174

AD-S28Tw Spec Sheet - 12/15/08

QSC
qscaudio.com