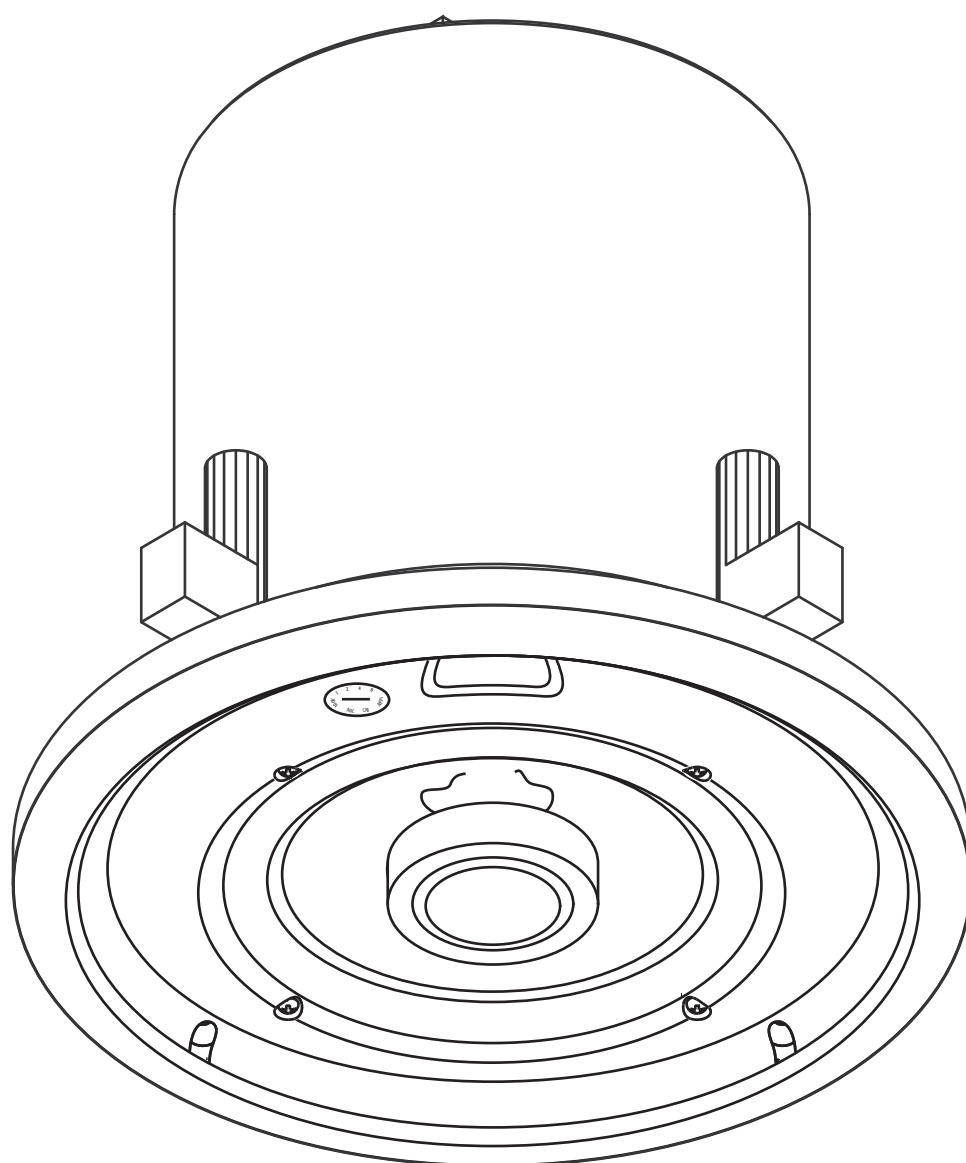


AcousticCoverage (AC)

QSC™

User Manual

Model: AC-C6T



TD-000473-00-A




EXPLANATION OF SYMBOLS

The term **"WARNING!"** indicates instructions regarding personal safety. If the instructions are not followed the result may be bodily injury or death.

The term **"CAUTION!"** indicates instructions regarding possible damage to physical equipment. If these instructions are not followed, it may result in damage to the equipment that may not be covered under the warranty.

The term **"IMPORTANT!"** indicates instructions or information that are vital to the successful completion of the procedure.

The term **"NOTE"** is used to indicate additional useful information.

 The intent of the lightning flash with arrowhead symbol in a triangle is to alert the user to the presence of un-insulated "dangerous" voltage within the product's enclosure that may be of sufficient magnitude to constitute a risk of electric shock to humans.

 The intent of the exclamation point within a triangle is to alert the user to the presence of important safety, and operating and maintenance instructions in this manual.



IMPORTANT SAFETY INSTRUCTIONS



- Read these instructions
- Keep these instructions.
- Heed all warnings.
- Follow all instructions.
- Do not use this apparatus near water.
- Clean only with a dry cloth.
- Do not install near any heat sources such as radiators, heat registers, stoves, or other apparatus (including amplifiers) that produce heat.
- Only use attachments/accessories specified by the manufacturer.
- Refer all servicing to qualified service personnel. Servicing is required when the apparatus has been damaged in any way, such as power-supply cord or plug is damaged, liquid has been spilled or objects have fallen into the apparatus, the apparatus has been exposed to rain or moisture, does not operate normally, or has been dropped.
- Do not use this apparatus in or near water or liquids.
- Do not submerge the apparatus in water or liquids.
- Do not use any aerosol spray, cleaner, disinfectant or fumigant on, near or into the apparatus.
- Do not block any ventilation opening. Install in accordance with the manufacturer's instructions.
- Keep ventilation opening free of dust or other matter.
- Adhere to all applicable, local codes.
- Consult a licensed, professional engineer when any doubt or questions arise regarding a physical equipment installation.

Maintenance and Repair

Advance technology, e.g., the use of modern materials and powerful electronics, requires specially adapted maintenance and repair methods. To avoid a danger of subsequent damage to the apparatus, injuries to persons and/or the creation of additional safety hazards, all maintenance or repair work on the apparatus should be performed only by a QSC authorized service station or an authorized QSC International Distributor. QSC is not responsible for any injury, harm or related damages arising from any failure of the customer, owner or user of the apparatus to facilitate those repairs.

Warranty

For a copy of the QSC Limited Warranty, visit the QSC Audio Products website at www.qsc.com

Para una copia de la Garantía Limitada de QSC, visite el sitio web de QSC Audio Products, en www.qsc.com

Pour obtenir une copie de la garantie limitée de QSC, visitez le site de QSC Audio Products à www.qsc.com

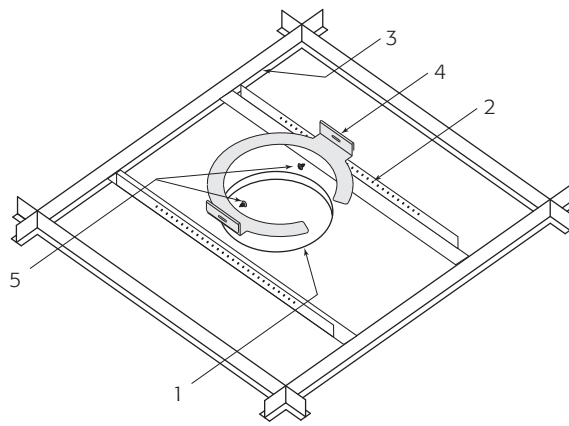
Besuchen Sie die Webseite von QSC Audio Products (www.qsc.com) um eine Kopie der beschränkte Garantie von QSC zu erhalten.

如果您想要QSC有限保修的複印本，請造訪QSC音頻產品的網站www.qsc.com

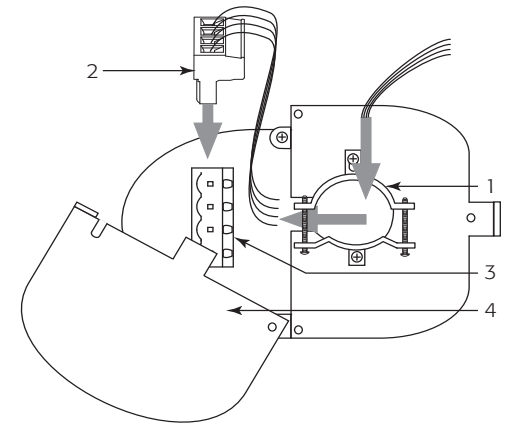
Prepare Ceiling

Refer to Figure 1.

1. Use the template provided to mark and cut a hole (1) in the ceiling where the loudspeaker is to be installed. For frame-construction ceiling, skip to "Wire the Loudspeakers".
2. Install two V-rails (2), one on each side of the hole, and supported by the suspended-ceiling support rails (3).
3. Install the C-ring (4) over the hole, using the V-rails as support. Make sure the clips on the C-ring are properly fitted over the V-rail.
4. Use sheet-metal screws (5) to secure the C-ring to the V-rails.



– Figure 1 –

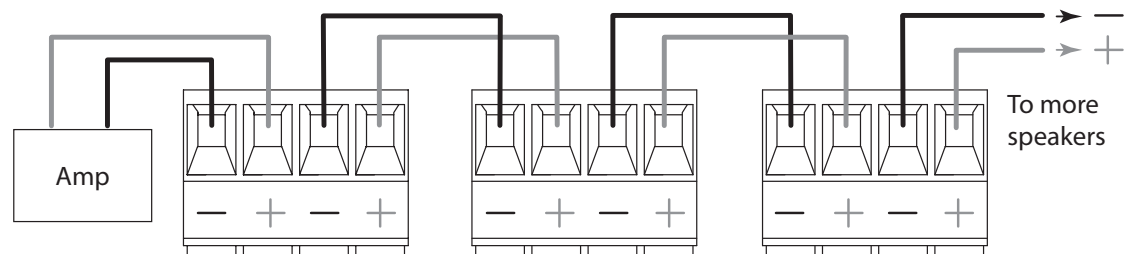


– Figure 2 –

Wire the Loudspeakers

Refer to Figure 2.

1. Pass the wires down through the conduit/stress-relief clamp. Leave enough wire for making connections. Carefully tighten the clamp over the wires, or over the conduit if it is used.
2. Wire the female Euro-style plug (1) as shown in Figure 3.
3. Plug the connector securely into the receptacle.
4. Slide the cover (4) over the connector and secure with the Phillips screw.



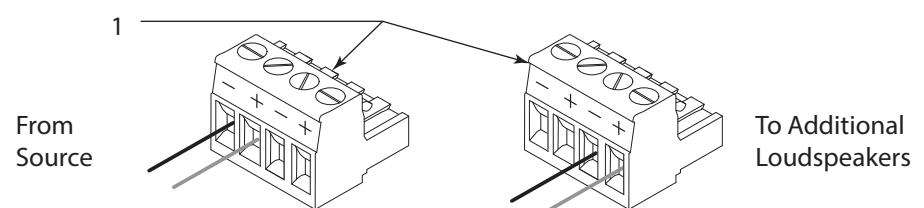
Seismic Safety

Refer to Figure 4.

1. Attach an appropriate safety line to the safety tab on the back of the connector cover, and to an appropriate part of the structure.



WARNING! Be sure to check and adhere to local building codes for seismic requirements. If in doubt, consult an appropriate engineer.



– Figure 3 –

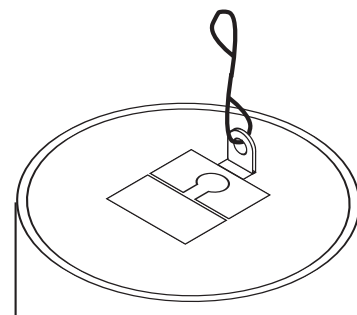
Mount the Loudspeaker

Refer to Figure 5.

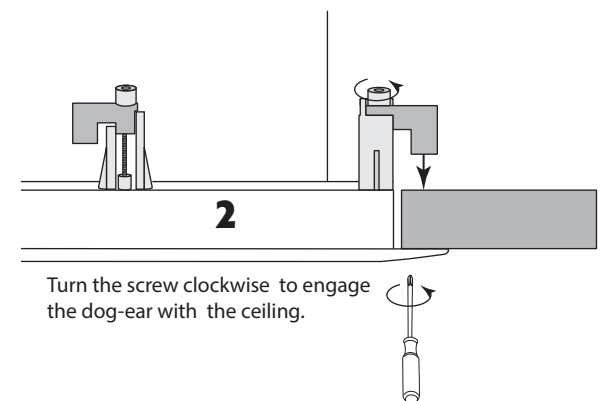
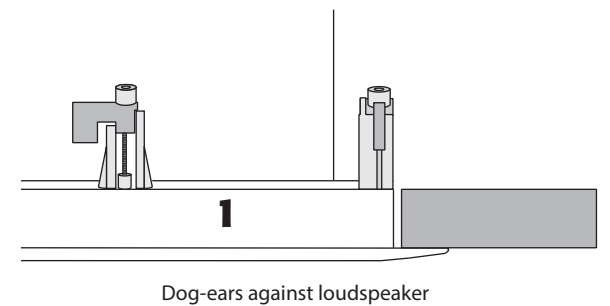
1. Make sure all of the dog-ears are up against the side of the metal loudspeaker housing.
2. Slide the Loudspeaker Housing up through the hole into the ceiling.
3. Use a Phillips screwdriver to tighten each of the four dog-ear screws. As you tighten the screws, the dog-ears swing away from the housing and over the ceiling. Be sure all dog-ears are properly positioned over the ceiling.



CAUTION! Do not overtighten the dog-ear screws!



– Figure 4 –

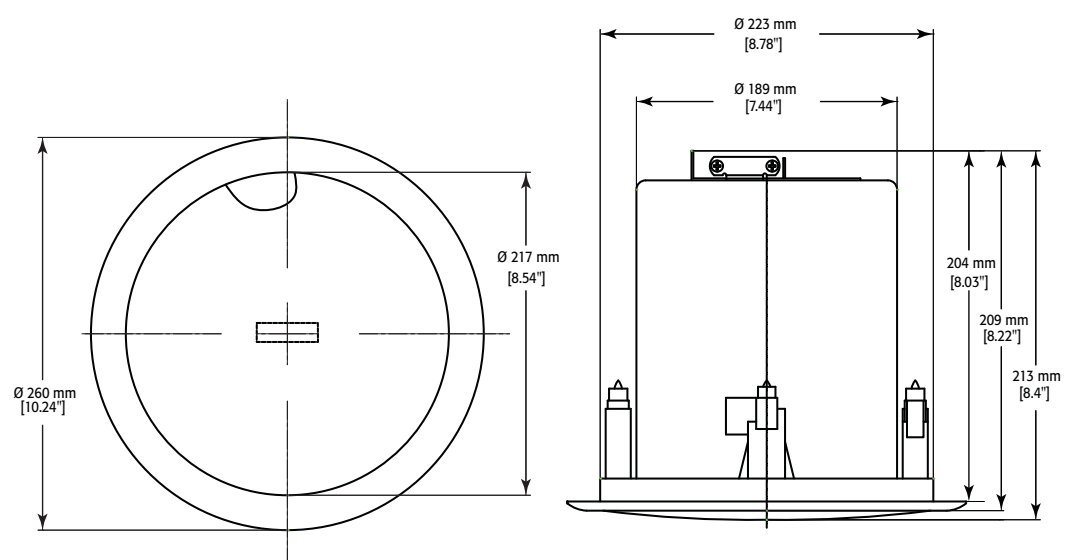


– Figure 5 –

Specifications

AC-C6T	Specification
Transducer	152 mm [6 in.] Polypropylene cone with rubber surround 22 mm [0.86 in.] Silk dome tweeter, coaxially mounted
Rated noise power [rms] ⁽¹⁾	30 W
Nominal Impedance	8Ω
Transformer Taps	70V: 30, 15, 7.5, 3.75, 1.875 W 100V: 30, 15, 7.5, 3.75 W 8Ω Bypass
Effective frequency range ⁽²⁾	65 Hz – 20 kHz
Rated coverage ⁽³⁾	110° conical
Sensitivity ⁽⁴⁾	89 dB
Maximum continuous SPL ⁽⁵⁾	104 dB
Maximum peak SPL ⁽⁵⁾	110 dB
Net weight	3.42 kg [8 lb]
Product dimensions (Diameter x Height)	Ø 260 x 213 mm [Ø 10.24 x 8.4 in.]
Shipping weight	8.85 kg [20 lb] (pair packed)
Shipping dimensions (H x W x D)	305 x 619 x 305 mm [12 x 24.4 x 12 in.]

- 1 AES2-1984 noise signal for 2 Hrs, 8Ω
- 2 Half-space, -10 dB from on-axis sensitivity
- 3 -6 dB from on-axis, 500 Hz–5 kHz
- 4 Half-space, on-axis, 2.83V, 1 m
- 5 Calculated from rated noise voltage and sensitivity



– Figure 6 –



Mailing Address:

QSC Audio Products, LLC
1675 MacArthur Boulevard
Costa Mesa, CA 92626-1468 USA

Telephone Numbers:

Main Number: (714) 754-6175
Sales & Marketing: (714) 957-7100 or toll free (USA only) (800) 854-4079
Customer Service: (714) 957-7150 or toll free (USA only) (800) 772-2834

Facsimile Numbers:

Sales & Marketing FAX: (714) 754-6174
Customer Service FAX: (714) 754-6173

World Wide Web:

www.qsc.com

E-mail:

info@qsc.com
service@qsc.com
tech_support@qsc.com