

# neat.bar pro



## Go up a notch.

Neat Bar Pro packs a stack of tech into a simple and elegant device. Capable of driving three large screens, it allows you to enjoy an incredibly immersive higher-quality people and content experience throughout any meeting space. Neat Bar Pro is especially ideal for large meeting spaces as it incorporates two extreme resolution cameras and an advanced image depth sensor that combined deliver 16x zoom, so you're able to see everyone in full close-up, no matter where they are in the room.



## Hear and be heard.

Neat Bar Pro is bursting with audio power, thanks to a woofer with two opposing drivers for vibration cancellation and three full-range speakers, which produce direct stereo sound throughout any room.

An advanced pyramid-shaped 16x microphone array ensures clear vocal pick-up, while Neat Audio Processing means no garbled 'double talk' issues or problems with background noise.

## Reach further. Get closer.

Neat Bar Pro is especially ideal for bigger meeting spaces as its camera configuration incorporates a telephoto and wide-angle lens and an image depth sensor which combined deliver 16x zoom.

With lightning-fast image processing, Neat Bar Pro can detect, enlarge, and follow all in-room participants in full close-up, no matter where they're positioned, resulting in more lifelike engagement.



## Simple set-up.

Everything you need is in the box, including a screen mount, making it easy for anyone to install and set up. Just plug in the two cables, and Neat Bar Pro automatically pairs with Neat Pad, our dynamic controller and scheduler, which comes as a package with Neat Bar Pro. Both Neat Bar Pro and Neat Pad can be connected wired or wirelessly to your network, so you can seamlessly share audio and visual content wirelessly or via an HDMI cable.



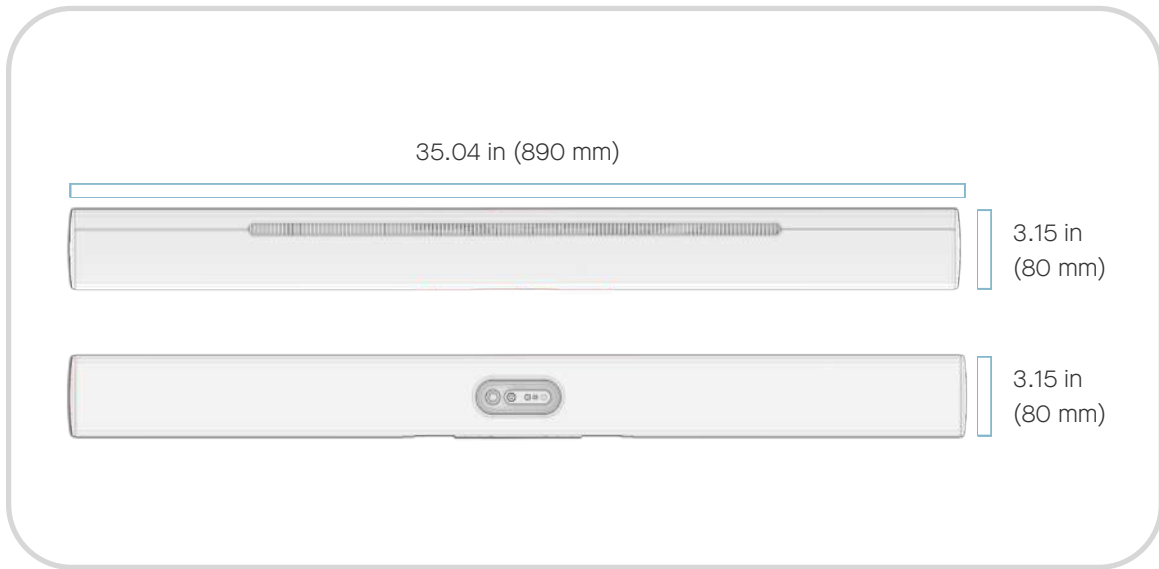
## Audio extensible.

Neat Bar Pro will be audio extensible, too, giving you the option of connecting it to your existing AES 67 compatible systems. Finally, if you wish, you can deploy extra Neat Pad controllers throughout large rooms, empowering additional people to start a meeting, tap mute and more, or add Neat Pad schedulers to cover all entrances as well.

Neat removes complexities and threats thanks to our secure, single-purpose hardware devices. Hence, no stressing about passwords and patches. Plus, you can install all the latest upgrades with just one click.

Neat Bar Pro is available for pre-order now and will begin shipping on November 30, 2021.





## Neat Bar Pro

- Wake-up sensor (radar)
- Depth sensor (time-of-flight VGA 60° FOV)
- Orientation sensor (accelerometer)
- Ambient light sensor
- Temperature sensor
- Humidity sensor
- Air quality sensor
- Camera LED
- System LED
- Tripod mount compatible (1/4-20 UNC threads)
- Table stand, wall mount and screen mount

## Audio

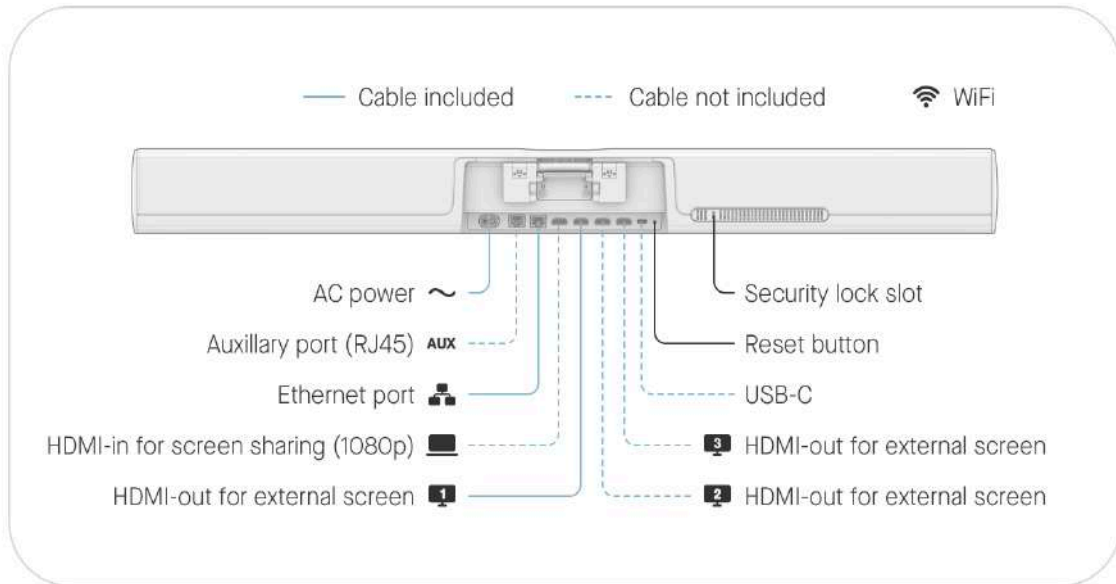
- Speakerbox for maximal tonal range with minimal distortion
- 3 full-range speakers primed for directional and stereo sound
- Subwoofer with two opposing drivers for vibration cancellation
- 6 tracking mics
- 16 microphones for beamforming arrays
- Hardware-accelerated audio processing
- Echo cancellation
- Noise suppression
- Automatic gain control
- Dereverberation

## Security

- Secure boot
- Security lock slot
- Communications are established with 256-bit TLS encryption
- Shared content is encrypted with AES-256 encryption
- The Zoom Rooms app is secured with App Lock Code
- As a native Zoom device, Neat Bar Pro supports all Zoom signaling and media encryption protocols.
- Read more about [Zoom security](#).

## Video

- Pro 100 MP camera system with wide and tele-cameras
- Wide camera: 50 MP, *f*/2.8 aperture, 113° horizontal field of view
- Tele-camera: 50 MP, *f*/1.8 aperture, 70° horizontal field of view
- Hybrid zoom up to 16x
- Hardware-accelerated video encode and decode
- Distortion correction
- Noise reduction
- Chromatic aberration correction
- Automatic white balance and color correction
- People video resolution: Up to 1080p / 30
- Content video resolution: 720p / 60, 1080p / 30



## Electrical and environmental requirements

Built-in power supply  
 100 - 240 V AC, 50 Hz to 60 Hz  
 Ambient operating temperature: 32° to 95° F (0° to 35° C)  
 Storage temperature: 5° to 149° F (-15° to 65° C)  
 Relative humidity: 20% to 80%

## Size and weight

Width: 35.04 inches (890 mm)  
 Height: 3.15 inches (80 mm)  
 Depth: 3.15 inches (80 mm)  
 Weight: 6.83 pounds (3.1 kg)

## What you'll need

Subscription service with Zoom or Microsoft Teams (\*\*)  
 Display with HD capability or better  
 Internet connection

## Networking and Ports

WiFi  
 Ethernet  
 AC power (internal power supply)  
 USB-C for input when connected to a touch screen  
 3x HDMI out for external screens  
 HDMI-in for screen sharing  
 Auxiliary port for third-party audio extensions (RJ45) (\*)

## What's in the box

Neat Bar Pro  
 HDMI cable (6.5 feet / 2 meters)  
 Ethernet cable (9.8 feet / 3 meters)  
 Power cable (9.8 feet / 3 meters)  
 Mount adapter, wall mount, screen mount and table stand

4x M8 screw (0.94 inches / 24 mm) for VESA mount  
 4x M6 screw (0.94 inches / 24 mm) for VESA mount  
 2x spacer (to secure parallel TV mount)  
 1x 5 mm hex key for the screen mount  
 1x 2 mm hex key for the mount adapter

2 additional screw bags for dual or triple screen setup

4x M8 screw (0.94 inches / 24 mm) for VESA mount  
 2x 4x M8 screw (0.94 inches / 24 mm) for VESA mount  
 4x M8 screw (0.94 inches / 24 mm) for VESA mount

\* Supported in a future software update

\*\* Needs to be purchased from Zoom or Microsoft

## Neat Pad

8-inch (diagonal) touch screen  
Anti-glare, anti-smudge coating  
Side LED Indicators  
2 microphones\*  
Wall mount & side mount  
Zoom Rooms software  
WiFi  
Power over Ethernet (PoE) or powered by included power injector

