

Neat Bar & Neat Pad - User Manual



neat.

Neat Bar - Collaboration System

Neat Bar is a compact and highly capable meeting device designed and engineered for Zoom.

The Neat Bar includes Camera, Speakers, Microphones and environmental sensors all in one compact design.

It's perfect for bringing superior-quality audio and video to your huddle, focus and meeting spaces.

Neat Bar comes with a dedicated Neat Pad Controller and optional Scheduling Display.



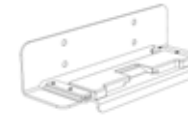
neat.

Simple Setup

All you need is in the box, including mounts, cables and clear instructions. So it's easy for anyone to install and set-up, above or below one or two screens.



Wall mount



Screen mount

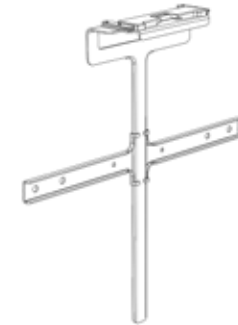


Table stand




Neat Bar

The Neat Bar comes with everything you need to get started, including cables, wall mount, screen mount and table stand.

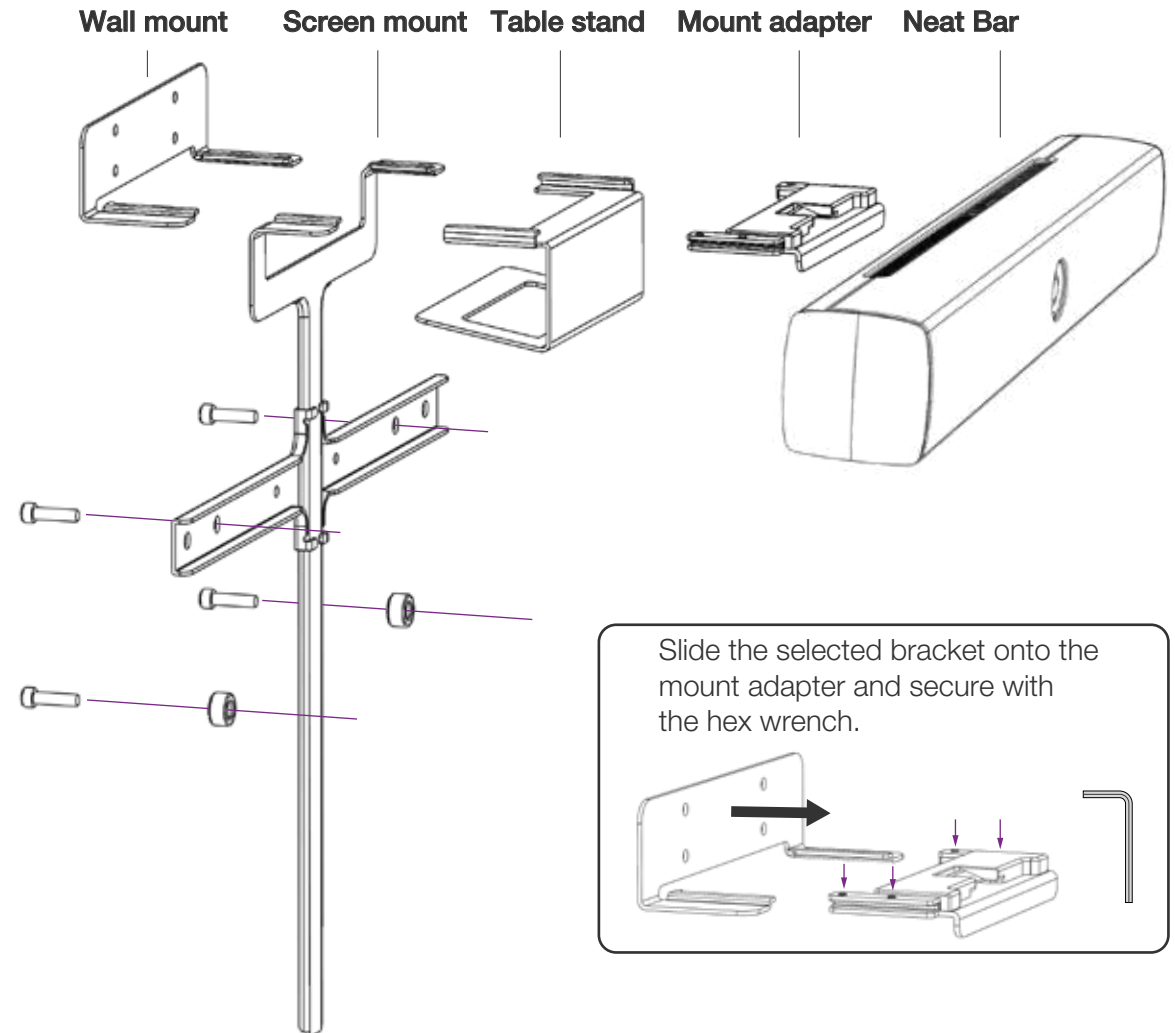
In the box

Neat Bar: All-in-one audio and video device
HDMI cable, 2m
Ethernet cable, 3m
Power cord, 3m
Wall mount, screen mount and table stand
Mount adapter
4x M6, 24mm Screws for VESA mounting
4x M8, 24mm Screws for VESA mounting
2x Spacers to secure parallel mounting of screen

 Screws for mounting to the wall are not included. Mounting on a wall should only be performed by qualified personnel in line with applicable facility and state regulations. The wall and the mounting equipment must safely withstand the load of the product.

neat.

Neat Bar



Neat Pad

The Neat Pad works as a Controller for the Neat Bar and can also be configured as a Scheduling Display for the Meeting Room. It comes with everything you need to get started, including cables and two different mounting options.

In the box

Neat Pad: 8-inch touch screen

2x Ethernet cable, 3m + 5m

PoE power injector

Side mount, wall mount and mount adapter

4x M4, 7,5mm screws to connect mount adapter to Neat Pad

3x M4, 4,7mm screws to connect wall mount to side mount

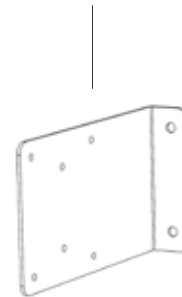


Screws for mounting to the wall are not included. Mounting on a wall should only be performed by qualified personnel in line with applicable facility and state regulations. The wall and the mounting equipment must safely withstand the load of the product.

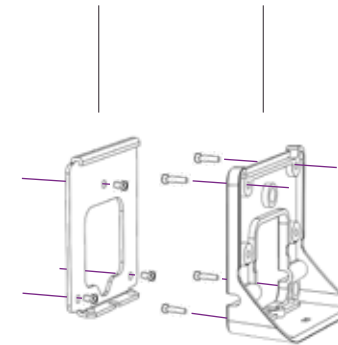
Neat Pad



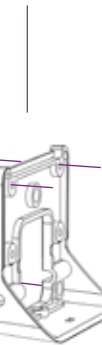
Side mount



Wall mount



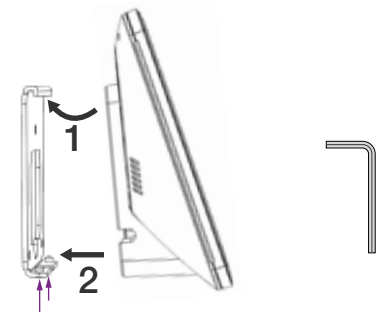
Mount adapter



Neat Pad



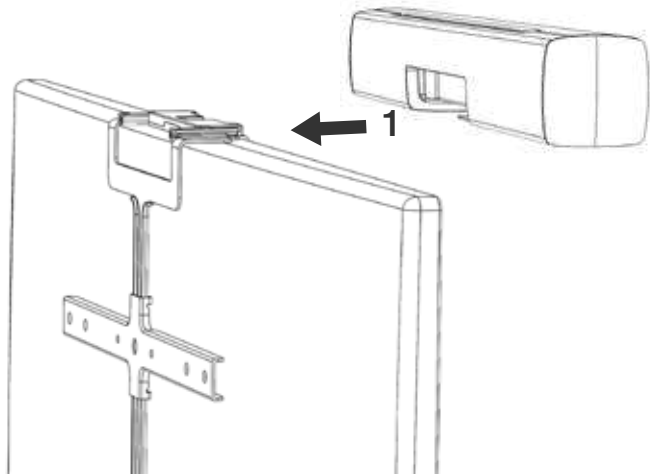
Hook the mount adapter onto the wall mount and secure with the hex wrench.



Mounting and Releasing

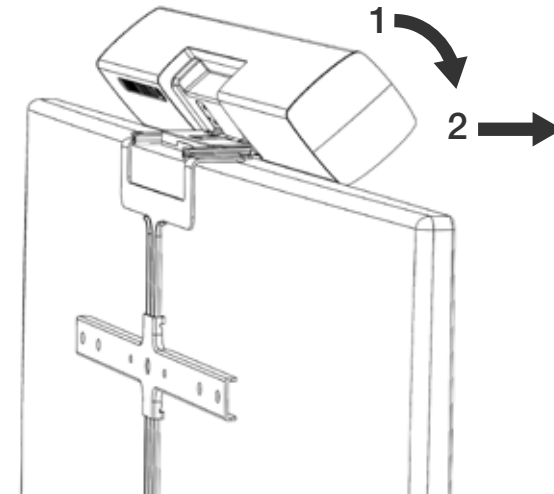
Mounting

Slide the Neat Bar onto the selected mounting option (1) until you hear a CLICK. Check if the Neat Bar is secure by carefully pulling it towards you.

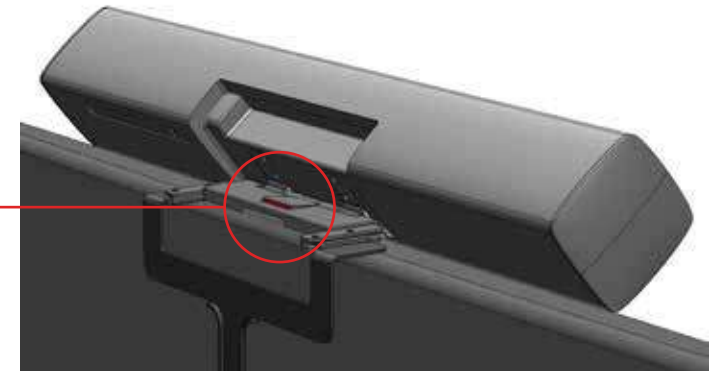
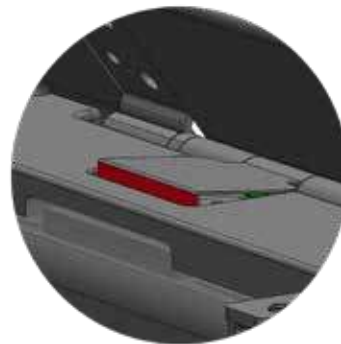


Releasing

To release the Neat Bar from the selected mounting option, tilt the unit to maximum tilt (1) and carefully slide the unit towards you (2).



Warning: Do not leave the Neat Bar in a max tilted position with the red indicator showing as it is not secured by the lock spring.



Size and Weight

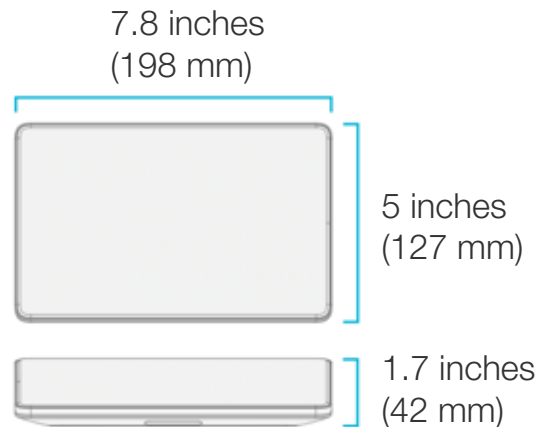
Neat Bar

Width: 21.9 inches (556 mm)
Height: 3 inches (76 mm)
Depth: 3 inches (76 mm)
Weight: 3.75 pounds (1.7 kg)



Neat Pad

Width: 7.8 inches (198 mm)
Height: 1.7 inches (42 mm)
Depth: 5 inches (127 mm)
Weight: 1.15 pounds (520 g)



Setup and Connectivity

Setup

Use the provided cables to set up the system.
Connect the cables according to the illustration.

Cables marked blue — are included
Cables marked in green — are optional and not required for basic use of the system.

Requirements for a complete setup


Internet connection
Zoom Room License
Display

Environmental Requirements

Ambient operating temperature:
32° to 95° F (0° - 35° C)
Storage temperature:
5° - 149° F (-15° - 65° C)
Relative humidity: 20% to 80%

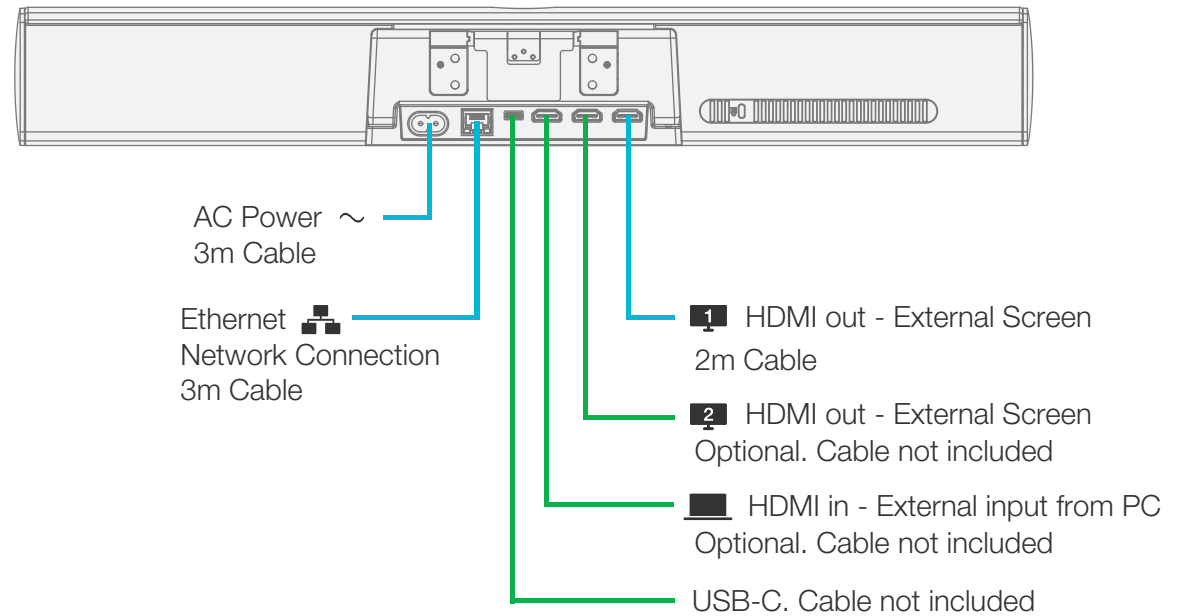
Additional Product Information

<https://neat.no/neat-bar/>

 The 5m Ethernet Cable provided is not to be used for in-wall installation. In-wall cable routing should only be performed by qualified personnel using appropriate equipment.

neat.

Neat Bar



Neat Pad

