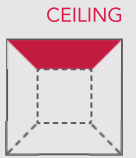
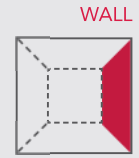


MONOPROJECTOR  
Col. ● Code 06080 ● Code 26080 ● Code 16080



15KG  
33LBS



# Monoprojector

Projector Mounts

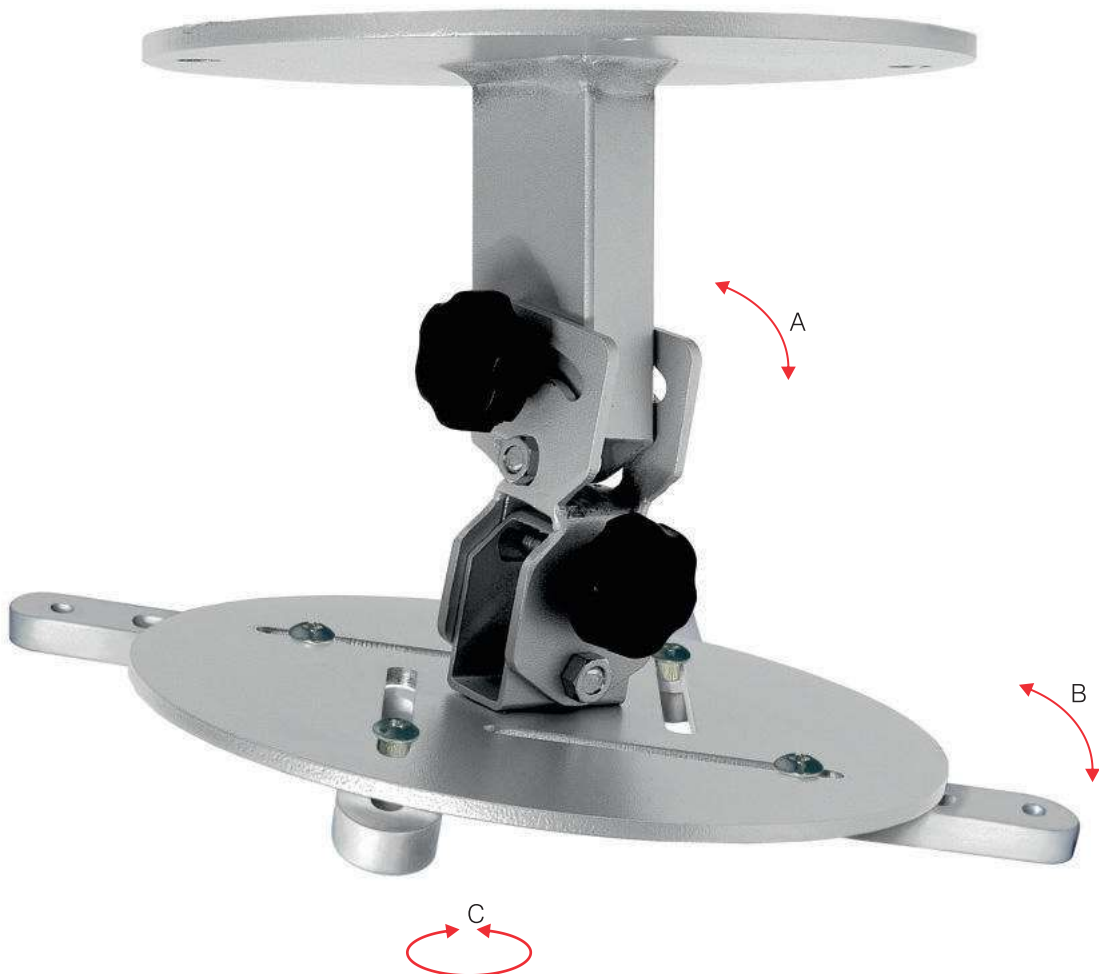


Supporto universale da soffitto, snodato per videoproiettori.

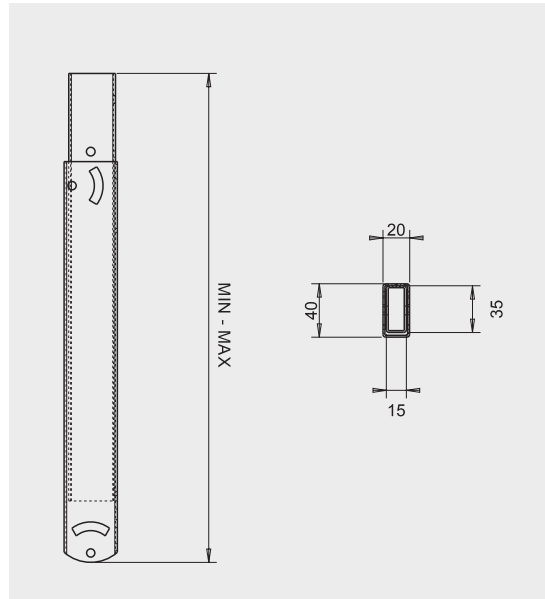
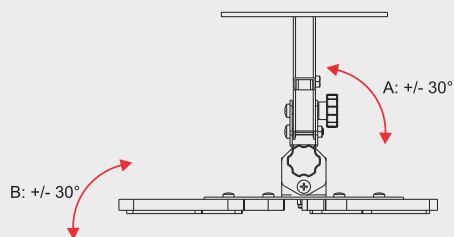
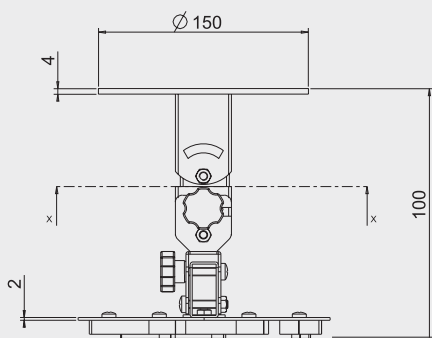
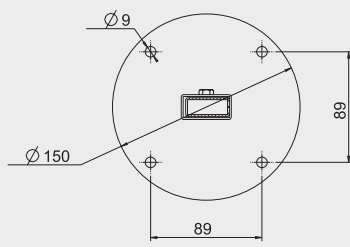
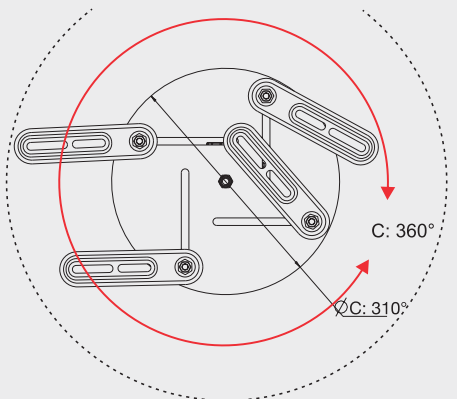
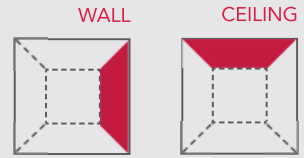


Adjustable ceiling bracket for video projectors.

Adatto per soffitto e parete / suitable for ceiling and wall.



Targeted to Professionals



## ACCESSORI

### EXTENSION 900-1700

col. ● 26083 ○ 16083 ● 06083  
REGOLABILE DA 900 A 1700 MM.

### EXTENSION 500-900

col. ● 26082 ○ 16082 ● 06082  
REGOLABILE DA 500 A 900 MM.

### EXTENSION 300-500\*

col. ● 26081 ○ 16081 ● 06081  
REGOLABILE DA 300 A 500 MM.

## ACCESSORY

### EXTENSION 900-1700

col. ● 26083 ○ 16083 ● 06083  
ADJUSTABLE FROM 900 TO 1700 MM.

### EXTENSION 500-900

col. ● 26082 ○ 16082 ● 06082  
ADJUSTABLE FROM 500 TO 900 MM.

### EXTENSION 300-500\*

col. ● 26081 ○ 16081 ● 06081  
ADJUSTABLE FROM 300 TO 500 MM.