



Scan for full manual

VIA GO2 Quick Start Guide For Installer



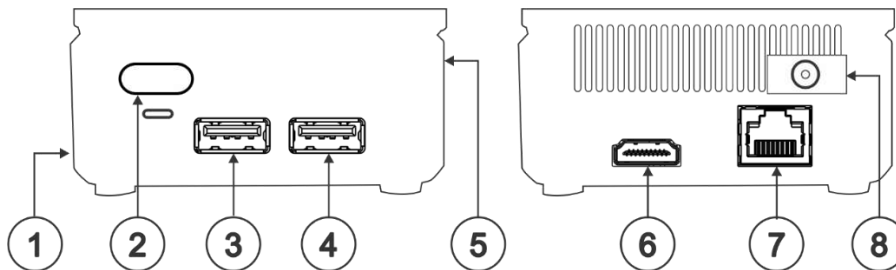
This guide helps you install and configure your VIA GO2 for the first time.

Go to www.kramerav.com/downloads/VIA_GO2 to download the latest user manual and check if firmware upgrades are available.

Step 1: Check what's in the box

- ✓ VIA GO2 Collaboration Device
- ✓ 1 Power supply (12V DC) with adapters for US, UK, and EU
- ✓ 1 VESA mounting bracket
- ✓ 1 VESA screw set
- ✓ 1 Quick start guide

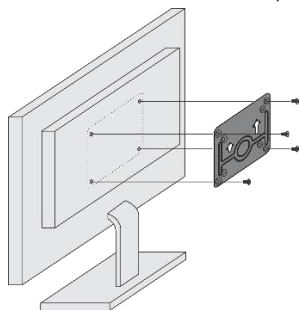
Step 2: Get to know your VIA GO2



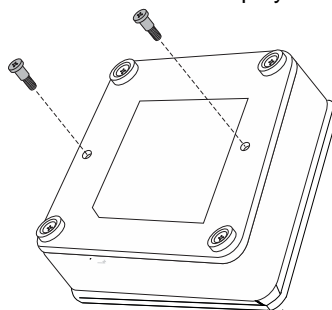
#	Feature	Function
1	Micro SD Card Slot	Not in use.
2	Power Button with LED	Press to power ON or turn OFF the device.
3	USB 3.0 Connector	Connect to a USB device, for example, a keyboard or mouse.
4	USB 2.0 Connector	Connect to a USB device, for example, a keyboard or mouse.
5	Lock Opening	Connect to a security locking cable.
6	HDMI™ Connector	Connect to an HDMI sink.
7	RJ-45 Connector	Connect to a LAN (default mode).
8	Power Connector	Connect to the 12V DC power supply.

Step 3: Install VIA GO2

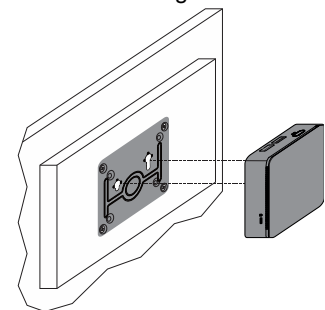
Place VIA GO2 on a flat surface, or mount on a wall or the back of a display using the included VESA mounting bracket:



1. Attach the VESA mounting bracket to the back of the display with 4 screws.



2. Fasten two screws to the bottom of VIA GO2.



3. Insert the screws on the bottom of VIA GO2 into the slots on the mounting bracket.



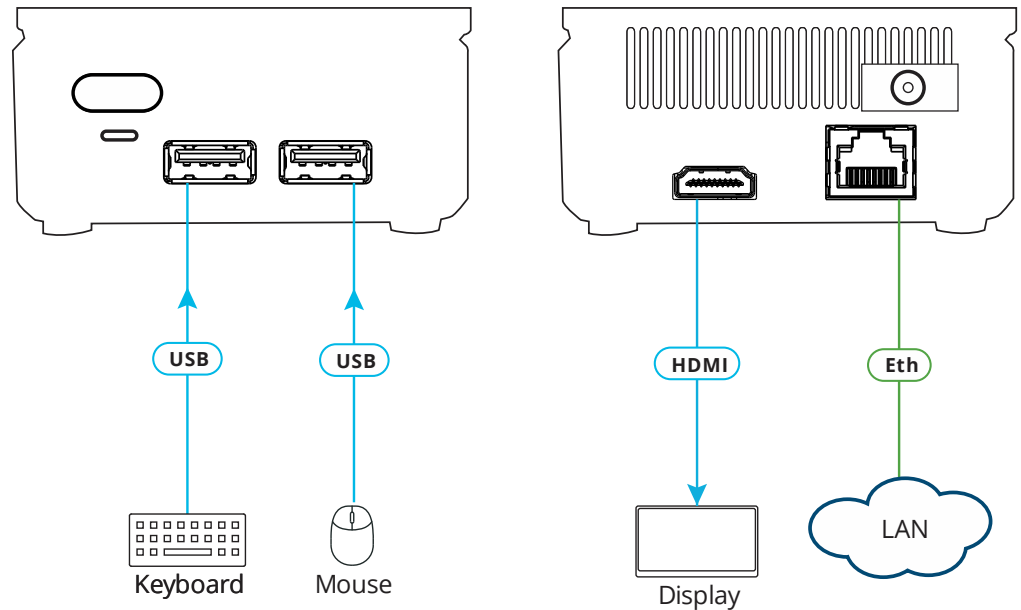
Step 4: Connect the inputs and outputs

Always switch OFF the power on each device before connecting it to your **VIA GO2**. For best results, we recommend that you always use Kramer high-performance cables to connect AV equipment to **VIA GO2**. Using third-party cables may cause damage!

1. Connect the keyboard and mouse.
2. Connect an HDMI display.
3. Connect to the LAN (default mode).



If you wish to use a Kramer active optical pluggable HDMI cable with your **VIA GO2**, contact your local Kramer office to assist in purchasing the correct cable.



Step 5: Connect the power

Connect the 12V DC power adapter to **VIA GO2** and plug it into the mains electricity.



- Caution:** There are no operator serviceable parts inside the unit.
 - Warning:** Use only the Kramer Electronics power adapter that is provided with the unit.
 - Warning:** Disconnect the power and unplug the unit from the wall before installing.
- See www.KramerAV.com for updated safety information.

Step 6: Configure VIA GO2

A wizard guides you through configuration. If you choose to skip the wizard, follow these steps for configuration:

General Settings Configuration

1. On the **Kramer VIA** dashboard, click **Features > Settings**. The settings login window appears.
2. Enter the User Name (default = su) and Password (default = supass) and click **Login**. The VIA Settings window appears.

The VIA Settings tabs are:

- LAN Settings – Configure network parameters (default = DHCP)
- System Controls – Manage your display and audio settings, set the time, select your language, etc.
- Wi-Fi – Activate and configure the built-in Wi-Fi capability.

3. When you have finished configuring settings, click **Reboot** to apply all settings.

The screenshot shows the VIA Settings login window. It has a dark background with the VIA logo in the top left corner. There are two input fields: 'User Name:' and 'Password:'. Below the input fields are two buttons: 'Login' (in blue) and 'Cancel' (in grey). A small 'VIA' logo is also visible in the bottom left corner.

Change to AP Wi-Fi Mode

Set up the built-in Wi-Fi module as a secondary Access Point (for guests).

1. On the Wifi tab, click the switch next to **Switch On or Off Wifi**. The switch turns green and additional Wi-Fi settings appear.
2. Click **AP Mode**, and enter a new name in the SSID field and a new password or use the default name and password.
3. Select a Wi-Fi channel for the Access Point.
4. Select **Enable Internet** (if the primary LAN network is connected to the Internet) OR **Activate Standalone Wifi** (to create an autonomous network without Internet access) and click **Apply**.

Switch to Client Wi-Fi Mode

Attach your **VIA GO2** as a client device to your main network:

1. On the Wifi tab, click the switch next to **Switch On or Off Wifi**. The switch turns green and additional Wi-Fi settings appear.
2. Click **Client Mode**, select an available network from the drop-down.
3. Enter the required password and click **Apply**.
4. Disconnect the LAN cable (if connected) before rebooting the device.



Scan for full manual

VIA GO2 Quick Start Guide For User

This guide helps you participate in a meeting using VIA GO2.

Go to www.kramerav.com/downloads/VIA_GO2 to download the latest user manual.



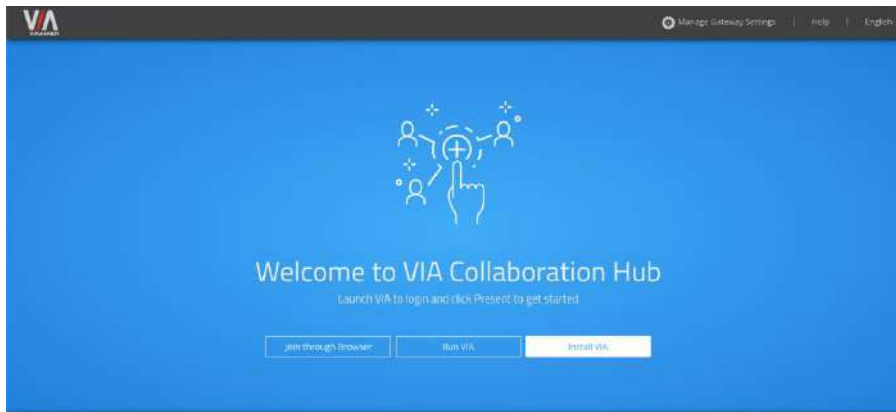
Step 7: Connect your personal device to the proper network

Connect your personal device to the same Wi-Fi network to which the VIA GO2 in your meeting room is connected.

Step 8: Run or Download the Kramer VIA app

For Mac or PC:

1. Enter the Room Name of the VIA GO2 device into your computer's browser. The Welcome page of VIA GO2 appears.



2. Click **Run VIA** to execute the **Kramer VIA** app without downloading it. (Intended for guests who are using VIA only temporarily.)
OR
Click **Install VIA** to download the **Kramer VIA** app onto your computer. (Intended for regular users of the VIA.)

For iOS or Android devices:

- Download and install the free **Kramer VIA** app from Apple App Store or Google Play or scan the QR code above.

Step 9: Join the meeting using Kramer VIA App

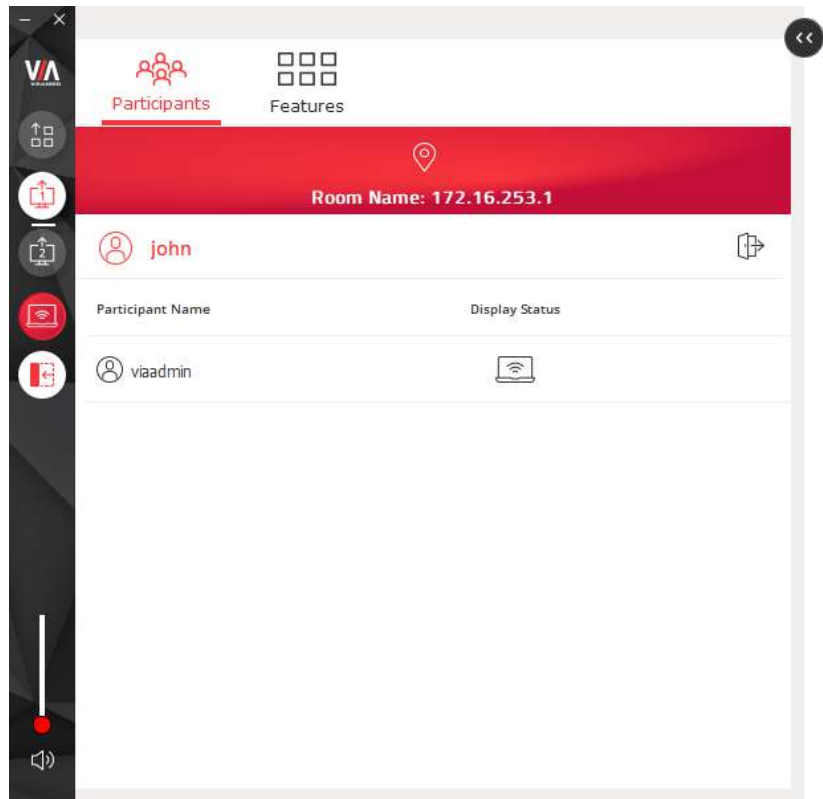
1. Open the Kramer VIA app and, on the Welcome to VIA window, click **Join** next to the name of the VIA device to which you want to connect. The Login window appears.
2. In the Nickname field, enter a name for your device. This name appears on the main display when you present content.
3. In the Room Code field, enter the 4-digit code as it appears on the main display (if enabled).
4. Click **Join**.
You are logged into the VIA meeting.
The VIA Dashboard (and taskbar icon for laptops) appears on your device screen.



Step 10: Using the VIA dashboard menu



- Tap the green button to present your screen to the meeting participants on the main display.
- Tap **Show Options > Features** to access **VIA GO2** features.
- Tap **Show Options > Participants** to see who else is connected.



Step 11: VIA GO2 Features

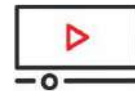
For a complete, updated list of available features go to: www.true-collaboration.com/products.html#.



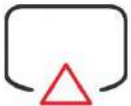
Wireless Connection



Powerful Content Security



Video Streaming



Mobile Mirroring



VIA Site Management (VSM)



Digital Signage



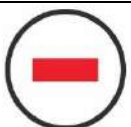
Calendar Integration



VIA Pad Compatible



Integrated YouTube Player



Do Not Disturb (DND)

The terms HDMI, HDMI High-Definition Multimedia Interface, and the HDMI Logo are trademarks or registered trademarks of HDMI Licensing Administrator, Inc.