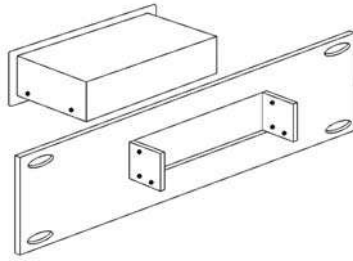


Rack Adapters

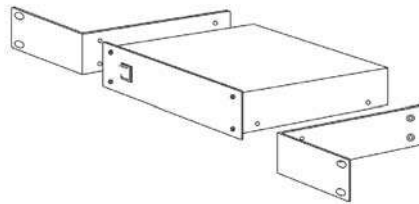
RK-10

For products:
VM-10AN, VS-6EII



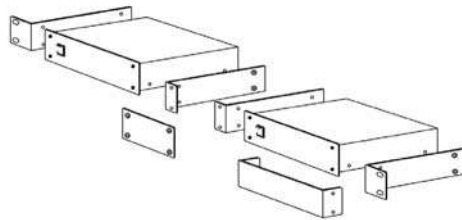
RK-MEDN

For products:
VA-15xl, VM-42, VM-5AD, VM-9S, VP-103, VP-31, VS-16N, VS-421.



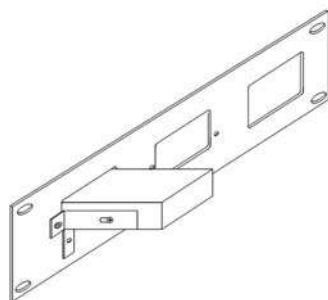
RK-50RN

For products:
FC-10, FC-10D, OC-1N, TP-1xl, TP-2xl, VA-11, VA-12, VA-50P, VM-2N, VM-30AV/B, VM-50AN, VM-50H, VM-50V, VM-50YC, VP-101, VP-2XL, VS-55A, VS-55V, VS-55YC.



RK-SM

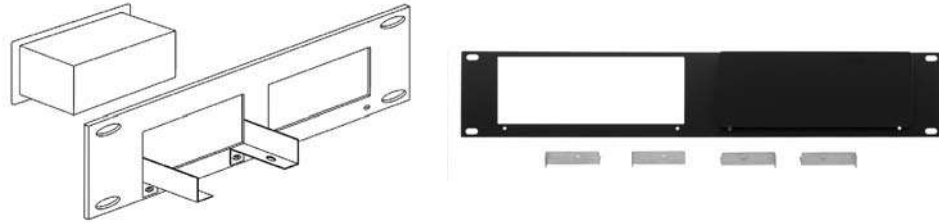
For products:
VM-3A, VM-3Sxl, VM-3Vxl, VS-33V.



Rack Adapters

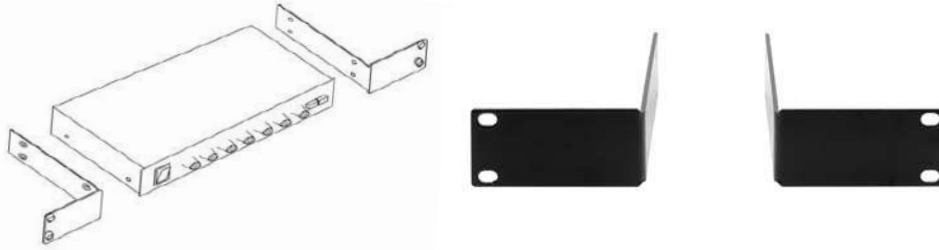
RK-4E/S

For products:
VS-4E, VS-4YC.



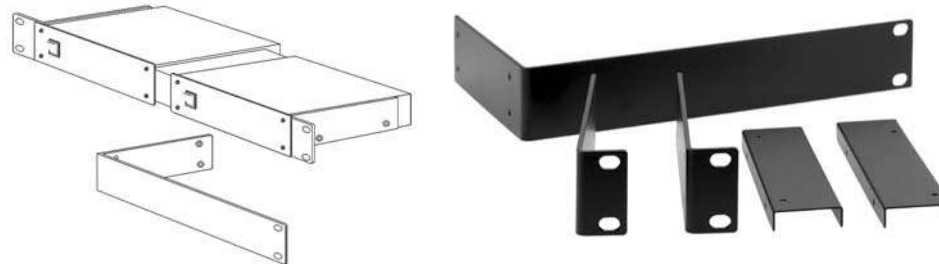
RK-40

For products:
SP-40.



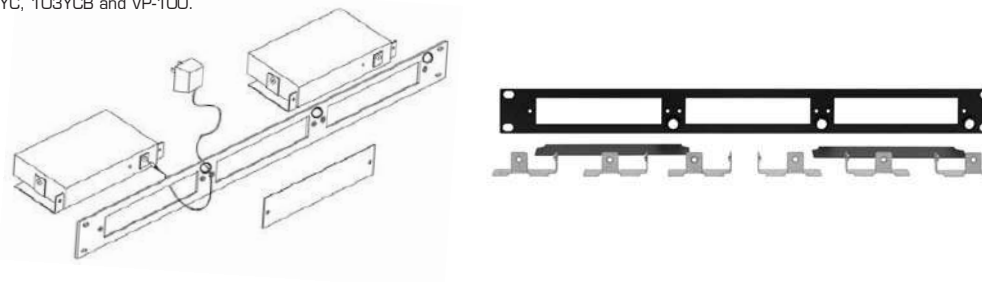
RK-80

For products:
811, 703xl, FC-14, FC-15, FC-16, FC-7501, FC-20, OC-2, TP-19/20, TP-100/200, TP-400FW, VA-100P, VM-100YC, VM-5S, VM-80A, VM-80V, VM-9YC, VP-2x2, VP-3xl, VP-32xln, VP-4xl, VP-5R, VP-5T, VP-5xl, VP-715, VP-716, VP-8, VS-24xl.



RK-T1

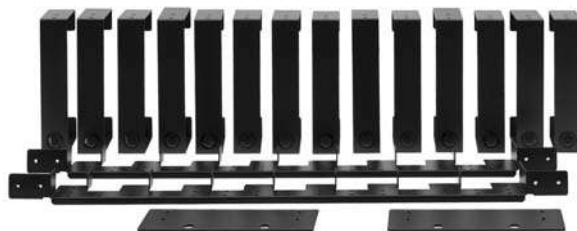
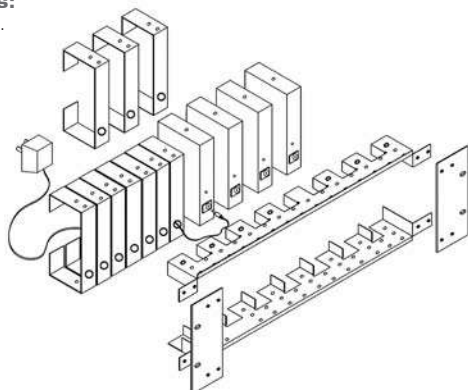
For products:
All Kramer Tools except 103YC, 103YCB and VP-100.



Rack Adapters

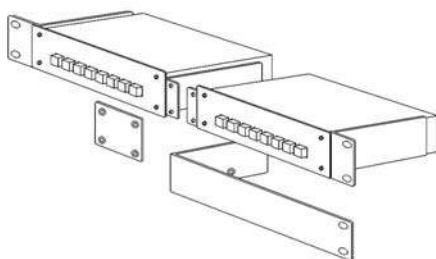
RK-T3

For products:
All Kramer TOOLS.



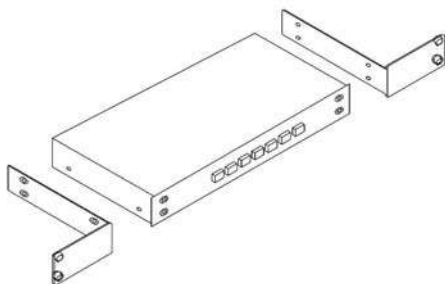
RK-81

For products:
VS-21, VS-21A, VS-41AV, VS-4x4FW, VS-81A, VS-81V, VS-81YC, VS-81FW.



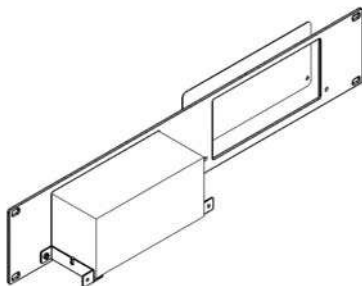
RK-81X

For product:
VS-81X, VP-41.



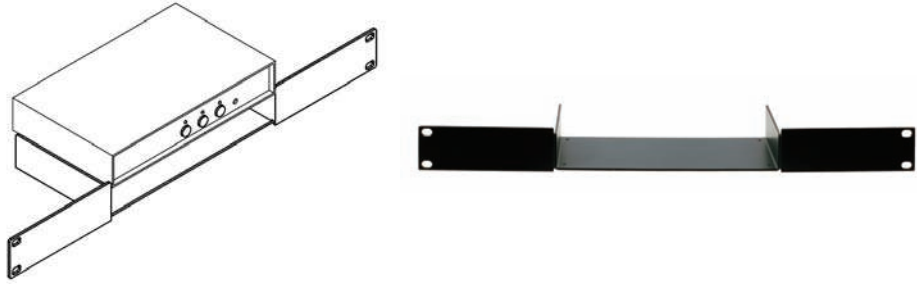
RK-4X

For product:
VS-4X.



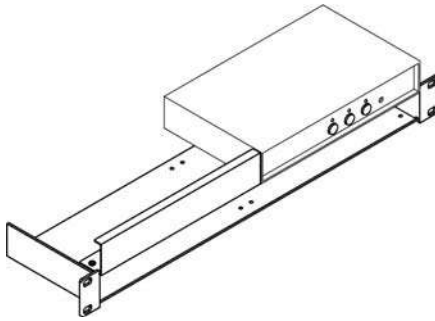
RK-701

For product:
VP-701SC.



RK-701 Double

For product:
VP-701SC.



RK-WP6

19 inch rack frame for 6 small wall plate adapters

NEW

