

The SC-651 is a compact, highly intelligible speaker suited to public address announcement applications. Its external speaker component finished with powder coating, and stainless steel screws ensure the unit's weatherproof capability.

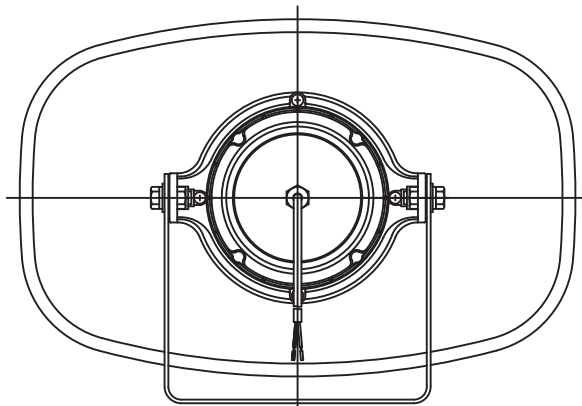


Article number SC-651

Specifications

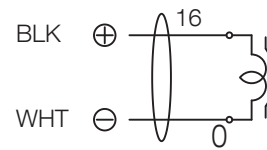
Dimensions (W x H x D)	430 x 297,5 x 327 mm
Dimensions (ø x D)	x 327 mm
Finish	Aluminium, ABS resin, powder coating, off-white (RAL 9010 or equivalent), dark brown,

Appearance

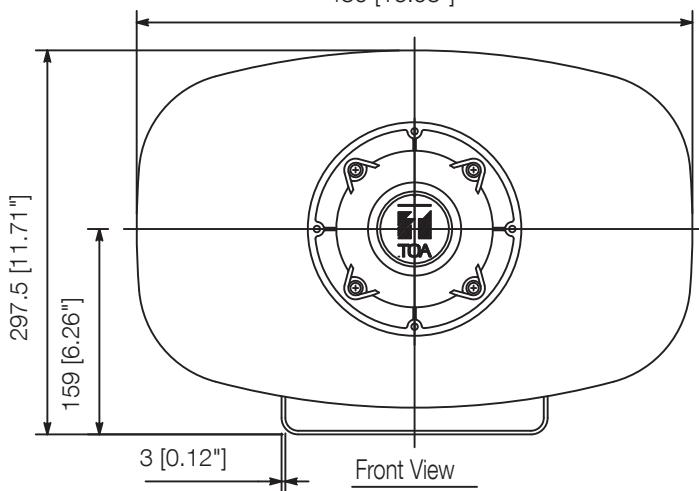


Rear View

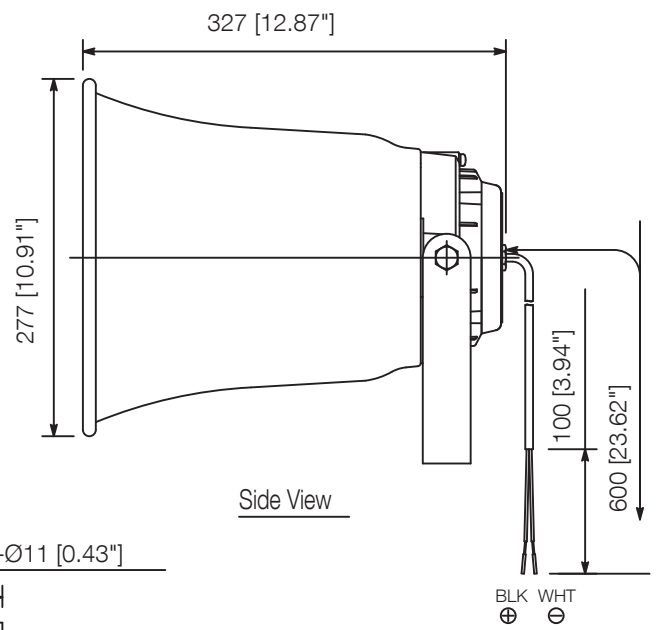
430 [16.93"]



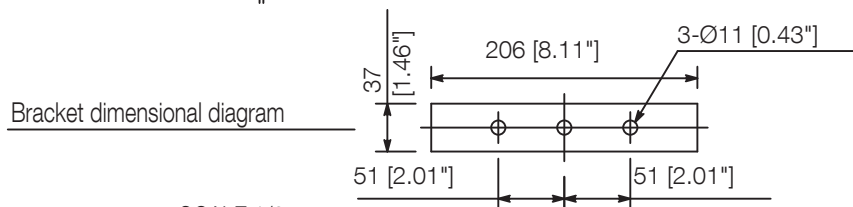
Wiring diagram



Front View



Side View



Bracket dimensional diagram

UNIT:mm

SCALE:1/6