

SC-615BS

PAGING HORN SPEAKER

The SC-615BS is the voice alarm certification product. This speaker can be a clearer announcement for voice alarm. The SC-615BS Paging horn speaker features an aluminum horn flare and stainless steel bracket for all weather durability. The SC-615BS unique oval shape horn enhances excellent speech clarity.



Article number SC-615BS
 Alternative products: VX-3004F, VM-3360VA,
 SX-2000SM

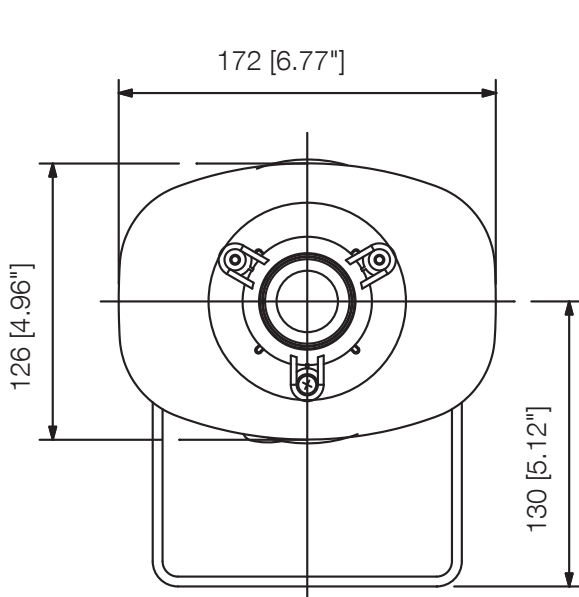
Specifications

Dimensions (W x H x D)	172 x 195 x 229 mm
Dimensions (ø x D)	x 229 mm
Finish	Aluminium, powder coating, off-white (RAL 9010 or equivalent), Reflector horn, trans case and terminal cover: ABS resin, off-white (RAL 9010 or equivalent) Bracket, screws and bolts: Stainless steel
Operating temperature	-20 °C to +55 °C (-4 °F to 131 °F)

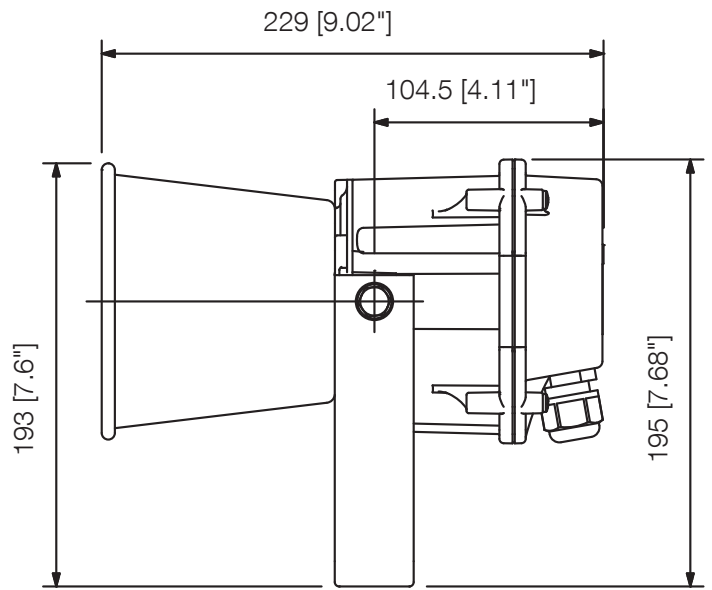
SC-615BS

PAGING HORN SPEAKER

Appearance



Front View



Side View