

PC-2369

CEILING MOUNT SPEAKER 6INCH 6W

Integrated with a speaker unit and panel, the PC-2369 Ceiling Mount Speaker is of all metallic construction and ideal for use in a voice alarm system. It features a spring clamp mechanism for easy speaker mounting to the ceiling. The input impedance can be easily changed by changing the tap position of the transformer. The push-in type input terminal block makes cable connections easy and allows bridge wiring.



Article number: PC-2369
 Alternative products: PC-1868W, PC-1869,
 PC-1869S

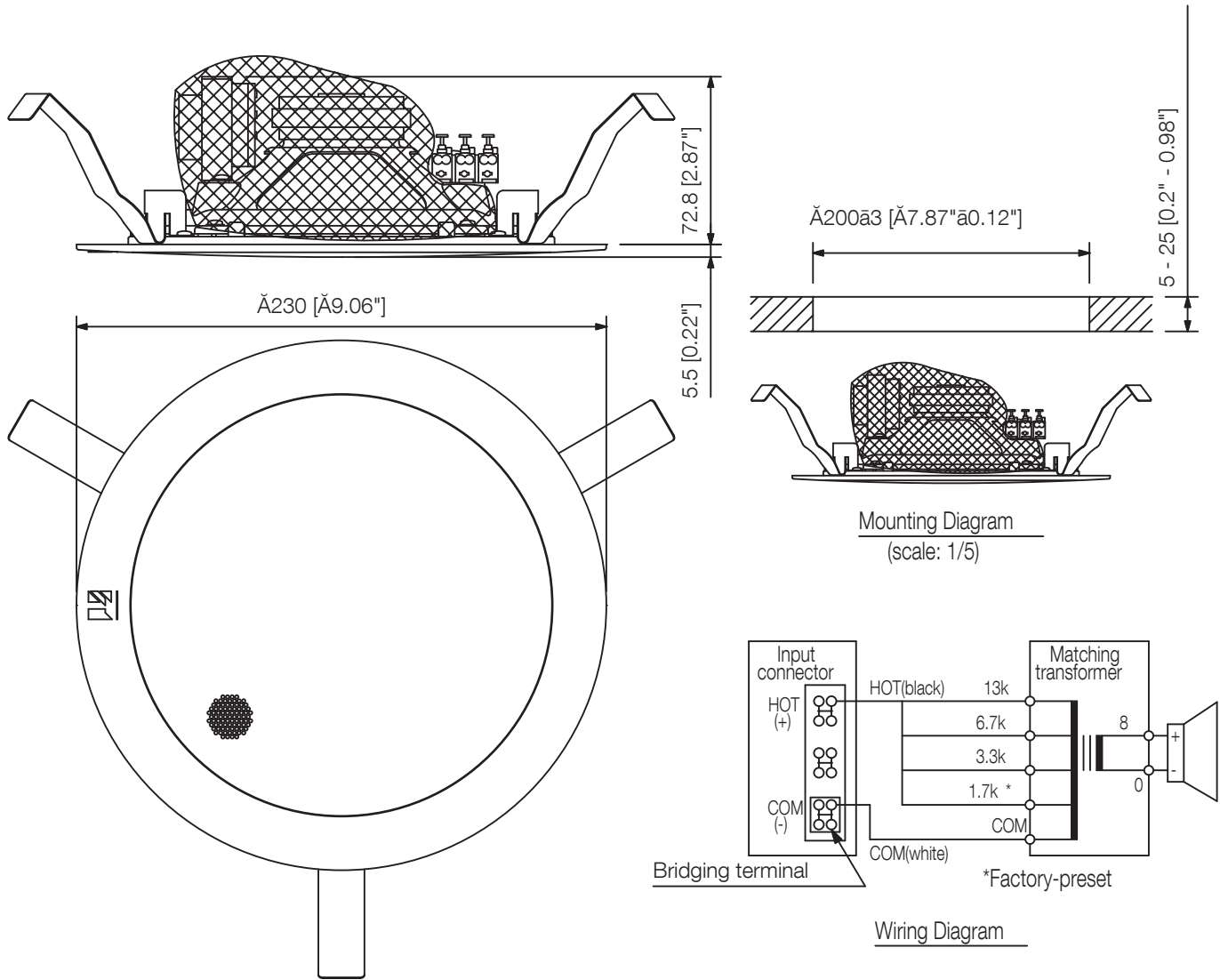
Specifications

Sensitivity (1#V, 1#m)	93 dB
Frequency response	45 Hz - 20 kHz
Rated input (high impedance)	6 W
Tappings	6 / 3 / 1.5 / 0.8 (100 V), 3 / 1.5 / 0.8 / 0.4 (70 V)
Speaker component	16 cm double cone-type
Finish	Steel plate, traffic white (RAL 9016 or equivalent),

PC-2369

CEILING MOUNT SPEAKER 6INCH 6W

Appearance



UNIT:mm SCALE:1/3