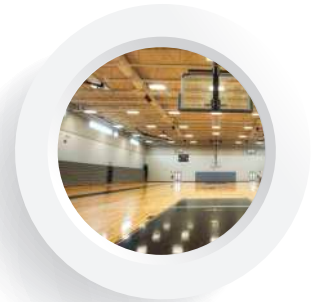
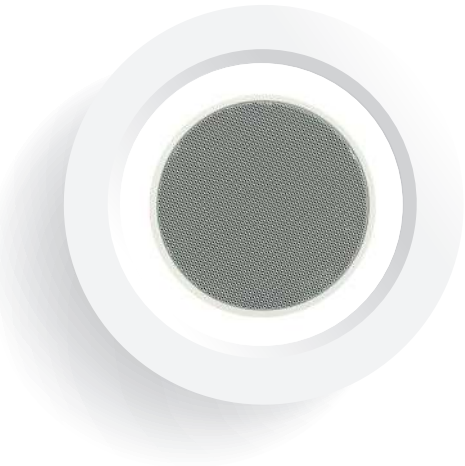
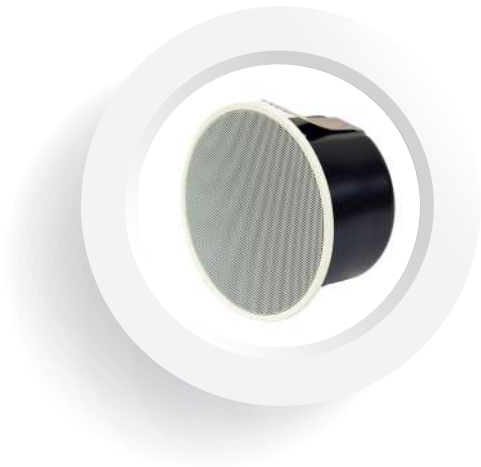




PC-1860 / PC-1860F PC-1860S / PC-2360

Ceiling Speaker



**Vast capacity and flexibility
for system expansion beyond
conventional system coverage.**

PC-1860 / PC-1860F PC-1860S / PC-2360

Ceiling Speaker

The ceiling speakers of the PC-series are suitable for announcements and BGM system use in high quality. The speaker's modern, flat design with small frame harmonizes with modern architecture and decor.

The PC-1860F speaker is equipped with a fire dome to protect and prevents fire from spreading through the ceiling.

Common Features

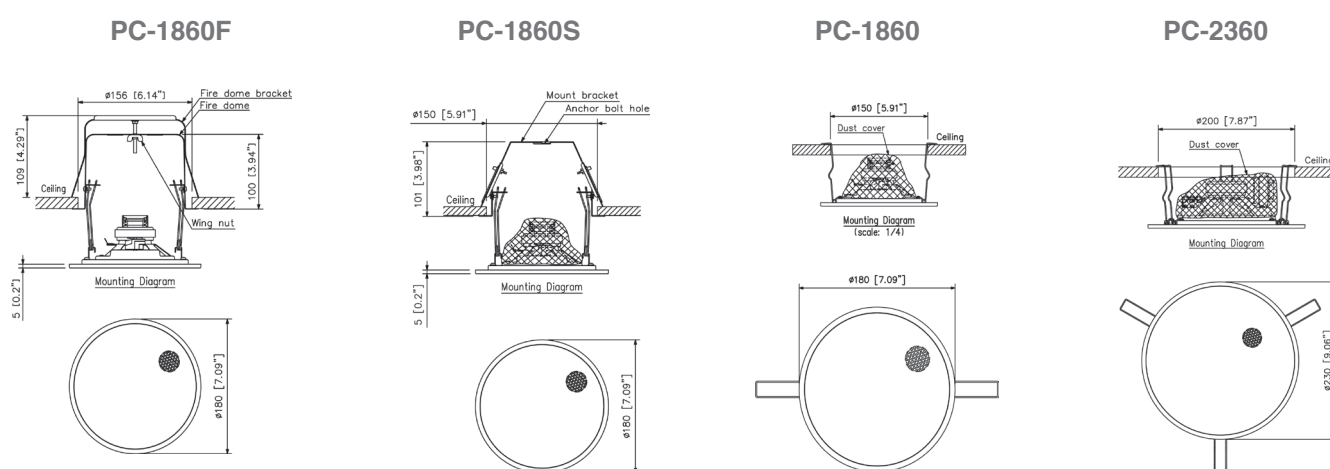
- 6W rated input
- Snap in cable terminal
- Flat front panel
- Quick and easy installation

PC-1860F / PC-1860S

- 12 cm speaker
- Mounting brackets (PC-1860S)
- Fire dome made of steel (PC-1860F)

PC-1860 / PC-2360

- Easy installation with spring catches
- 12/16 cm speaker
- Dust cover



Specifications

	PC-1860F	PC-1860S	PC-1860	PC-2360
Rated Input			6W (100V), 3W (70V)	
Tappings		6 / 3 / 1.5 / 0.8W (100V), 3 / 1.5 / 0.8 / 0.4W (70V)		
Sensitivity (1 W, 1 m)	95dB	94dB		
Frequency Response	170Hz – 20kHz	80Hz – 20kHz		60Hz – 20kHz
Mounting Hole Diameter	156 mm ±3mm	150 mm ±3mm (mounting bracket)	150 mm ±3mm	200 mm ±3mm
Speaker Component		5" cone-type		6" cone-type
Connection	Snap in terminal			
Colour	Traffic white (RAL 9016 or equivalent colour)			
Dimensions (ø x D)	180 x 105 mm	180 x 95,6mm	180 x 70 mm	230 x 76mm
Weight	1.0kg	0.75kg	0.56kg	0.74 kg

TOA Electronics Europe GmbH

www.toa.eu

The technical specifications may contain errors
and are subject to change without notice.

Printed in Germany (18012) L833TEEC351 QJ

We supply sound, not equipment.

www.toa.eu