



BT34

HOME CINEMA SPEAKER WALL / SPEAKER MOUNT

INSTALLATION GUIDE & PARTS LIST

This Pack Contains 1 Mount

mountlogic®
range

PLEASE KEEP THIS FOR FUTURE REFERENCE



FEATURES

- Designed for home cinema speaker mounts up to 5kg (11lbs)
- Features +/-90° tilt adjustment and full 360° swivel
- Can be ceiling or wall mounted
- Includes adaptors for single, dual point and keyhole fixings
- Suitable for speakers using M5, M6 and UNC 1/4" screws
- Distance between dual point fixings:
Min: 51mm (2") – Max: 67mm (2.6")
- Cover plate included for smart installation
- Simple installation with all mounting hardware included



CONTENTS

| | |
|--------------------------------|----|
| Installation Safety Notes..... | 2 |
| Parts List..... | 4 |
| Installation Instructions..... | 6 |
| Product Dimensions..... | 11 |
| B-Tech Contact Details..... | 12 |

INSTALLATION TOOLS REQUIRED

Crosshead / Flathead
screwdriver



Drill



8mm (5/16") masonry bit
or 3mm (1/8") wood bit



Pencil



B-TECH AUDIO VIDEO MOUNTS

www.btechavmounts.com

INSTALLATION SAFETY INSTRUCTIONS



CAUTION: This speaker mount is intended for use only with the maximum weights indicated. Use with speakers heavier than the maximum indicated may result in instability causing possible injury.

Do not attempt to install this product until all instructions and warnings have been read and properly understood. Please keep these instructions for future reference.

B-Tech International Limited, its distributors and dealers are not liable or responsible for damage or injury caused by improper installation, improper use or failure to observe these safety instructions. In such cases, all guarantees will expire.

General

Great care must always be taken during installation as most AV equipment is of a fragile nature, possibly heavy and easily damaged if dropped.

If you do not fully understand the instructions or are not sure how to install this product safely, then please consult a professional for advice and/or to install this product for you. Failure to mount this product correctly may cause serious injury or death both during installation and at any time thereafter.

Do not mount any AV equipment that exceeds the specific weight limit of the product you are installing. This weight limit will be clearly stated on each product and its packaging and will vary from product to product.

Product location

Please pay careful attention to where this product is located. Some locations are not suitable for installation.

If located in a public or frequently populated area ensure that the product is out of the immediate reach of people.

Fixing hardware

It is highly recommended that all fixing screws be used where supplied and that the purpose of all other fixing hardware is fully understood. In some cases more AV equipment fixing hardware will be supplied to accommodate different models of equipment and set up configurations.

The installer must be satisfied that any supplied fixing hardware is suitable for each specific installation. If any fixing screws or included hardware are deemed not sufficient for a safe installation then please consult a professional or your local hardware store.

Hazard limitation

When routing cables take advantage of any built in cable management features that the product might provide and ensure that all cables are tidy and secure. Check to see that any moving aspect of the product can do so unhindered by any cabling.

Some products have moving parts and the potential to cause injury through the crushing or trapping of fingers or other body parts.

Particular attention to the nature of moving parts is required especially when assembling installing and adjusting during set up.

Immediately after installations double-check that the work done is safe and secure. Double-check all necessary fixings are present and are of ample tightness.

It is recommended that periodic inspections of the product and its fixing points are made as frequently as possible to ensure that safety is maintained. If in doubt consult a professional AV installer or other suitably qualified person.

CS

Společnost B-Tech International Ltd. doporučuje provést instalaci tohoto produktu prostřednictvím odborného instalátora AV či jinak způsobilé osoby. Společnost B-Tech International Ltd, její distributoři a prodejci nenesou odpovědnost za škody nebo zranění způsobená nevhodnou instalací. Tento výrobek je nutno umístit do vhodné konstrukce a používat jen po uvedené maximální výšce.

DE

B-Tech International Ltd. empfiehlt, dass dieses Produkt durch einen qualifizierten AV-Techniker oder eine andere Person mit geeigneter Qualifikation installiert wird. B-Tech International Ltd, ihre Distributoren und Händler können nicht für durch fehlerhafte Montage verursachte Beschädigung oder Verletzung haftbar bzw. verantwortlich gemacht werden. Dieses Produkt muss auf eine geeigneten Untergrund montiert werden und darf nur bis zum angegebenen Höchstgewicht verwendet werden.

ES

B-Tech International Ltd. recomienda que un instalador de audio y video profesional u otra persona debidamente cualificada instalen este producto. B-Tech International Ltd, sus distribuidores y concesionarios no se hacen cargo ni se responsabilizan de ningún daño o lesión provocados por una instalación inapropiada. Este producto se debe montar en una estructura adecuada y se debe utilizar soportando solamente hasta el peso máximo indicado.

FR

B-Tech International Ltd. recommande de confier l'installation de ce produit à un installateur AV professionnel ou à une autre personne dûment qualifiée. B-Tech International Ltd, ses distributeurs et ses revendeurs ne sauraient être tenus responsables de tout dégât ou de toute blessure résultant d'une installation incorrecte. Ce produit doit être monté sur un support approprié et utilisé dans la limite du poids maximum indiqué.

IT

B-Tech International Ltd. consiglia di affidare l'installazione di questo prodotto a un installatore specializzato o ad altra persona adeguatamente qualificata. B-Tech International Ltd, i suoi distributori e rivenditori non accettano alcuna responsabilità nei riguardi di eventuali danni o infortuni causati da un'errata installazione. Questo prodotto deve essere fissato a una struttura idonea e utilizzato unicamente sino al peso massimo indicato.

NL

B-Tech International Ltd. adviseert om dit product te laten installeren door een professionele AV-instalateur of andere hiervoor gekwalificeerde persoon. B-Tech International Ltd, haar distributeurs en dealers zijn niet aansprakelijk of verantwoordelijk voor schade of letsel die is veroorzaakt door onoordeelkundige installatie. Dit product moet worden gemonteerd aan een geschikte constructie, waarbij het aangegeven maximum gewicht niet mag worden overschreden.

PL

Firma B-Tech International Ltd. zaleca, aby ten produkt był instalowany przez profesjonalnych instalatorów AV lub inny odpowiednio przeszkolony personel. Firma B-Tech International Ltd, jej dystrybutorzy i dealerzy nie ponoszą odpowiedzialności za uszkodzenia lub obrażenia ciała powstałe w wyniku nieprawidłowej instalacji. Niniejszy produkt musi być zamontowany na odpowiedniej powierzchni, a podczas użytkowania nie wolno przekraczać podanego maksymalnego obciążenia.

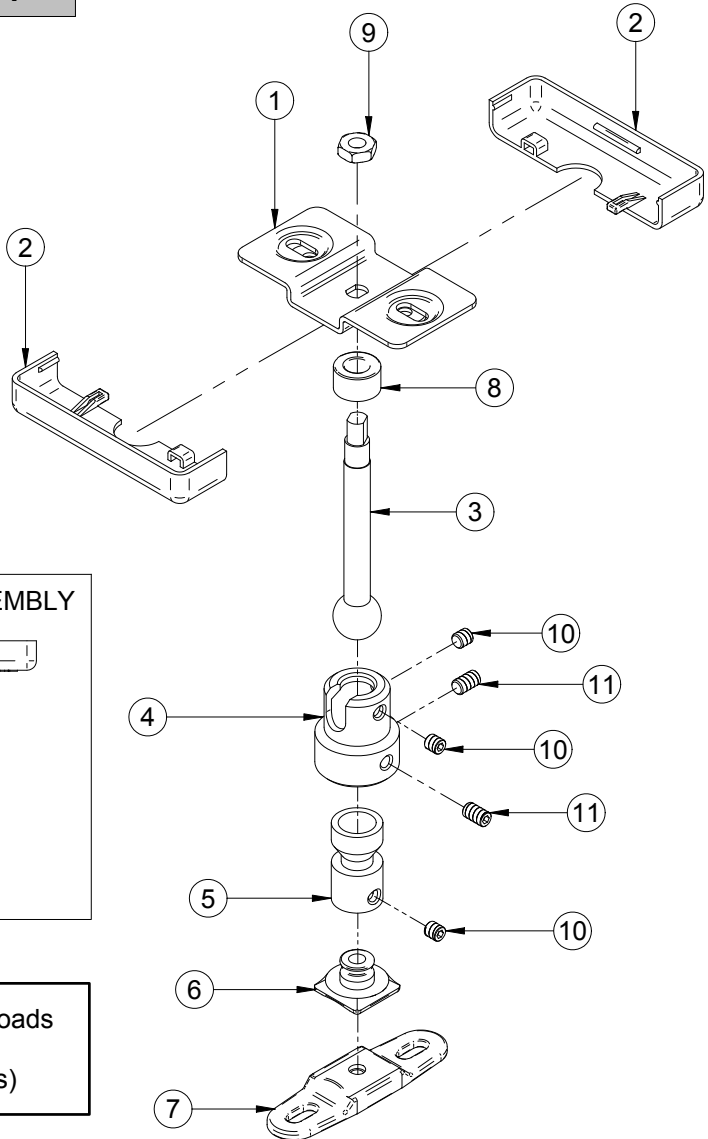
PT

A B-Tech International Ltd. recomenda que a instalação deste produto seja efectuada por um instalador de AV profissional ou outra pessoa devidamente habilitada. A B-Tech International Ltd. e os seus distribuidores e concessionários não são responsáveis por danos ou lesões causados por uma instalação incorrecta. Este produto tem de ser montado numa estrutura adequada e utilizado somente até ao peso máximo indicado.

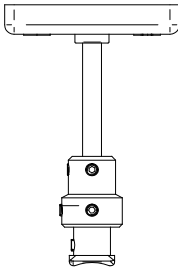
RU

Компания B-Tech International Ltd. рекомендует, чтобы установка данного изделия производилась инженером по установке аудио-видеотехники или другим специалистом с соответствующей квалификацией. Компания B-Tech International Ltd., ее дистрибьюторы и дилеры не несут ответственности за повреждения или травмы, полученные в результате неправильной установки. Данное изделие должно

BT34 PARTS LIST

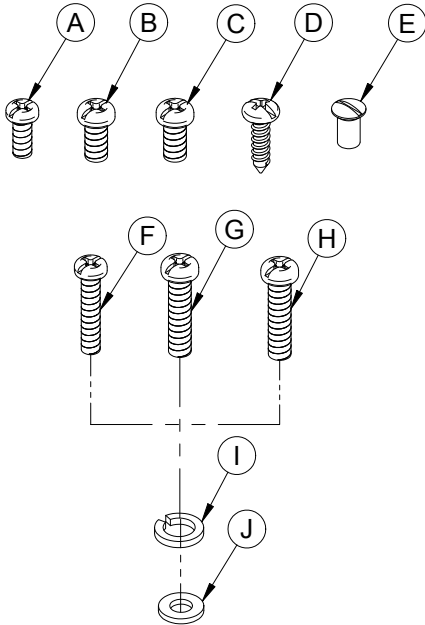


MOUNT ASSEMBLY

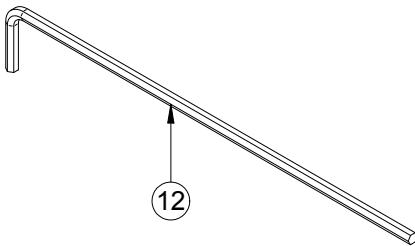


Suitable for loads
up to
5kg (11lbs)

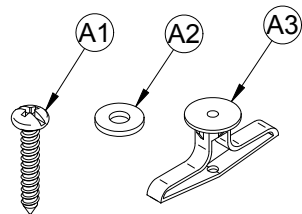
SPEAKER INTERFACE KIT (FOR ATTACHING MOUNT TO BACK OF SPEAKER)



| REF | PART NAME | QTY |
|---------------|---------------------------------|-----|
| 1 | CEILING PLATE | 1 |
| 2 | COVER PLATE | 2 |
| 3 | LONG EXTENSION ROD | 1 |
| 4 | BALL JOINT | 1 |
| 5 | BALL JOINT ADAPTOR | 1 |
| 6 | SINGLE POINT ADAPTOR | 1 |
| 7 | INTERFACE ADAPTOR | 1 |
| 8 | SPACER | 1 |
| 9 | M8 NUT | 1 |
| 10 | M6 X 6mm GRUB SCREW | 3 |
| 11 | M6 X 10mm GRUB SCREW | 2 |
| 12 | 3mm HEX KEY (FOR PARTS 10 & 11) | 1 |
| INTERFACE KIT | | |
| A | M5 x 12mm SCREW | 2 |
| B | M6 x 12mm SCREW | 2 |
| C | 1/4" x 1/2" UNC SCREW | 2 |
| D | M5.5 x 19mm WOOD SCREW | 2 |
| E | M5 x 12mm KEYHOLE SCREW | 1 |
| F | M5 x 25mm SCREW | 1 |
| G | M6 x 25mm SCREW | 1 |
| H | 1/4" x 1" UNC SCREW | 1 |
| I | M6 SPRING WASHER | 1 |
| J | M6 METAL WASHER | 1 |
| FIXING KIT | | |
| A1 | M4.8 x 32mm WOOD SCREW | 2 |
| A2 | M5 METAL WASHER | 2 |
| A3 | No. 6 TOGGLE WALL PLUG | 2 |

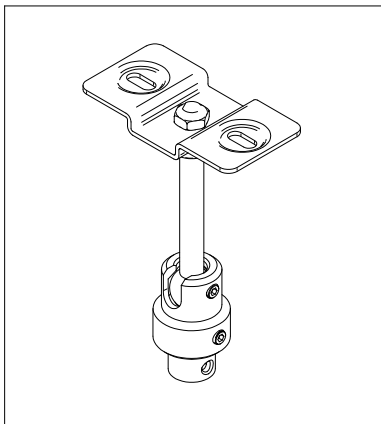
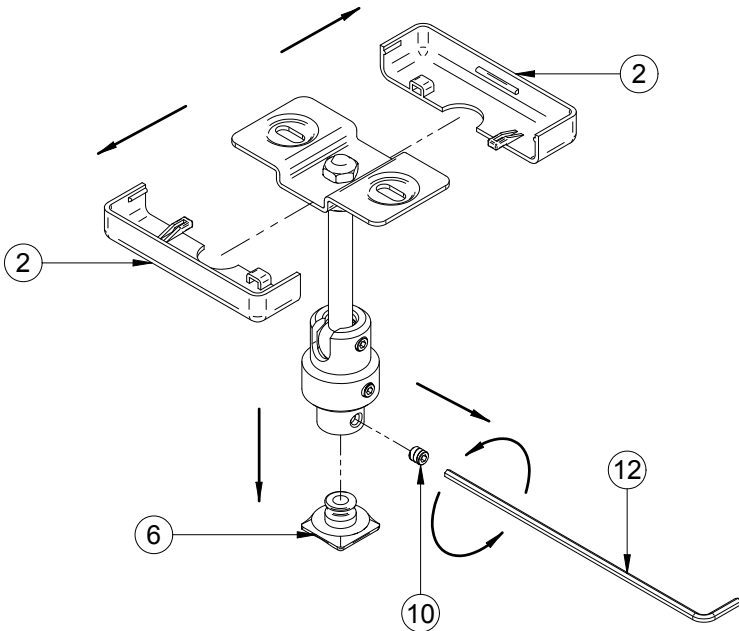


WALL FIXING KIT (FOR FIXING MOUNT TO WALL)



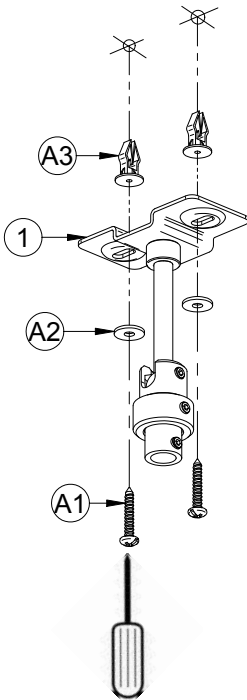
INSTALLATION INSTRUCTIONS

- 1** Remove the cover plates and the single point adaptor from the mount.

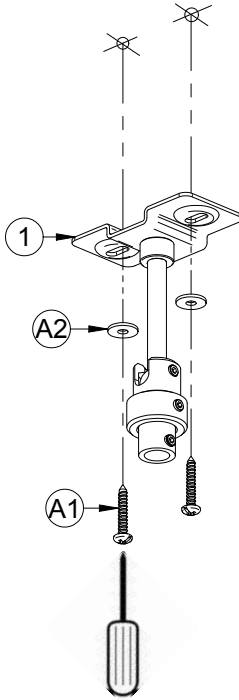


Fix the mount to a ceiling / wall using one of the following methods. Then reattach covers.

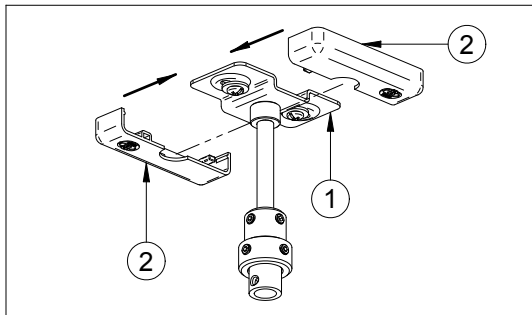
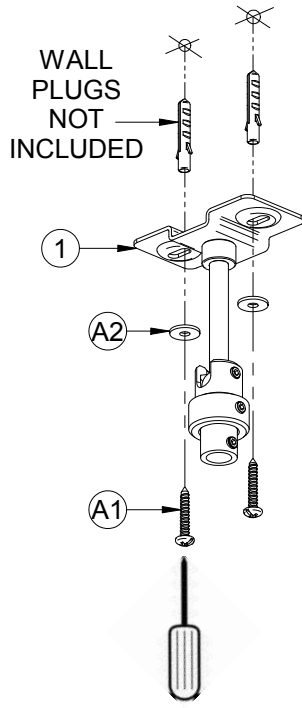
i. Plasterboard.



ii. Wood / wood stud.

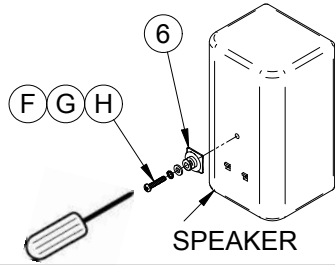
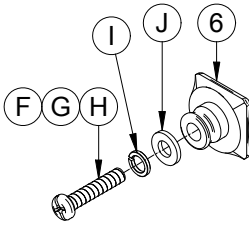


iii. Concrete.

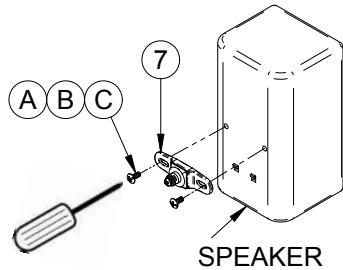
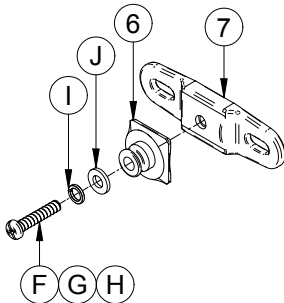


Choose one of the four fixing methods shown that suits your speaker fixings

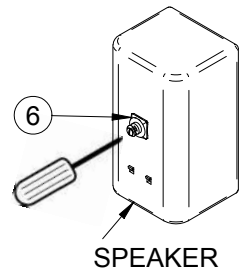
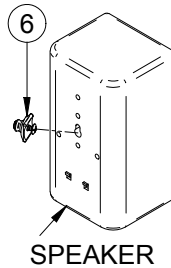
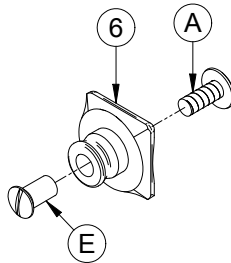
i. Single threaded insert



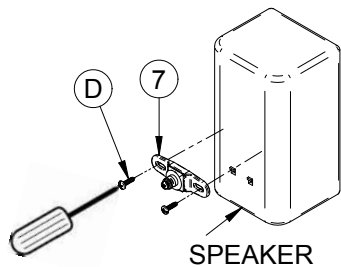
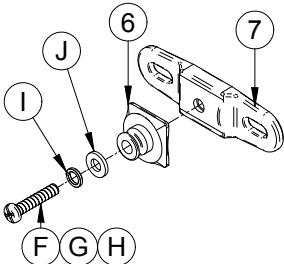
ii. Dual threaded insert



iii. Keyhole insert

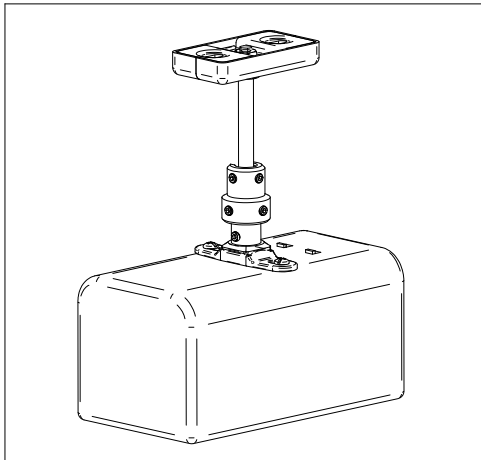
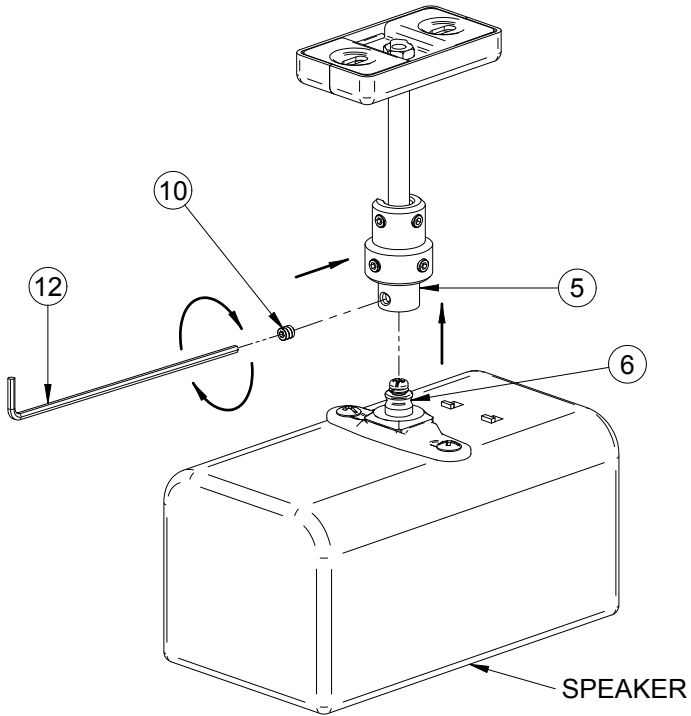


iv. No insert



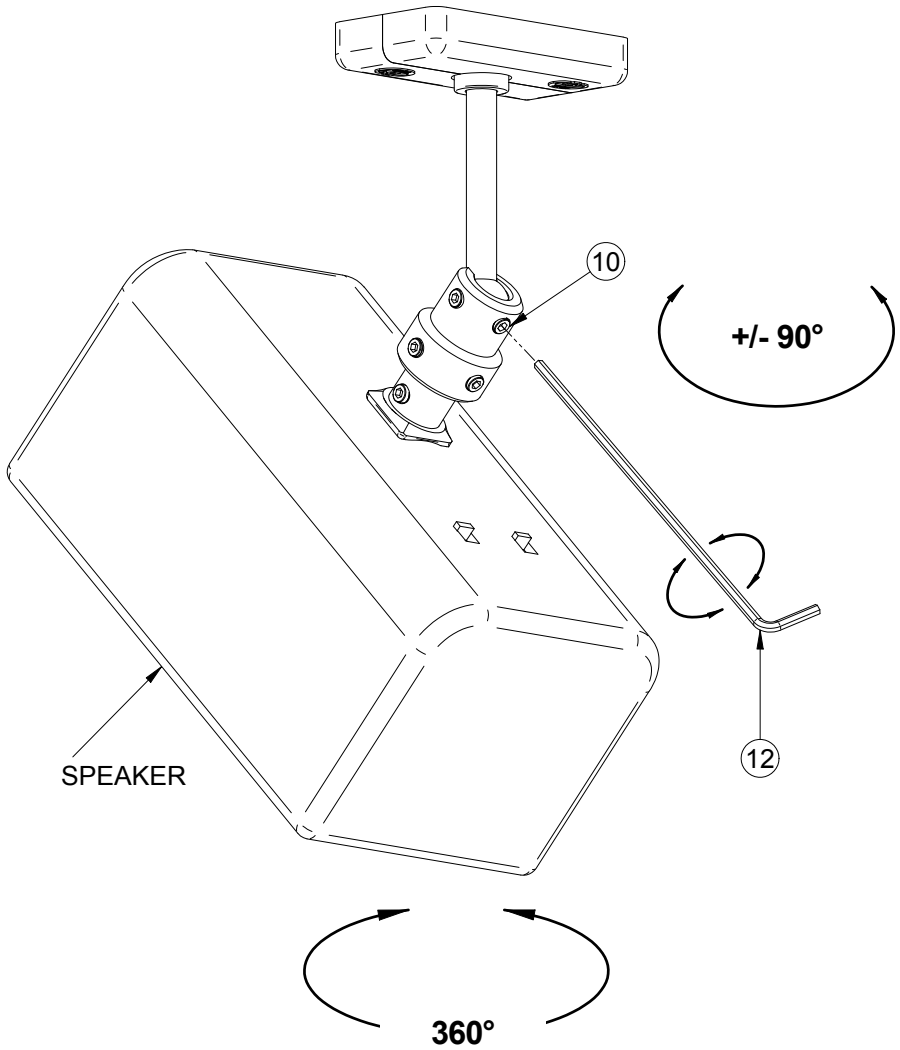
4

Attach the speaker to the mount, and secure using part 10.

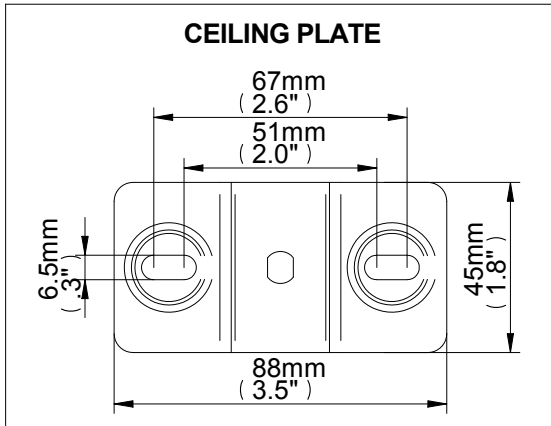
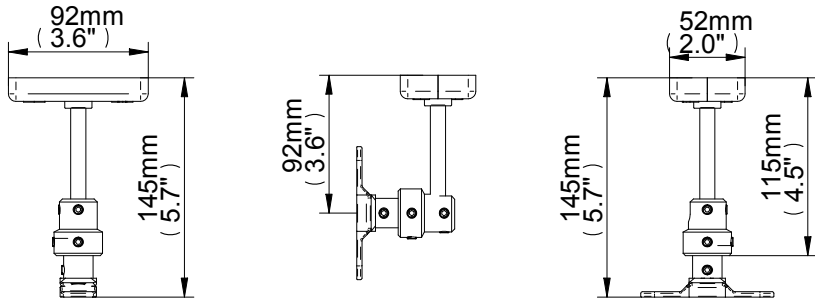


5

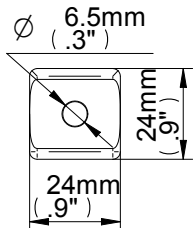
To adjust tilt and swivel, loosen parts 10, adjust angle of speaker then retighten parts 10.



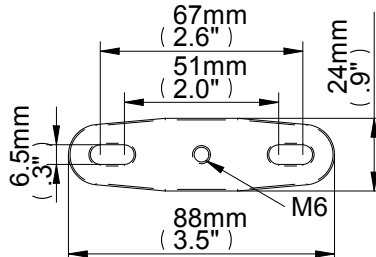
BT34 PRODUCT DIMENSIONS



SINGLE FIXING ADAPTOR



DUAL FIXING ADAPTOR





BETTER BY DESIGN™

www.btechavmounts.com

B-TECH AUDIO VIDEO MOUNTS

HEAD OFFICE

Bennett House, Long March, Daventry, Northants., NN11 4NR, UK
Email: info@btechavmounts.co.uk

EUROPE

BELGIUM

Brixtonlaan 32, Zaventem 1930,
Brussels, Belgium
Email: info@btechproav.com

GERMANY

Dyrotzer Weg 26A, 14612 Falkensee,
Berlin, Germany
Email: info@btechdeutschland.com

NORTH AMERICA

203 Eggert Road,
Buffalo, NY 14215, USA
Email: info@btechavmounts.com

SINGAPORE

Ruby Industrial Complex,
Singapore 347740
Email: info@btechavmounts.com.sg

ASIA PACIFIC

1503 Prosperity Millennia Plaza,
Quarry Bay, Hong Kong
Email: info@btechavmounts.com.hk

©2010 Bennett Technologies Limited. All rights reserved.
B-Tech Audio Video Mounts is a division of Bennett Technologies Limited.
B-Tech, Better By Design and Mountlogic are registered trademarks of Bennett Technologies Limited.
All other brands and product names are trademarks of their respective owners.
Photographs are for illustrative purposes only. E&OE.