

BT5890-010  
BT5890-075  
BT5890-150



B-TECH AV MOUNTS™

# SYSTEM V™

## PROJECTOR CEILING MOUNT INSTALLATION GUIDE

PLEASE KEEP THIS FOR FUTURE REFERENCE



The System V™ range is available in package or component form.

This installation guide demonstrates how to install and use the System V™ projector mounting range from B-Tech.

REGISTERED DESIGN

### CONTENTS

Installation Safety Notes.....	2
BT5890-010 Installation Instructions.....	4
BT5890-075 & BT5890-150 Installation Instructions.....	5
Product Dimensions.....	10
B-Tech Contact Details.....	12

### INSTALLATION TOOLS REQUIRED

13mm (1/2") spanner  
or socket

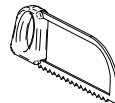
Flathead  
screwdriver

Drill

10mm (7/16") masonry bit  
or 6mm (1/4") wood bit

Pencil

Saw  
(Optional)



**B-TECH AUDIO VIDEO MOUNTS**

[www.btechavmounts.com](http://www.btechavmounts.com)

# INSTALLATION SAFETY INSTRUCTIONS



**CAUTION:** This mount is intended for use only with the maximum weights indicated. Use with flat screens heavier than the maximum indicated may result in instability causing possible injury.

Do not attempt to install this product until all instructions and warnings have been read and properly understood. Please keep these instructions for future reference. B-Tech International Limited, its distributors and dealers are not liable or responsible for damage or injury caused by improper installation, improper use or failure to observe these safety instructions. In such cases, all guarantees will expire.

## General

B-Tech International Ltd recommends that a professional AV installer or other suitably qualified person install this product. Great care must always be taken during installation as most AV equipment is of a fragile nature, possibly heavy and easily damaged if dropped.

If you do not fully understand the instructions or are not sure how to install this product safely, then please consult a professional for advice and/or to install this product for you. Failure to mount this product correctly may cause serious injury or death both during installation and at any time thereafter. Do not mount any AV equipment that exceeds the specific weight limit of the product you are installing. This weight limit will be clearly stated on each product and its packaging and will vary from product to product.

## Product location

Please pay careful attention to where this product is located. Some ceilings are not suitable for installation.

If located in a public or frequently populated area ensure that the product is out of the immediate reach of people. If any AV equipment is to be suspended over the likely path or location of people then great care should be taken to secure all parts of the installation from falling.

If you install this product on drywall it must be securely fixed to a wooden stud, concrete block or other permanent structure behind the drywall board. Installing on drywall boards alone will not support the weight of most AV equipment.

When drilling holes in walls it is essential to avoid contact with electrical cables and water or gas pipes contained within. Use of a good quality live wire detector and hidden object locator is therefore recommended. Only drill into structures when you are sure it is safe to do so.

## Fixing hardware

It is highly recommended that all wall fixing screws be used where supplied and that the purpose of all other fixing hardware is fully understood. In some cases more AV equipment fixing hardware will be supplied to accommodate different models of equipment and set up configurations.

The installer must be satisfied that any supplied fixing hardware is suitable for each specific installation. If any fixing screws or included hardware are deemed not sufficient for a safe installation then please consult a professional or your local hardware store.

## Hazard limitation

When routing cables take advantage of any built in cable management features that the product might provide and ensure that all cables are tidy and secure. Check to see that any moving aspect of the product can do so unhindered by any cabling.

Some products have moving parts and the potential to cause injury through the crushing or trapping of fingers or other body parts.

Particular attention to the nature of moving parts is required especially when assembling installing and adjusting during set up.

Immediately after installations double-check that the work done is safe and secure. Double-check all necessary fixings are present and are of ample tightness.

It is recommended that periodic inspections of the product and its fixing points are made as frequently as possible to ensure that safety is maintained. If in doubt consult a professional AV installer or other suitably qualified person.

CS

Společnost B-Tech International Ltd. doporučuje provést instalaci tohoto produktu prostřednictvím odborného instalátora AV či jinak způsobilé osoby. Společnost B-Tech International Ltd, její distributoři a prodejci nenesou odpovědnost za škody nebo zranění způsobená nevhodnou instalací. Tento výrobek je nutno umístit do vhodné konstrukce a používat jen po uvedené maximální výšce.

DE

B-Tech International Ltd. empfiehlt, dass dieses Produkt durch einen qualifizierten AV-Techniker oder eine andere Person mit geeigneter Qualifikation installiert wird. B-Tech International Ltd, ihre Distributoren und Händler können nicht für durch fehlerhafte Montage verursachte Beschädigung oder Verletzung haftbar bzw. verantwortlich gemacht werden. Dieses Produkt muss auf eine geeigneten Untergrund montiert werden und darf nur bis zum angegebenen Höchstgewicht verwendet werden.

ES

B-Tech International Ltd. recomienda que un instalador de audio y video profesional u otra persona debidamente cualificada instalen este producto. B-Tech International Ltd, sus distribuidores y concesionarios no se hacen cargo ni se responsabilizan de ningún daño o lesión provocados por una instalación inapropiada. Este producto se debe montar en una estructura adecuada y se debe utilizar soportando solamente hasta el peso máximo indicado.

FR

B-Tech International Ltd. recommande de confier l'installation de ce produit à un installateur AV professionnel ou à une autre personne dûment qualifiée. B-Tech International Ltd, ses distributeurs et ses revendeurs ne sauraient être tenus responsables de tout dégât ou de toute blessure résultant d'une installation incorrecte. Ce produit doit être monté sur un support approprié et utilisé dans la limite du poids maximum indiqué.

IT

B-Tech International Ltd. consiglia di affidare l'installazione di questo prodotto a un installatore specializzato o ad altra persona adeguatamente qualificata. B-Tech International Ltd, i suoi distributori e rivenditori non accettano alcuna responsabilità nei riguardi di eventuali danni o infortuni causati da un'errata installazione. Questo prodotto deve essere fissato a una struttura idonea e utilizzato unicamente sino al peso massimo indicato.

NL

B-Tech International Ltd. adviseert om dit product te laten installeren door een professionele AV-installateur of andere hiervoor gekwalificeerde persoon. B-Tech International Ltd, haar distributeurs en dealers zijn niet aansprakelijk of verantwoordelijk voor schade of letsel die is veroorzaakt door onoordeelkundige installatie. Dit product moet worden gemonteerd aan een geschikte constructie, waarbij het aangegeven maximum gewicht niet mag worden overschreden.

PL

Firma B-Tech International Ltd. zaleca, aby ten produkt był instalowany przez profesjonalnych instalatorów AV lub inny odpowiednio przeszkolony personel. Firma B-Tech International Ltd, jej dystrybutorzy i dealerzy nie ponoszą odpowiedzialności za uszkodzenia lub obrażenia ciała powstałe w wyniku nieprawidłowej instalacji. Niniejszy produkt musi być zamontowany na odpowiedniej powierzchni, a podczas użytkowania nie wolno przekraczać podanego maksymalnego obciążenia.

PT

A B-Tech International Ltd. recomenda que a instalação deste produto seja efectuada por um instalador de AV profissional ou outra pessoa devidamente habilitada. A B-Tech International Ltd. e os seus distribuidores e concessionários não são responsáveis por danos ou lesões causados por uma instalação incorrecta. Este produto tem de ser montado numa estrutura adequada e utilizado somente até ao peso máximo indicado.

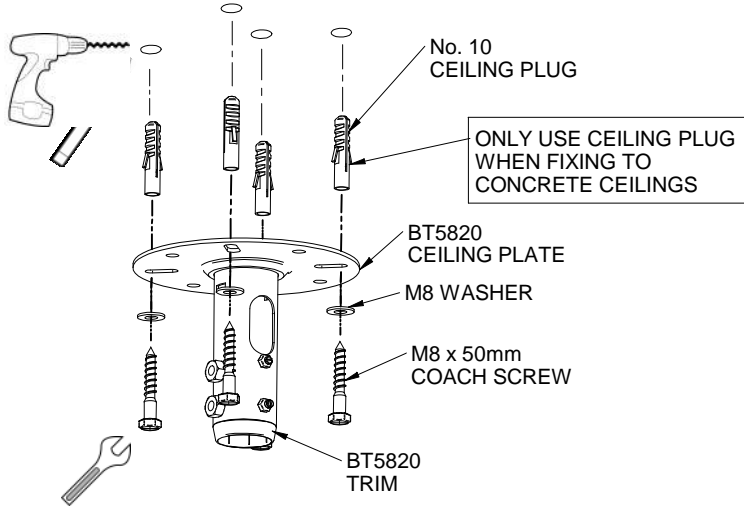
RU

Компания B-Tech International Ltd. рекомендует, чтобы установка данного изделия производилась инженером по установке аудио-видеотехники или другим специалистом с соответствующей квалификацией. Компания B-Tech International Ltd., ее дистрибьюторы и дилеры не несут ответственности за повреждения или травмы, полученные в результате неправильной установки. Данное изделие должно

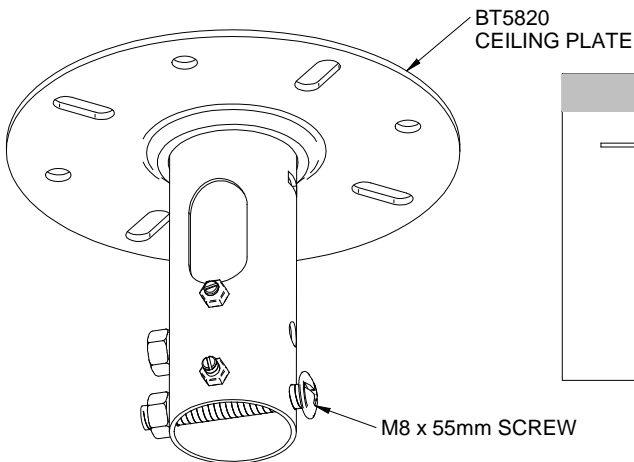


## BT5890-010 INSTALLATION INSTRUCTIONS

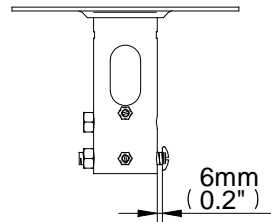
**1** Fix the BT5820 ceiling plate to the ceiling.



**2** Fix one M8 x 55mm screw into the BT5820 ceiling mount as shown, leaving 6mm of thread showing.



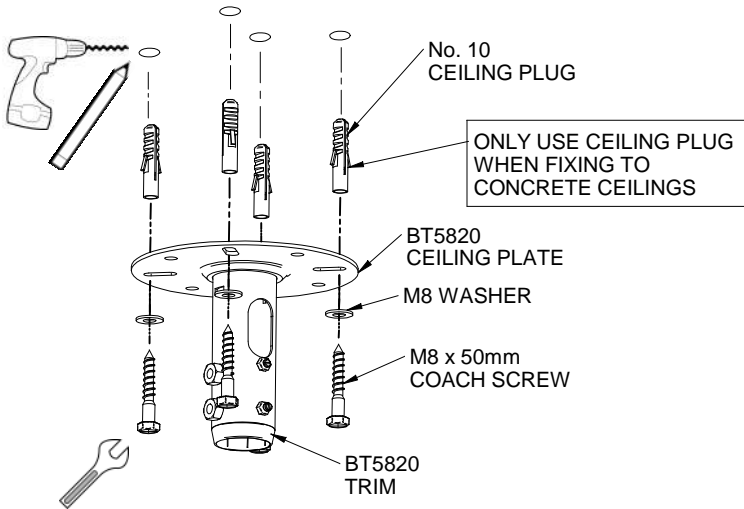
### IMPORTANT



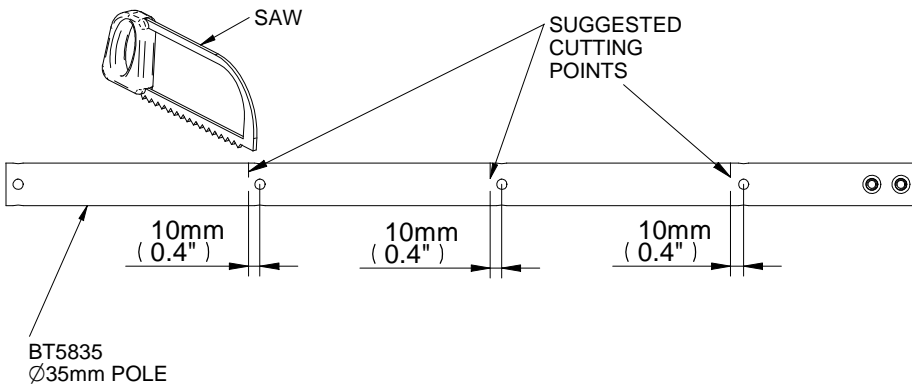
# BT5890-075 & BT5890-150 INSTALLATION INSTRUCTIONS

1

Fix the BT5820 ceiling plate to the ceiling.

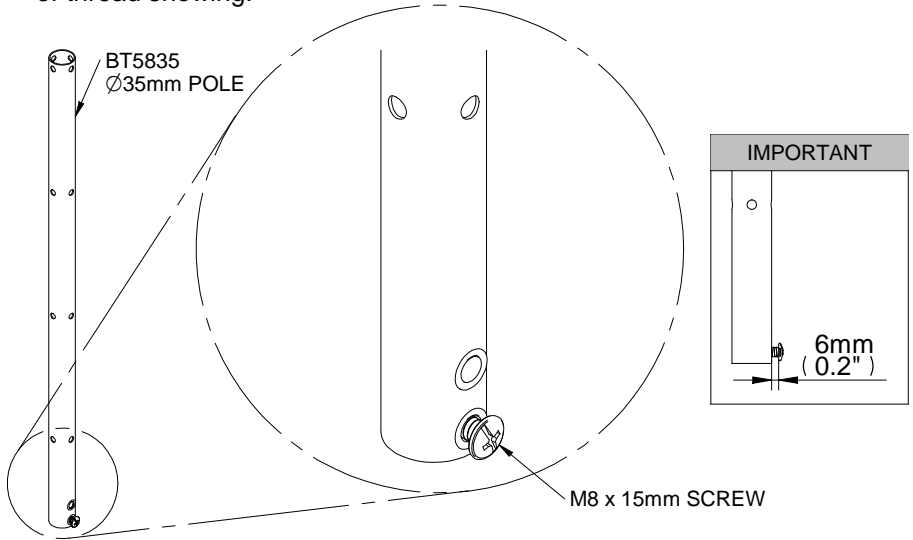


OPTIONAL: Cut BT5835 pole to desired length.

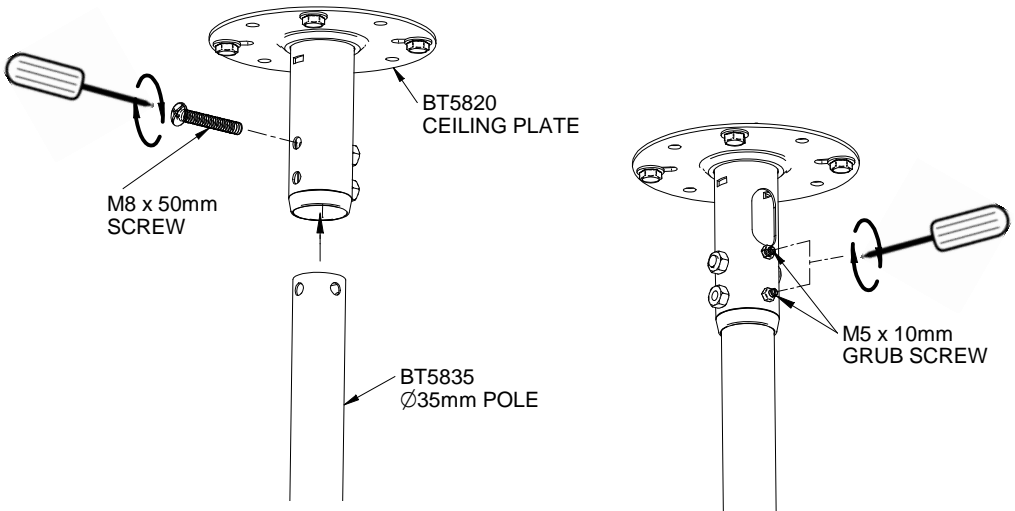


2

i. Fix one M8 x 15mm screw into the BT5835 pole as shown, leaving 6mm of thread showing.



ii. Attach the BT5835 pole to the BT5820 ceiling mount.



3

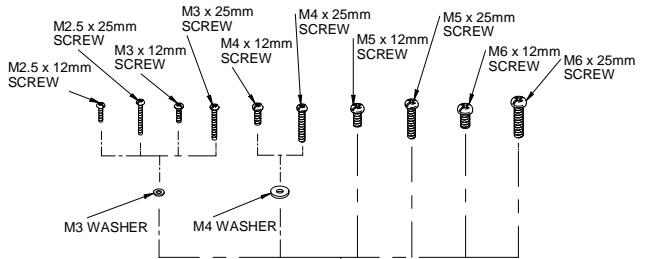
There are two methods of attaching the mount to the projector, depending on the projector fixing pattern.

A. 75 x 75mm & 100 x 100mm (page 7)

B. All other fixing patterns up to 493mm apart (page 8)

A

Attach the carousel directly to the projector.

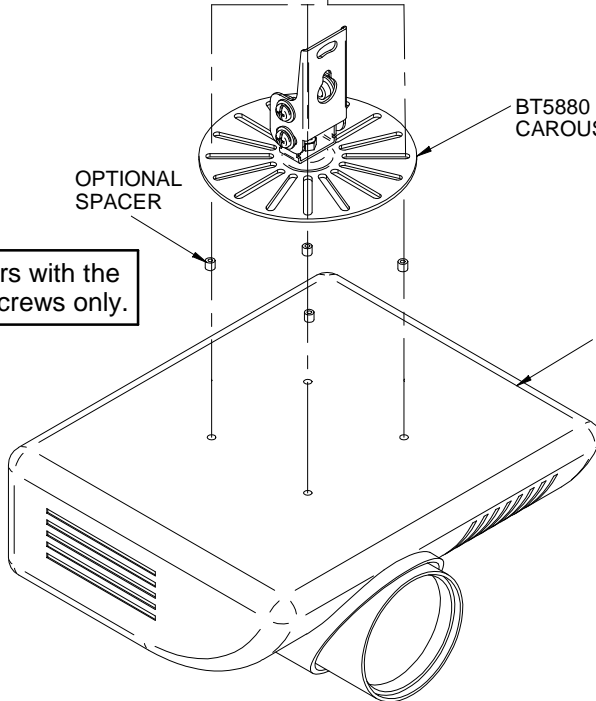


OPTIONAL SPACER

BT5880 CAROUSEL

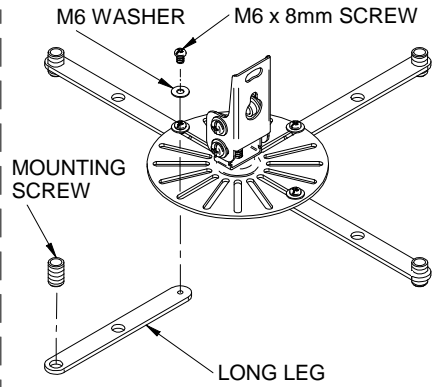
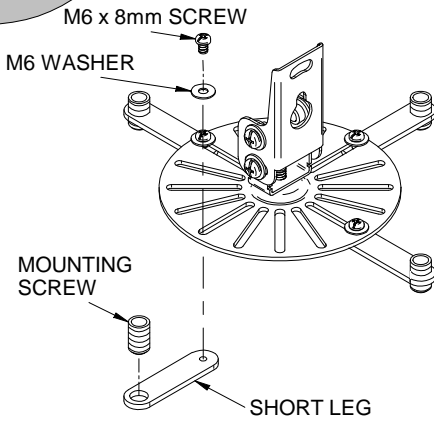
Use the spacers with the 25mm length screws only.

PROJECTOR

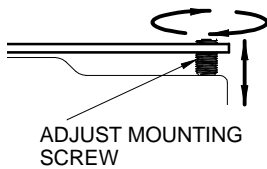
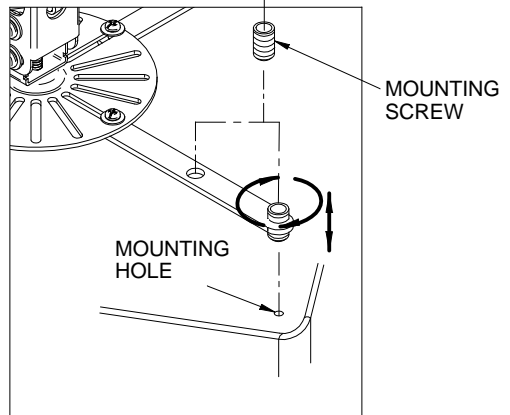
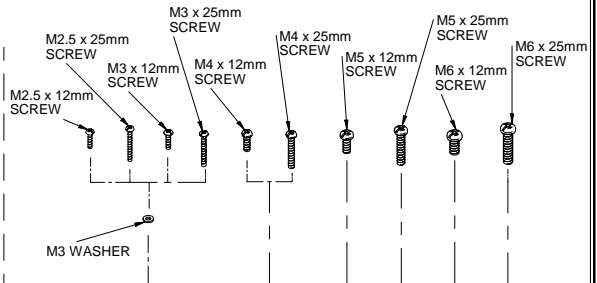
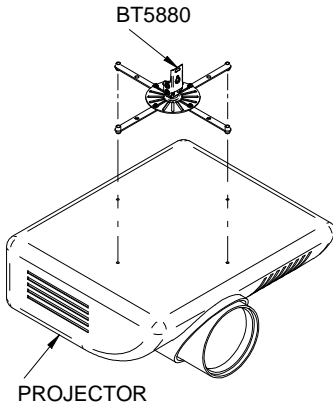


**B**

i. Attach the legs to the carousel.



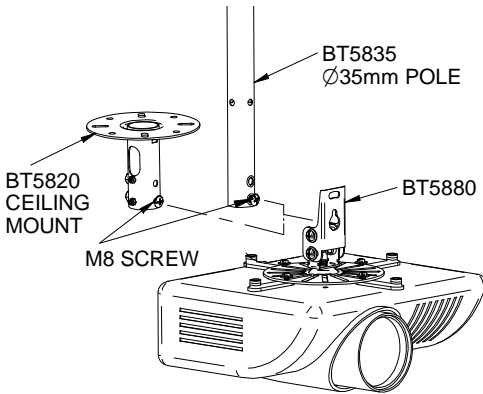
ii. Attach the legs to the projector.





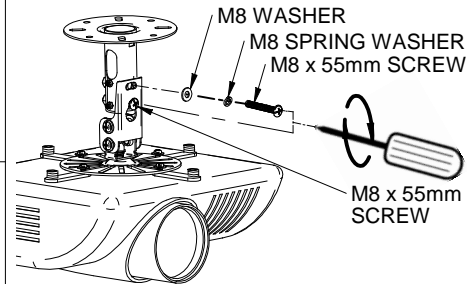
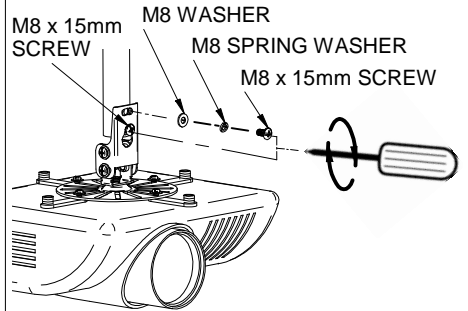
4

Hook the BT5880 onto the M8 screw using the keyhole fixing.



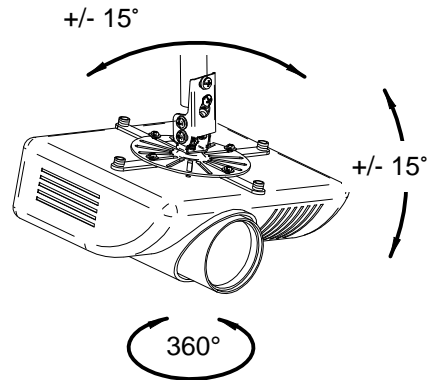
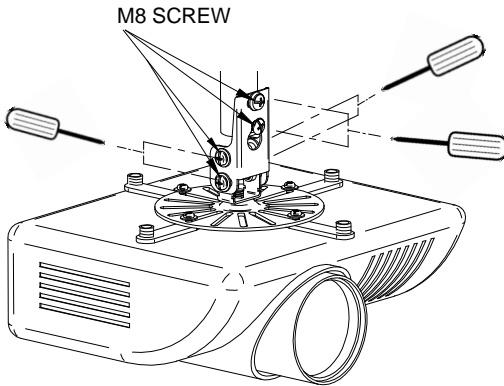
5

Secure the BT5880 using the M8 screws provided.



6

To tilt and roll, loosen the M8 screws, adjust and re-tighten.



INSTALLATION COMPLETE

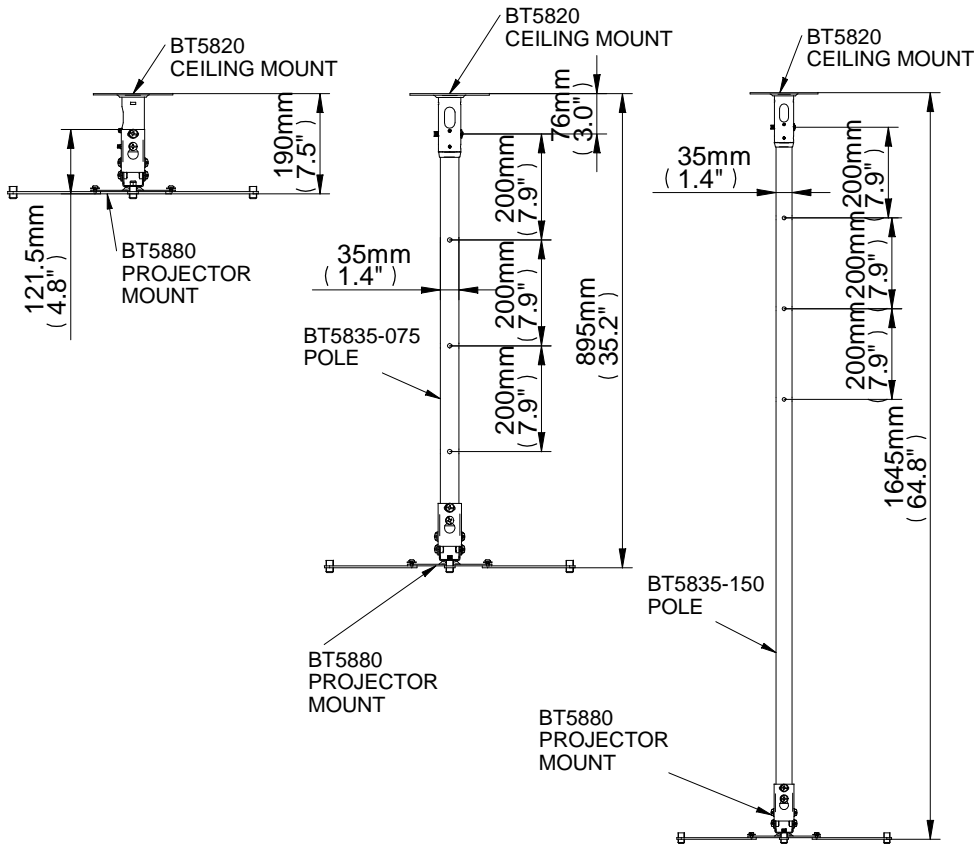
# SYSTEM V™ PRODUCT DIMENSIONS

PRODUCT	CEILING DROP	MAXIMUM DISTANCE BETWEEN ANY 2 FIXING POINTS	TILT	ROLL	SWIVEL	SUITABLE FOR PROJECTORS WITH FIXINGS	MAXIMUM LOAD
BT5890-010	190mm (7.5")					M2.5, M3, M4, M5 & M6	
BT5890-075	895mm (35.2")						
BT5890-150	1645mm (64.8")						

**BT5890-010**

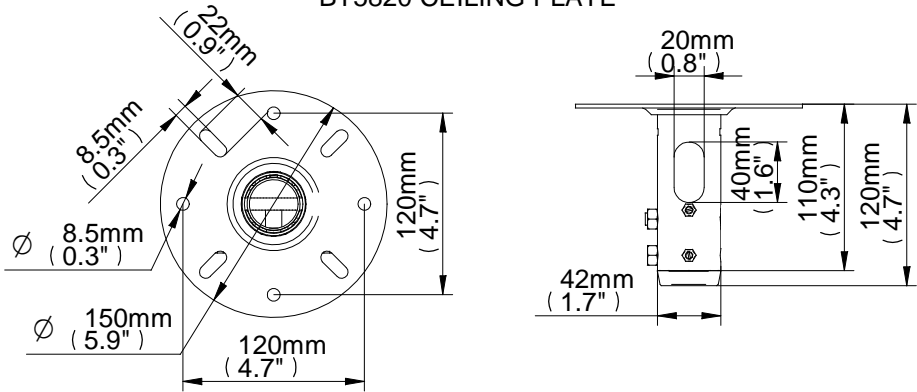
**BT5890-075**

**BT5890-150**

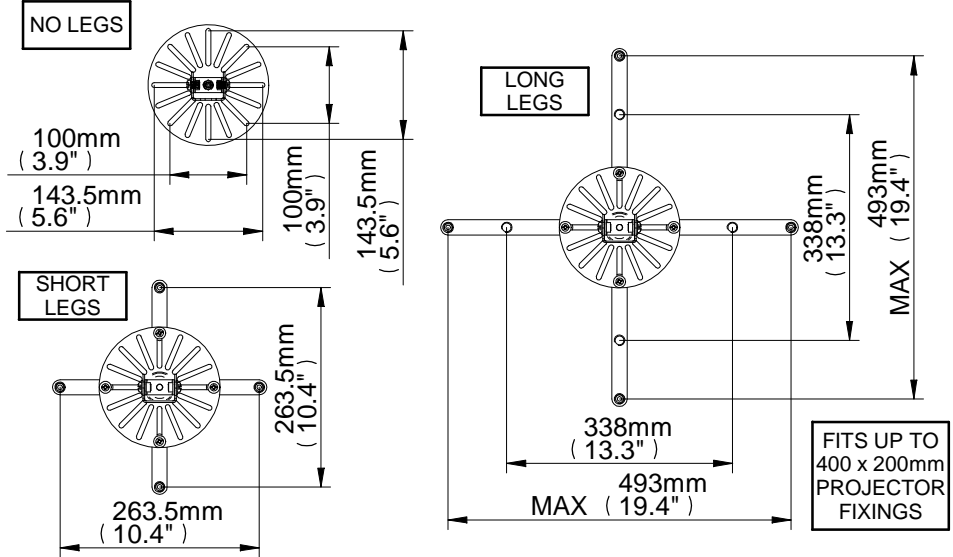


# SYSTEM V™ PRODUCT DIMENSIONS

## BT5820 CEILING PLATE



## BT5880 INTERFACE





BETTER BY DESIGN™

[www.btechavmounts.com](http://www.btechavmounts.com)

## **B-TECH AUDIO VIDEO MOUNTS**

### **HEAD OFFICE**

Bennett House, Long March, Daventry, Northants., NN11 4NR, UK  
Email: [info@btechavmounts.co.uk](mailto:info@btechavmounts.co.uk)

### **EUROPE**

#### **BELGIUM**

Brixtonlaan 32, Zaventem 1930,  
Brussels, Belgium  
Email: [info@btechproav.com](mailto:info@btechproav.com)

#### **GERMANY**

Dyrotzer Weg 25A, 14612 Falkensee,  
Berlin, Germany  
Email: [info@btechdeutschland.de](mailto:info@btechdeutschland.de)

#### **NORTH AMERICA**

203 Eggert Road,  
Buffalo, NY 14215, USA  
Email: [info@btechavmounts.com](mailto:info@btechavmounts.com)

#### **SINGAPORE**

Ruby Industrial Complex,  
Singapore 347740  
Email: [info@btechavmounts.com.sg](mailto:info@btechavmounts.com.sg)

#### **ASIA PACIFIC**

1109 Prosperity Millennia Plaza,  
Quarry Bay, Hong Kong  
Email: [info@btechavmounts.com.hk](mailto:info@btechavmounts.com.hk)

©2011 B-Tech International Limited. All rights reserved.  
B-Tech Audio Video Mounts is a division of B-Tech International Limited.  
B-Tech, Better By Design and Mountlogic are registered trademarks of B-Tech International Limited.  
All other brands and product names are trademarks of their respective owners.  
Photographs are for illustrative purposes only. E&OE.