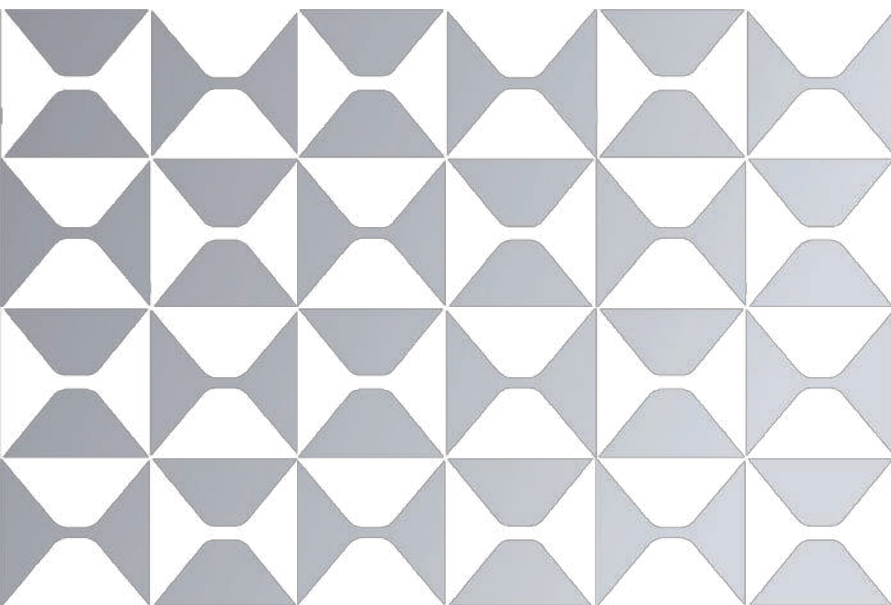


Smart Lectern User Manual



Note: All the pictures in this manual are for reference only,
subject to our available products.

MAXHUB

TABLE OF CONTENTS

1. Safety Warning.....	1
2. Appearance Introduction.....	5
3. Instructions.....	7
4. Connection and Setting.....	11
5. Capacitive Pen Instructions.....	14
6. FAQ.....	14
7. Simple Troubleshooting.....	15
8. Maintenance.....	16
9. Statements.....	17

1. Safety Warning

The images in this user manual are for reference only. There may be differences between the pictures and the actual product, please prevail in kind.

➤ Placement

DO NOT put heavy objects on top of the unit.

DO NOT insert anything into the machine.

DO NOT put the unit near appliances that generate magnetic fields.

DO NOT put any liquid near or on the unit, make sure do not spill any liquid inside the unit.

DO NOT place the unit on an unstable cart, stand, tripod, bracket, table, or shelf.

DO NOT expose the unit to direct sunlight and other sources of heat.

If long-term fixed use is needed, please fix the base in order to avoid toppling caused by external force. Please refer to the installation steps of the base in the Quick Start Guide for details.

➤ Power Supply

Please unplug power supply when the weather is thunder-storm or lightning.

Please keep power cable from physical or mechanical damage.

Please check and ensure AC source is connected with the ground.

Check that the unit's operating voltage is identical with your local power supply.

Please use the original power cable from the accessory bag, don't modify or lengthen it.

Please unplug power supply, when there is nobody home or the unit will be in idle for a long time.

➤ **LED Screen**

Unplug the power cable before cleaning.

Clean the screen with a soft, dustless and dry cloth.

For deep clean, please contact an authorized service center.

Never use water or the spray type detergent to clean the unit.

Never use any other hard or sharp object to replace the touch pen.

Better for the panel lifetime and the display performance, do not display high brightness image for long time.

➤ **Temperature**

Normal operating temperature is 0°C~40°C.

DO NOT place the unit near or over a radiator or a heater.

If your unit is suddenly moved from a cold to a warm place, please unplug the power cable and do not turn it on at least 2 hours, making sure the moisture inside the unit is all evaporated.

➤ **Humidity**

DO NOT expose the unit in rain, or place in high humidity area.

Please keep indoor environment is dry and cool. Normal operating humidity is 10%~90%RH.

➤ **Ventilation**

Please put the unit in a well-ventilated place, so the heating can be released easily.

➤ **Standby**

It will enter standby mode but not turn off the unit after press the standby key.

➤ **Notes for Cleaning**

There are vents on back cover, please do not use any liquid or spray directly during cleaning.

➤ **Power Switch Status Signs**

“I” means power on, “O” means power off.

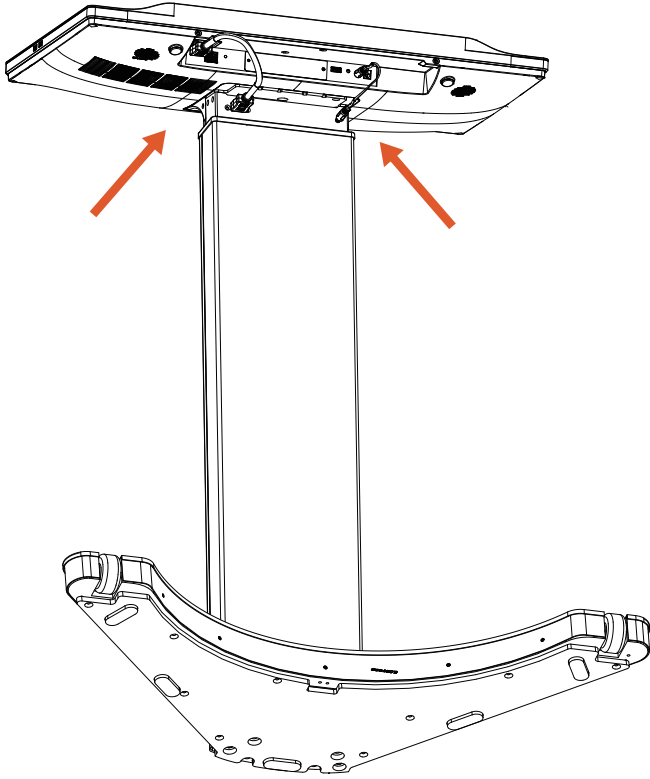
➤ **Notes for Maintenance**

This machine can only be maintained by certified engineer.

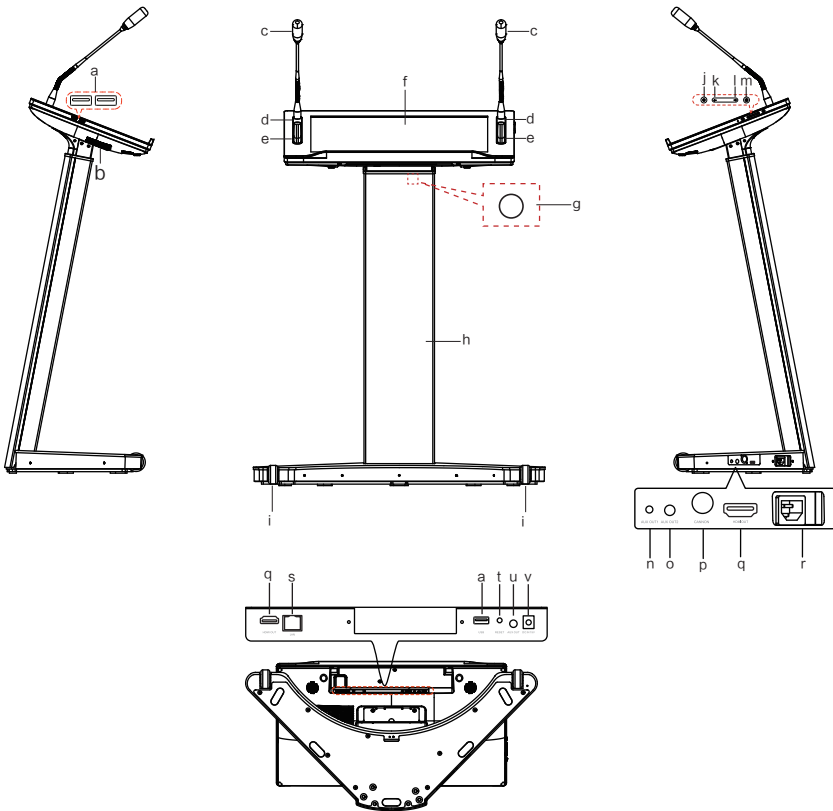
➤ **Wiring precautions**

When using the HDMI OUT interface of the Smart Lectern base, make sure to connect the HDMI adapter cable between the screen and the column, otherwise the HDMI OUT of the base will not function.

When using the audio interface of the Smart Lectern base, make sure to connect the 3.5mm adapter cable between the screen and the column, otherwise the audio interface of the base will not function.



2. Appearance Introduction



No.	Function description
a	USB port : Connect USB devices such as mobile hard disk, U disk, USB keyboard and mouse, etc.
b	Ventilation
c	Gooseneck Microphones
d	Microphone ports
e	Magnetic pen slot

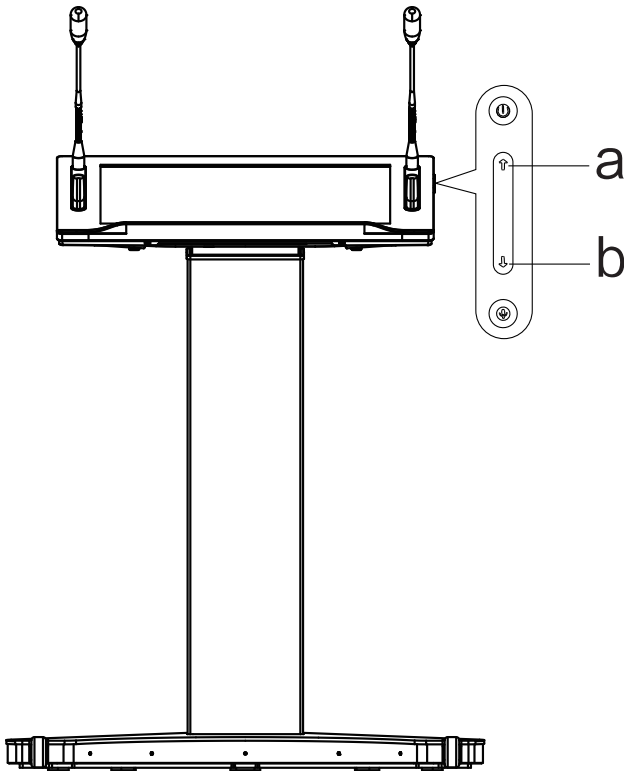
f	Touch display
g	AUDIO IN: 3.5mm, Audio input interface
h	Electric lifting column
i	Moving casters: tilting the podium can easily move with casters.
j	Mute Button
k	Moving Down button: control the Smart Lectern moving down.
l	Moving Up button: control the Smart Lectern moving up.
m	<p>Power button:</p> <p>① Short press to power on, short press to sleep when powered on, long press for 2 seconds to soft shutdown, and long press for 10 seconds to force shutdown.</p> <p>② With indicator light function, after AC is connected, red light: power off state; blue light: power on state; red and blue flashing alternately: sleep state.</p>
n	AUX OUT1: 3.5mm, Audio output interface, connected to devices with audio input capabilities
o	AUX OUT2: 6.5mm, Audio output interface, connected to devices with audio input capabilities
p	CANNON interface
q	HDMI OUT: Connect to the devices with HDMI input function.
r	AC IN: AC power input, connect AC power supply.
s	LAN : network interface
t	RESET

u	AUX OUT: Audio output interface, connected to devices with audio input capabilities
v	DC IN: Adapter power input port, connect DC power supply.

3. Instructions

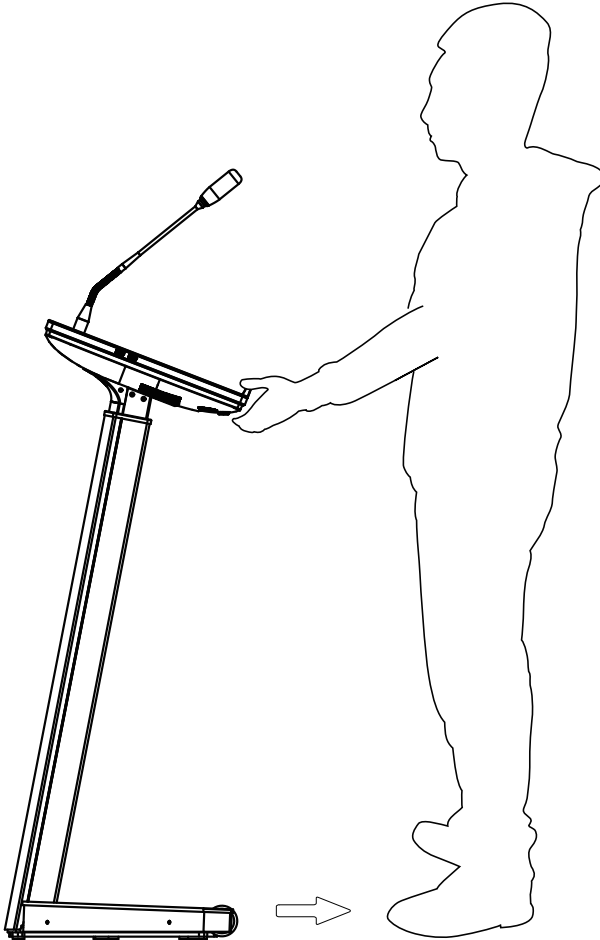
1) Electric lifting function

Press the “↑” button to control the Smart Lectern go up, Press the “↓” button to control the Smart Lectern go down.



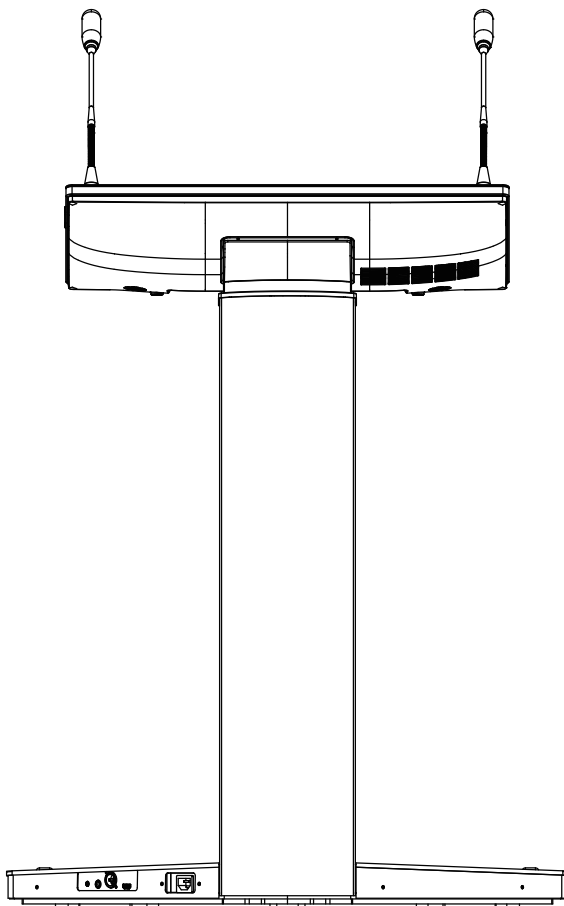
2) Move the Smart Lectern

As shown in the figure, you can easily move the Smart Lectern by holding the ends of the display frame and leaning backwards.

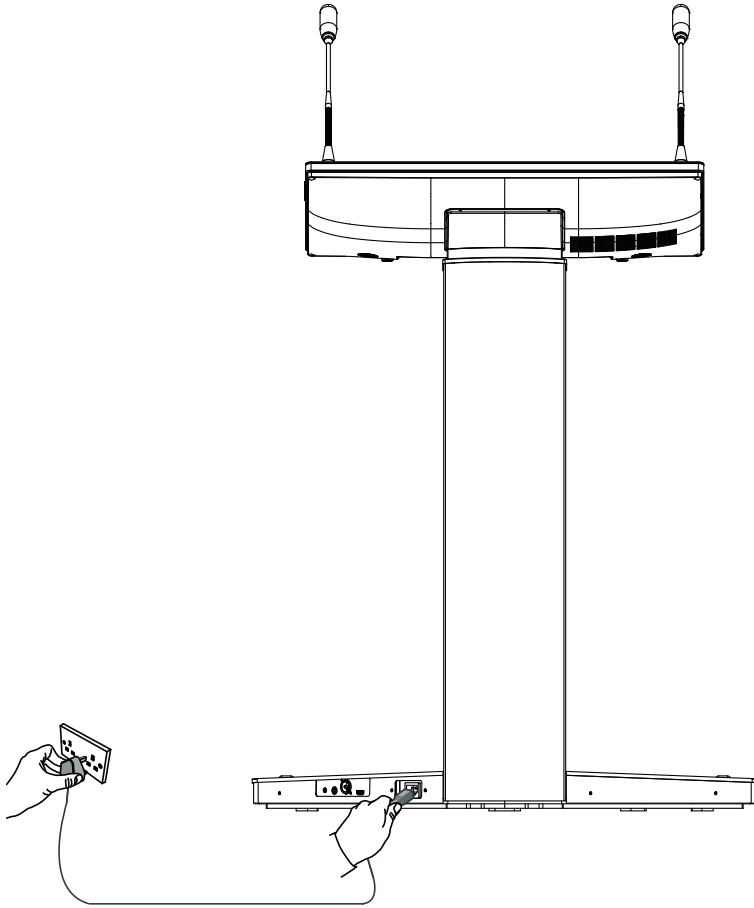


3) Use the Smart Lectern

As shown in the figure, please point the microphones to the speaker and make the speaker stand within <30cm range of the microphones.



4) Smart Lectern base charges with AC power cord



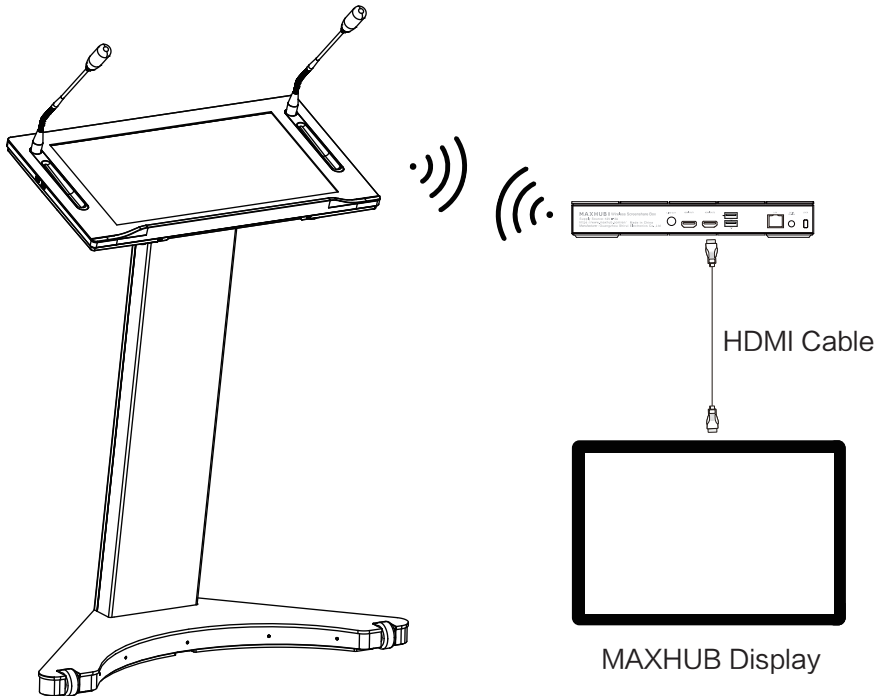
4. Connection and Setting

1) Wireless Connection

① Wireless Screenshot (With use of wireless screen box)

Smart Lectern may wireless Connection to a MAXHUB wireless screen box. By connecting the wireless screen box to another display, you may share the contents from the Smart Lectern wirelessly.

Note: The Smart Lectern and MAXHUB wireless screen box need to be in the same LAN.



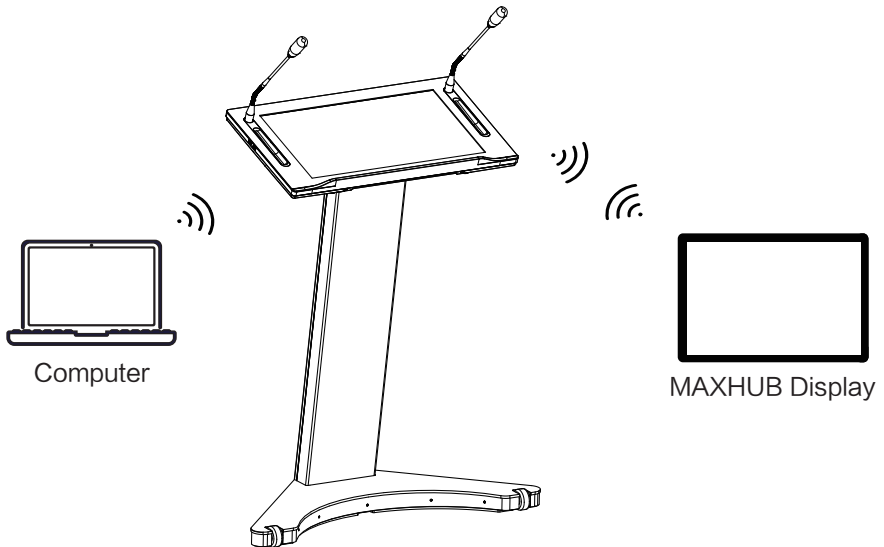
② Wireless Screenshare (to MAXHUB Display)

Smart Lectern may wireless Connection to a MAXHUB Display through built-in Smart Lectern Screen Share Software wirelessly.

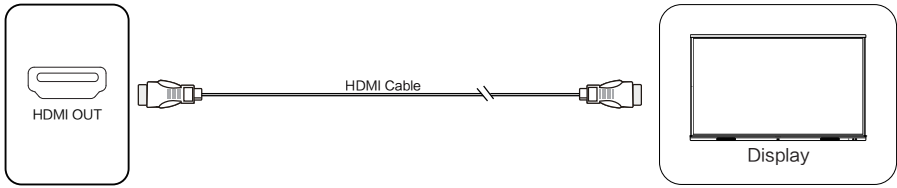
Note:


The Smart Lectern and MAXHUB Display need to be in the same LAN.

Personal computer could share screen to the Lectern through the built-in MAXHUB Share software.

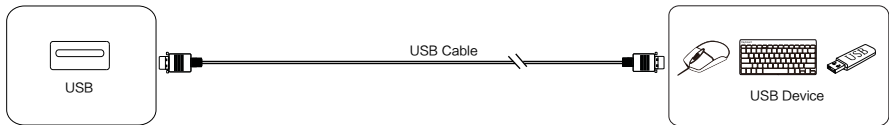


2) HDMI OUT Connection

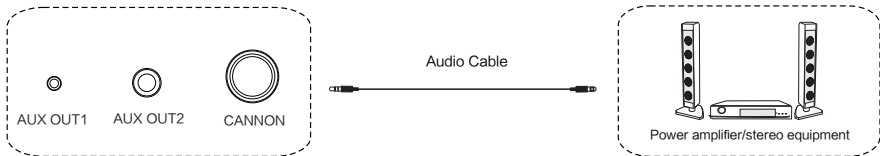


- 1> Use HDMI cable to connect display device with HDMI IN
- 2> Plug in the power cord and switch the AC switch to "I"
- 3> Press  to turn equipment on
- 4> HDMI signal output to display device

3) USB Connection



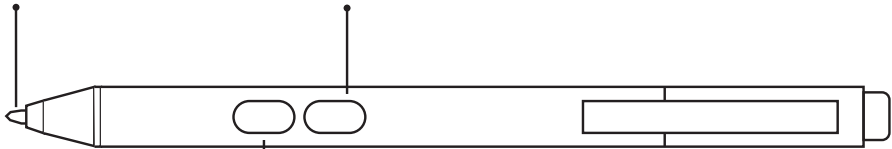
4) AUX OUT Connection



5. Capacitive Pen Instructions

Touching the screen with the pen tip realizes the left-click function of the mouse

Hold down the upper key and click the screen to implement the right-click function of the mouse



When handwriting input is supported, pressing and holding the down key without letting go is the eraser function.

6. FAQ

(1) Why does fog often appear on the screen?

To ensure the safety of the screen, a layer of tempered glass is added to the external of the screen. Moreover, to ensure heat radiation, there needs to be some gap between the two to reserve an air passage for ease of the convection of the air. The reason why fog appears is that there is a temperature difference between the screen temperature and the external temperature, and the hot air condenses and generates fog due to the glass surface with lower temperature. The fog does not affect the normal use, and it will evaporate and disappear after the machine is used for several hours.

(2) Why are the boot times of the devices in different meeting rooms are different?

Generally, the external U disk or surfing online will let the device get virus. As a result, the disk space is fully occupied, or the system disk is damaged. Therefore, the boot of the device will get slower.

- (3) The attached touch pens are limited. Is there any object that can replace the touch pen for flexible writing and at the same time does not damage the screen?**

Fingers can be temporarily used for writing. In addition, if necessary, you can buy more writing pens.

- (4) After used for some time, the screen is overheated. Is it normal? Will it bring any bad influence?**

It is normal that the screen is overheated, which will not bring any bad influence. Currently, the heat radiation design of our machine is advantageous in the industry. We are the maker of the industry standard, which complies with the international health standard.

- (5) Will it be harmful for eyes in case of use for a long time?**

The identification of human eyes to the twinkling is 50 Hz, and the human eyes can feel the twinkling if the frequency is below 50 Hz. The eye muscles need to continuously adjust to adapt to the twinkling, which results in the fatigue of eyes. The frequency of the LCD we use is 60 Hz and 120 Hz. Therefore, human eyes cannot feel the twinkling of our screen, which can reduce the fatigue of eyes to a large extent compared with other similar products.

7. Simple Troubleshooting

- (1) Failure to boot the product**

- a. Check if the AC SWITCH is flipped to "I".
- b. Check the AC cable or DC adapter and try again.

- (2) Automatic shut down**

- a. Check if the sleep feature is enabled, similar with a PC.
- b. Check the power status.

- (3) No sound, only pictures**

- a. Check the volume settings.
- b. Check if the audio cable is properly connected.
- c. Check if the product is muted.

(4) Imprecise touch point

- a. Check whether the touch pen or the finger is 90 degrees vertical to the screen.
- b. Check whether there are other objects touching the screen, for example, little tape or sleeve.

8. Maintenance**(1) Simple maintenance**

- a. Proper maintenance can avoid many early faults and regular careful cleaning can make machine brand new.
- b. Please unplug power plug before cleaning and maintenance, to prevent electric shock.

(2) Clean Screen

- a. Please mix and stir even a little fabric softener or tableware detergent with alcohol.
- b. Please use a soft cloth to be completely soaked in the mixture.
- c. Please take out cloth and twist to half dry state to wipe machine screen.
- d. Repeat for several times, pay attention not to squeeze water flow into machine when wiping machine.

(3) Clean Face Frame

- a. Please use dry, soft, lint-free cloth to wipe front frame.

(4) No Use of Machine for A Long Time

- a. In case of no use of machine for a long time, such as holiday, please make sure to unplug the plug to prevent any possible dangers caused by power supply ripple from lightning.

9. Statements

- a. Intellectual property right statement: The hardware design and software of this product are covered by the patents. Anyone who reproduces this product or the content of the instruction without the authorization of the Company shall assume legal liabilities.
- b. This manual is for reference only, and the actual function of the final product is subject to the actual function of the product received by the customer.
- c. The picture is for reference only, please refer to the actual product. The company reserves the right to improve and change the appearance and design of the product without notice



This symbol, affixed to the product or its packaging, indicates that the product must not be processed with household waste. It must be brought to an electric and electronic waste collection point for recycling and disposal. By the appropriate disposal of this product you also help in preventing potentially negative consequences for the environment and human health. The recycling of materials helps preserve our natural resources. For further information regarding the recycling of this product, please contact your municipality, local waste disposal centre or the store where the product was purchased.