

CEILING MOUNT SPEAKER

PC-1860 PC-2360

Thank you for purchasing TOA's Ceiling Mount Speaker.
Please carefully follow the instructions in this manual to ensure long, trouble-free use of your equipment.

1. SAFETY PRECAUTIONS

- Before installation or use, be sure to carefully read all the instructions in this section for correct and safe operation.
- Be sure to follow all the precautionary instructions in this section, which contain important warnings and/or cautions regarding safety.
- After reading, keep this manual handy for future reference.

WARNING

Indicates a potentially hazardous situation which, if mishandled, could result in death or serious personal injury.

CAUTION

Indicates a potentially hazardous situation which, if mishandled, could result in moderate or minor personal injury, and/or property damage.

- Install the unit only in a location that can structurally support the weight of the unit and the mounting bracket. Doing otherwise may result in the unit falling down and causing personal injury and/or property damage.
- Do not use other methods than specified to mount the bracket. Extreme force is applied to the unit and the unit could fall off, possibly resulting in personal injuries.
- Avoid touching the unit's sharp metal edge to prevent injury.
- To avoid electric shocks, be sure to switch off the amplifier's power when connecting speakers.
- Do not operate the unit for an extended period of time with the sound distorting. This is an indication of a malfunction, which in turn can cause heat to generate and result in a fire.

2. GENERAL DESCRIPTION

Integrated with a speaker unit and panel, the PC-1860 and PC-2360 Ceiling Mount Speakers are of all metallic construction and ideal for use in a voice alarm system.

They feature spring clamp mechanism for easy speaker mounting to the ceiling.

The input impedance can be easily changed by changing the tap position of the transformer.

The push-in type input terminal block makes cable connections easy and allows bridge wiring.

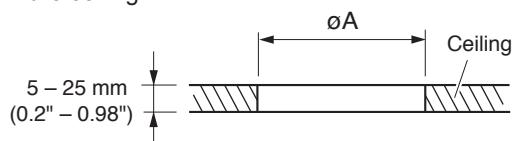
3. SPECIFICATIONS

Model No.	PC-1860	PC-2360
Rated Input	6 W (100 V line), 3 W (70 V line)	
Rated Impedance	100 V line: 1.7 kΩ (6 W), 3.3 kΩ (3 W), 6.7 kΩ (1.5 W), 13 kΩ (0.8 W) 70 V line: 1.7 kΩ (3 W), 3.3 kΩ (1.5 W), 6.7 kΩ (0.8 W), 13 kΩ (0.4 W)	
Sensitivity	94 dB (1 W, 1 m) (500 Hz – 5 kHz, pink noise)	
Frequency Response	80 Hz – 20 kHz (peak –20 dB)	60 Hz – 20 kHz (peak –20 dB)
Speaker Component	12 cm (5") cone-type	16 cm (6") cone-type
Operating Temperature	–10 to +50 °C (14 to 122 °F)	
Dimensions for Fixing Hole	Mounting hole: $\phi 150 \pm 3$ mm ($\phi 5.91" \pm 0.12"$) Ceiling thickness: 5 – 25 mm (0.2" – 0.98")	Mounting hole: $\phi 200 \pm 3$ mm ($\phi 7.87" \pm 0.12"$) Ceiling thickness: 5 – 25 mm (0.2" – 0.98")
Speaker Mounting Method	Spring clamp	
Applicable Cable	Solid wire: 0.5 – 3 mm ² (AWG 20 – 12)	
Connection	Push wire connection (Bridging terminal-2 branch type)	
Finish	Frame: Steel plate, white (RAL 9016 equivalent), paint Grille: Steel net, white (RAL 9016 equivalent), paint	
Dimensions	$\phi 180 \times 70$ (d) mm ($\phi 7.09" \times 2.76"$)	$\phi 230 \times 76$ (d) mm ($\phi 9.06" \times 2.99"$)
Weight	560 g (1.23 lb)	740 g (1.63 lb)
Accessory	Paper pattern 1	

Note: The design and specifications are subject to change without notice for improvement.

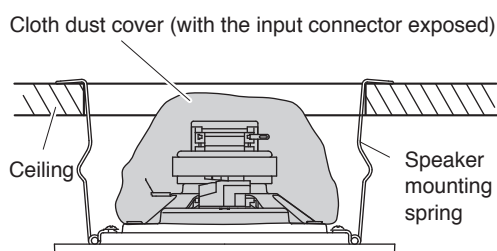
4. INSTALLATION

Step 1. Using the supplied paper pattern as a guide, open a mounting hole of the dimension specified below in the ceiling.



Model No.	ϕA
PC-1860	$\phi 150 \pm 3 \text{ mm } (\phi 5.91" \pm 0.12")$
PC-2360	$\phi 200 \pm 3 \text{ mm } (\phi 7.87" \pm 0.12")$

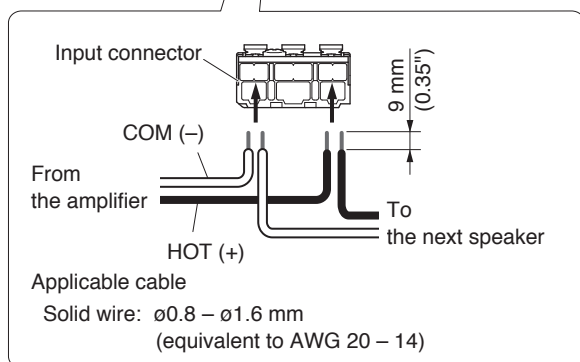
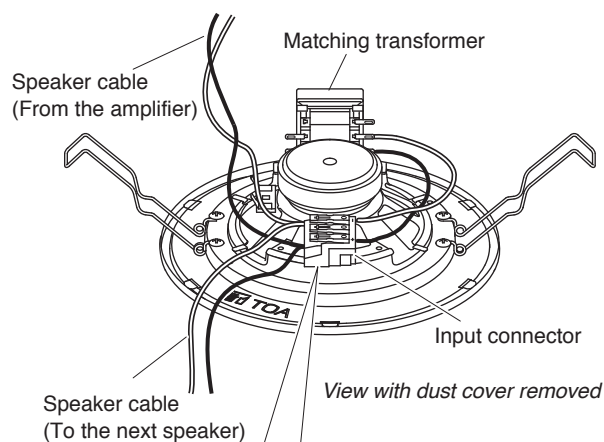
Step 2. Hook the speaker mounting spring into the mounting hole in the ceiling.



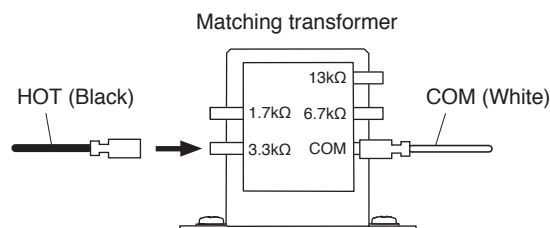
Step 3. Make wiring.

3-1. Insert the lead-in cables (cables from the amplifier) and lead-out cables (cables to other speakers) into the input connector.

[When making a bridge connection]



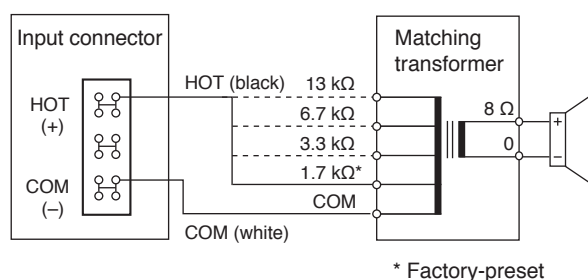
3-2. Change the input impedance as needed. The speaker's input is factory-preset to 1.7 k Ω . When changing the input impedance, detach the black wire connected to the matching transformer, and reinsert it into the desired input tap referring to the tables below.



Impedance	1.7 k Ω	3.3 k Ω	6.7 k Ω	13 k Ω
100 V line	6 W	3 W	1.5 W	0.8 W
70 V line	3 W	1.5 W	0.8 W	0.4 W

Step 4. Push the panel surface into the mounting hole.

5. WIRING DIAGRAMS



Traceability Information for Europe

Manufacturer:
TOA Corporation
7-2-1, Minatojima-Nakamachi, Chuo-ku, Kobe, Hyogo, Japan

Authorized representative:
TOA Electronics Europe GmbH
Suederstrasse 282, 20537 Hamburg, Germany

URL: <https://www.toa.jp/>