

VOLUME CONTROLS

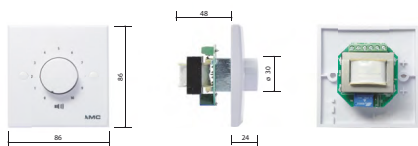
# VC Flush Mount Volume Controls

VC volume controls designed for European style flush-mount boxes.

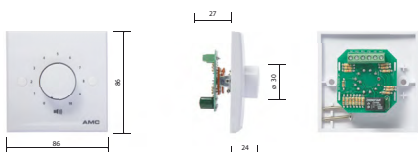
# VC 5R, VC 30R & VC 60R

VC volume controls are designed for use in background music and voice evacuation systems, where local sound level control is required. Equipped with 10-step attenuation. Built-in 24V internal emergency relay with internal switch, so volume controls can be used in passive or active mode. Available for 5W, 30W and 60W power speaker line control.

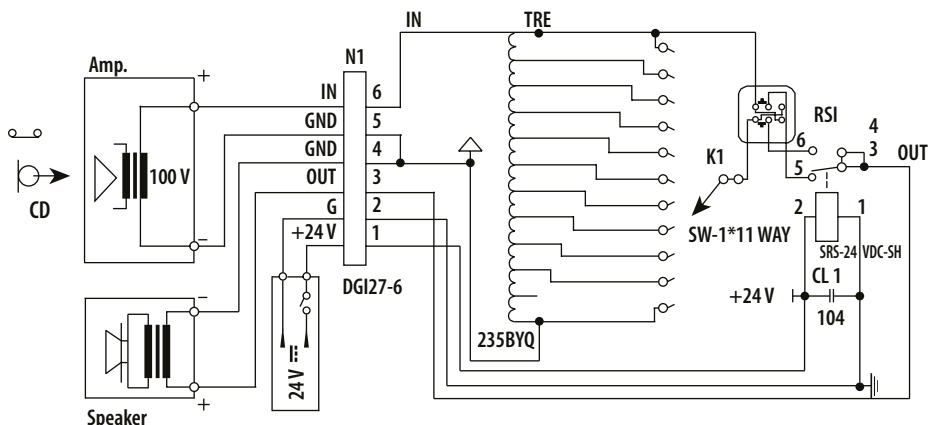
## VC 30R & 60R



## VC 5R



Technical Specifications	VC 5R	VC 30R	VC 60R
Input	5W	30W	60W
Steps	10 + OFF		
Dimensions	86 mm x 86 mm		
Material	Plastic		
Switch modality	DC 24V/6 Wire		
Modality	Resistor	Transformer	
Weight	0,08 kg	0,16 kg	0,18 kg
Emergency relay	DC 24V		



Active mode: Volume control will be fully opened and set to the maximum level until 24V DC is supplied. After DC powering, volume control will come in to operation.  
 Passive mode: Volume control will be active before 24V DC will not be supplied. When DC is powered, Volume control will not be active and volume will be set to maximum level.