

# BS-330/330T (3W)

## Wall-Mounting Box Speakers

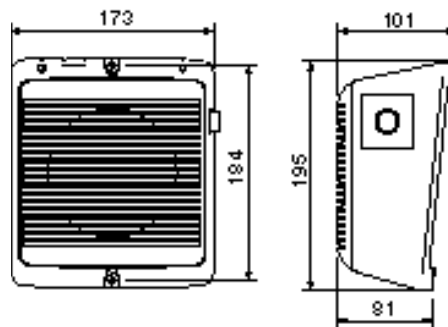


BS-330



BS-330T

Wall-Mounted Announcement/Paging 12cm cone type ABS Resin Box Speaker with Built-in Volume Control (BS-330T) and 120~15,000Hz Frequency Response for Highly Intelligible Sound Reproduction.



Spec	
Input	Rated 3W, max. 4.5W
Input Impedance	3.3k ohms (3W)/10k ohms (1W)
Sound Pressure Level	Input 1W, 1m; 91dB/pink noise (330 - 3,300Hz)
Frequency Response	120 - 15,000Hz
Speaker Component	12cm dynamic cone-type speaker
Dimensions (W × H × D)	173 × 195 × 101mm (except volume control)
Weight	BS-330; 0.78kg /BS-330T; 0.81kg
Finish	Case; ABS resin, Off-white/Rear bood; Hard bood
Attenuation* (at 1W connection)	OFF, 12dB, 6dB, 0dB

\* The model with "T" has an attenuator.