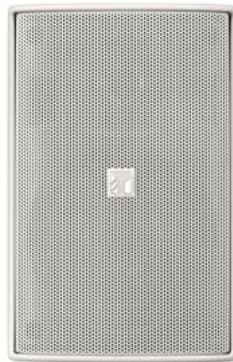




F-1000W

SPEAKER SYSTEM

The F-1000 Series Speaker are compact two-way speaker systems designed for high efficiency, wide range, and high power input handling capability. These speaker systems can be installed in a manner ideal for the location and intended application.



Article number:F-1000W
Alternative products: F-1000B, F-1000BT,
F-1000BTWP, F-1000WT, F-1000WTWP

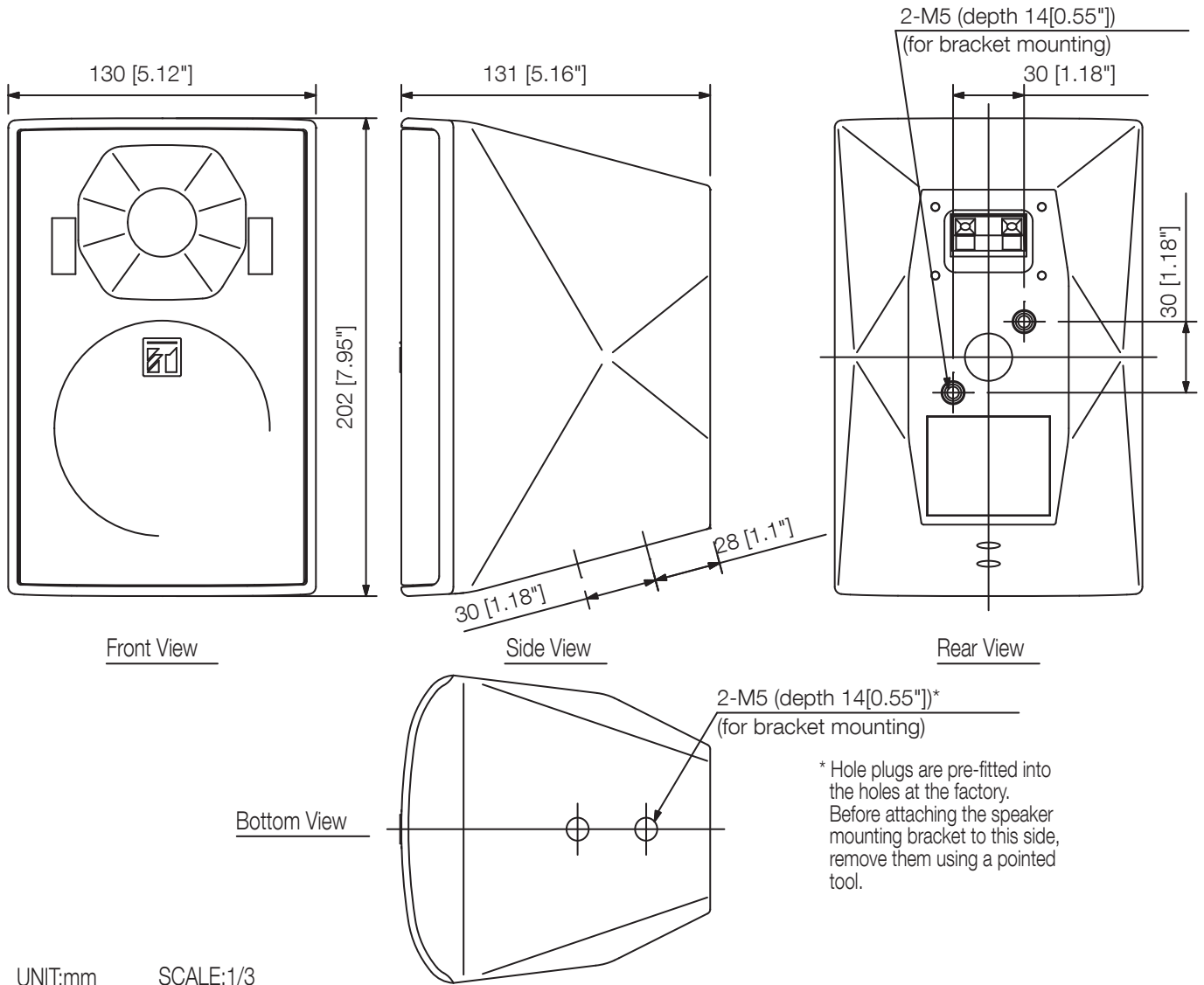
Specifications

Dimensions (W x H x D)	130 x 202 x 131 mm
Dimensions (ø x D)	x 131 mm
Finish	HIPS resin, off-white (RAL 9010 or equivalent),

F-1000W

SPEAKER SYSTEM

Appearance



UNIT:mm

SCALE:1/3