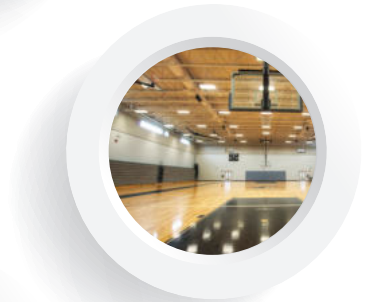
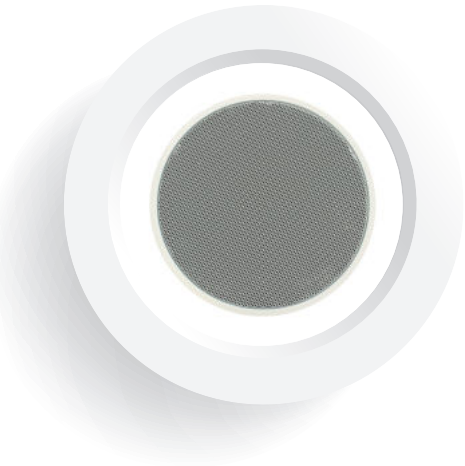
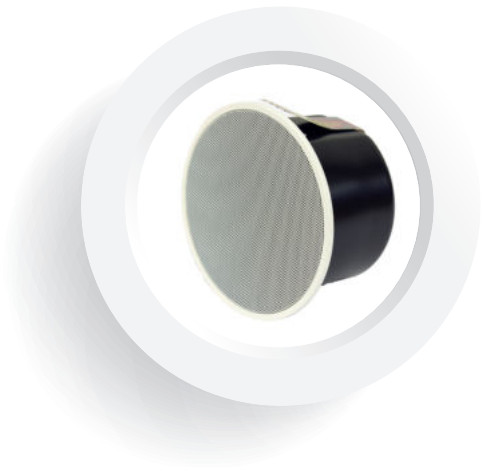




# PC-1860 / PC-1860F PC-1860S / PC-2360

Ceiling Speaker



**Vast capacity and flexibility  
for system expansion beyond  
conventional system coverage.**

# PC-1860 / PC-1860F PC-1860S / PC-2360

## Ceiling Speaker

The ceiling speakers of the PC-series are suitable for announcements and BGM system use in high quality. The speaker's modern, flat design with small frame harmonizes with modern architecture and decor.

The PC-1860F speaker is equipped with a fire dome to protect and prevents fire from spreading through the ceiling.

### Common Features

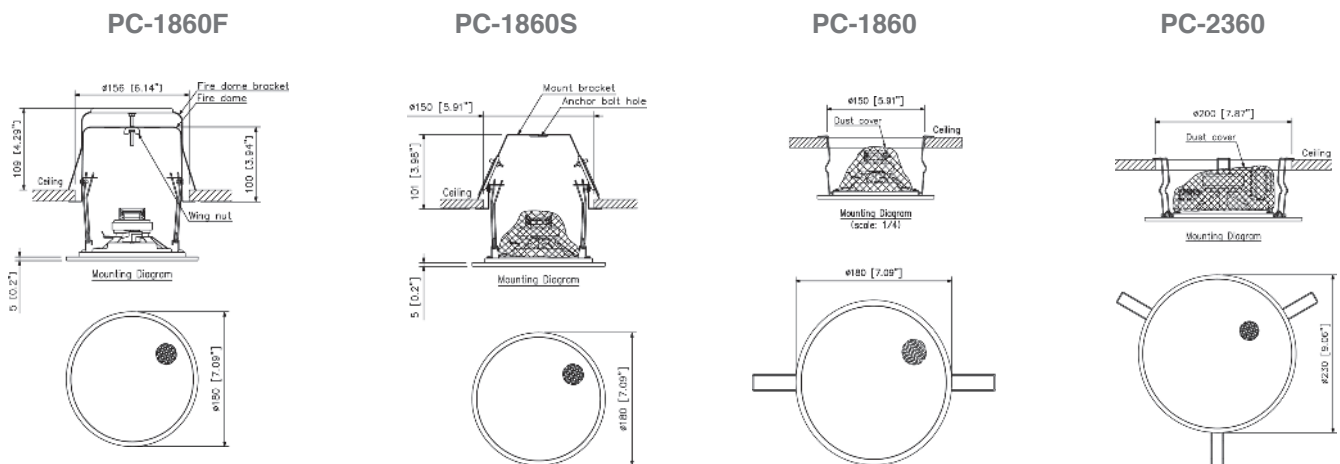
- 6W rated input
- Snap in cable terminal
- Flat front panel
- Quick and easy installation

### PC-1860F / PC-1860S

- 12 cm speaker
- Mounting brackets (PC-1860S)
- Fire dome made of steel (PC-1860F)

### PC-1860 / PC-2360

- Easy installation with spring catches
- 12/16 cm speaker
- Dust cover



### Specifications

	PC-1860F	PC-1860S	PC-1860	PC-2360
Tappings	6 / 3 / 1.5 / 0.8W (100V), 3 / 1.5 / 0.8 / 0.4W (70V)			
Frequency Response	170Hz – 20kHz		80Hz – 20kHz	60Hz – 20kHz
Speaker Component	5" cone-type			6" cone-type
Colour	Traffic white (RAL 9016 or equivalent colour)			
Weight	1.0kg	0.75kg	0.56kg	0.74kg

### TOA Electronics Europe GmbH

www.toa.eu

The technical specifications may contain errors  
and are subject to change without notice.  
Printed in Germany (18012) L833TEEC351 QJ

**We supply sound, not equipment.**

www.toa.eu