

F-1300B

SPEAKER SYSTEM

The F-1300 Series Speaker are compact two-way speaker systems designed for high efficiency, wide range, and high power input handling capability. These speaker systems can be installed in a manner ideal for the location and intended application.



Article number: F-1300B
 Alternative products: F-1300BT, F-1300BTWP,
 F-1300W, F-1300WT, F-1300WTWP

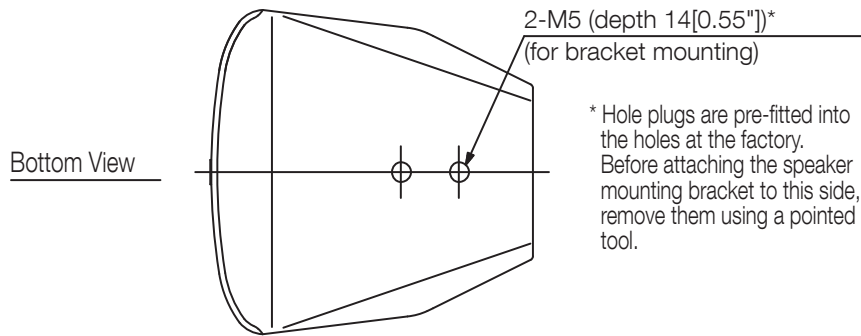
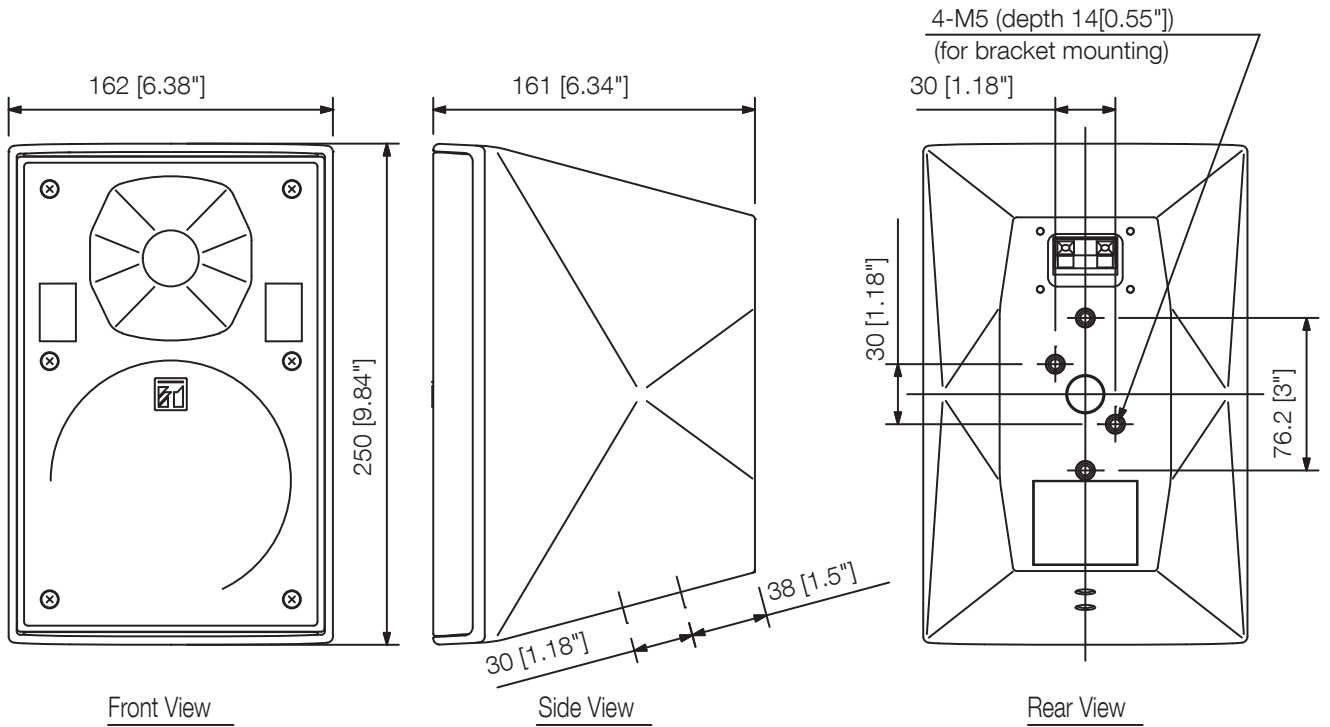
Specifications

Dimensions (W x H x D)	162 x 250 x 161 mm
Dimensions (ø x D)	x 161 mm
Finish	HIPS resin, black (RAL 9011 or equivalent),

F-1300B

SPEAKER SYSTEM

Appearance



* Hole plugs are pre-fitted into the holes at the factory. Before attaching the speaker mounting bracket to this side, remove them using a pointed tool.

UNIT:mm SCALE:1/4