



FOR
 SCREENS UP
 TO 200KG

BT9903

XL HEAVY DUTY UNIVERSAL FLAT SCREEN WALL MOUNT

Designed to mount the largest screens on the market, the heavy duty BT9903 is capable of supporting weights of 200kg when wall mounted. It is ideal for heavy touchscreens over 65" with the universal interface accommodating screens with mounting patterns up to 1000mm x 600mm. With keyhole fixings on the wall plate and a hook-on mounting system, the BT9903 is designed for an easy installation and features height adjustment screws which allow the screen to be levelled once mounted.

SPECIFICATION

Recommended screen size	65" up to 120"
Max load	200kg*
VESA® & non-VESA fixings	up to 1000 x 600mm
Distance from wall	35mm

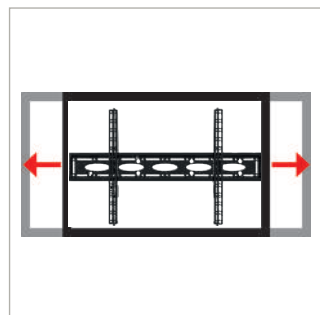
*Weight limited to 130kg when ceiling mounted across two poles

FEATURES

- Designed to mount extra-large screens 65" and over
- Low profile design mounts screen close to the wall
- Lateral adjustment of screen once mounted
- Adjustment screws allow screen to be levelled once mounted
- Safety screws included to prevent removal of screen
- Compatible with B-Tech's System 2 pole mounting system
- Simple 'hook-on' installation with all mounting hardware included




Ultra-Slim design mounts screen only 35mm from the wall



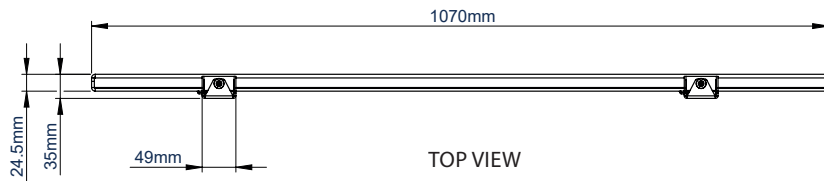
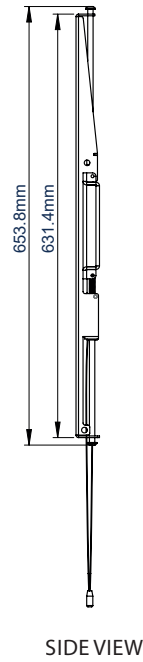
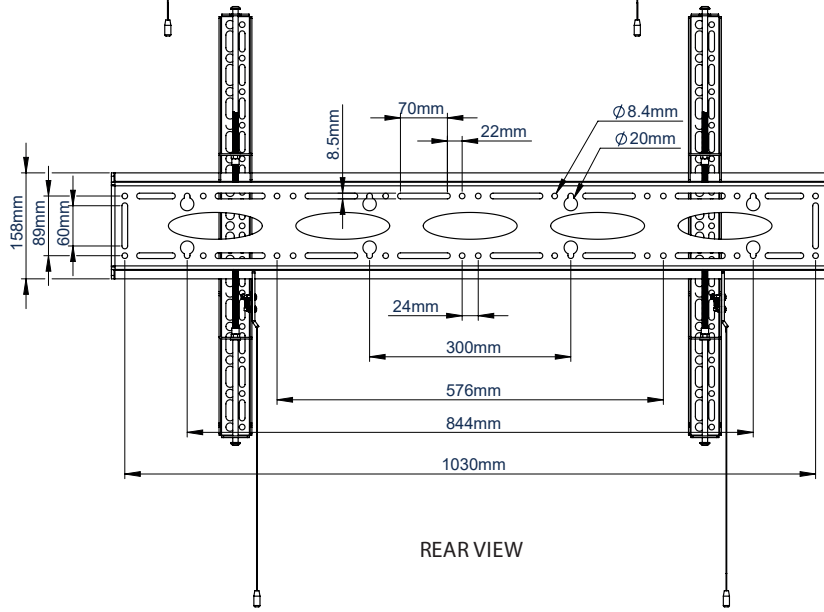
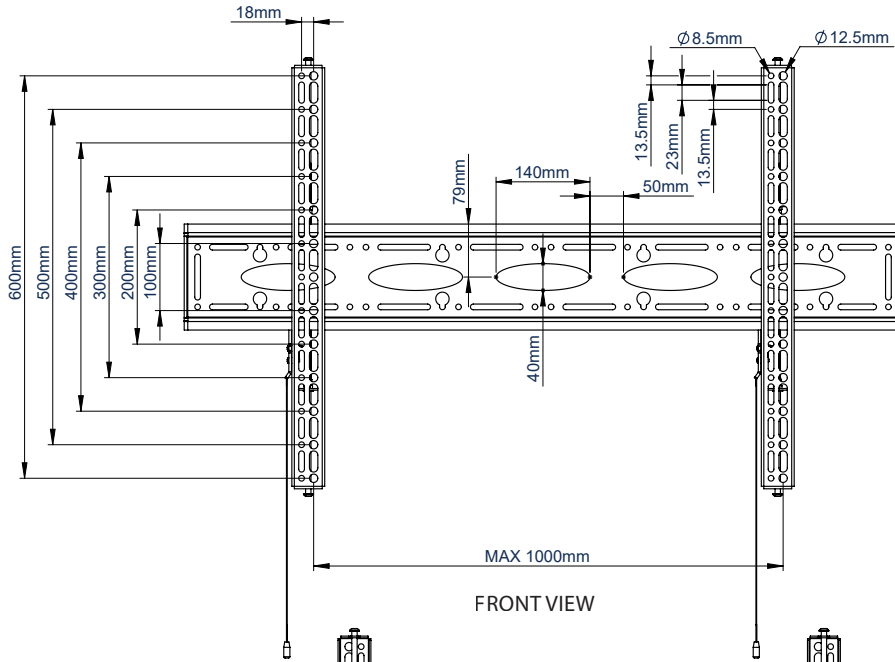
Post installation screen alignment



Adjustment screws allow screen to be levelled once mounted



Compatible with B-Tech's collar and pole system for pole mounting heavy duty screens



PACKING INFORMATION

COLOUR:	ORDER REF:	EAN CODE:	MASTER CARTON QTY:	MASTER CARTON WEIGHT:	MASTER CARTON CUBE:
Black	BT9903/B V2	5019318759079	1	9kg	0.018cbm

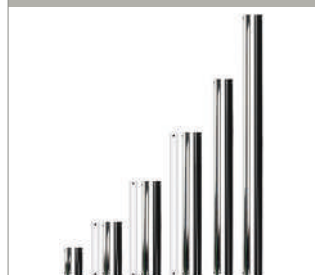
ACCESSORIES AND RELATED PRODUCTS

BT7807



Heavy Duty Twin Pole Ceiling / Floor Mount for Ø50mm poles

BT7850



Ø50mm Poles are designed for ceiling, floor or floor-to-ceiling installations, available up to 3m

BT9910



Universal XL Flat Screen Wall Mount with Tilt for screens up to 100"

BT8448



Universal XL Flat Screen Ceiling Mount for screens up to 130kg

© 2015 B-Tech Av Mounts. All rights reserved. The information in this specific technical specification is the property of B-Tech Av Mounts. No part of this publication may be reproduced, stored in a retrieval system, or transmitted, in any form or by any means, electronic, mechanical, photocopying, recording, or by any information storage and retrieval system, without the prior written permission of B-Tech Av Mounts. B-Tech Av Mounts is not responsible for any damage or loss of data caused by improper use of the product. Any reproduction or transmission or publication of any part of this specification is strictly prohibited unless prior written permission has been granted by B-Tech Av Mounts Ltd. (BTL)

SS-BT9903V2-V3-120521