



**FOR TWO  
SCREENS  
UP TO 65"**

# BT85 16

## UNIVERSAL TWIN SCREEN VC TROLLEY

### FOR SCREENS UP TO 65"

The BT8516 is a premium mounting solution designed to mount two screens side by side for video conferencing applications. The Trolley is supplied with an adjustable VC shelf that allows cameras to be fitted above or below the screen. Integrated cable management hides cables for a smart installation in any environment and non-marking braked castors allow the trolley to be relocated easily and safely without marking floor surfaces. Screw-in levelling feet for freestanding applications are available separately.

#### SPECIFICATION

Recommended screen size	56" - 65"
Max load	70kg per screen
VESA® and non-VESA fixings	up to 600 x 400mm
Dimensions (Trolley)	W:2004mm H:1905mm D:991mm
Dimensions (VC Shelf)	W:120mm H:3mm D:235mm
Colour options	Black, Black & Silver or White

#### FEATURES

- Universal design suitable for mounting two screens side by side
- High-end aesthetic quality
- Heavy duty steel base construction provides stability, eliminating the need to bolt to the floor
- Includes VC shelf which can be fixed above or below the screen
- VC shelf fits most cameras with 1/4" thread with 100 x 100mm fixing points
- Interface arms include levelling screws to adjust the screen height
- Integrated cable management for a smart installation
- Safety screws help prevent unauthorised screen removal
- Dual colour options available for a modern contemporary look
- Adjustable levelling feet for a freestanding installation are available separately (BT856-FEET)
- Simple 'hook-on' screen installation with all mounting hardware included



SYSTEM X™

PER SCREEN



Interface arms include levelling screws to adjust the height of the screen



Additional AV accessory shelves can be fitted directly to the column

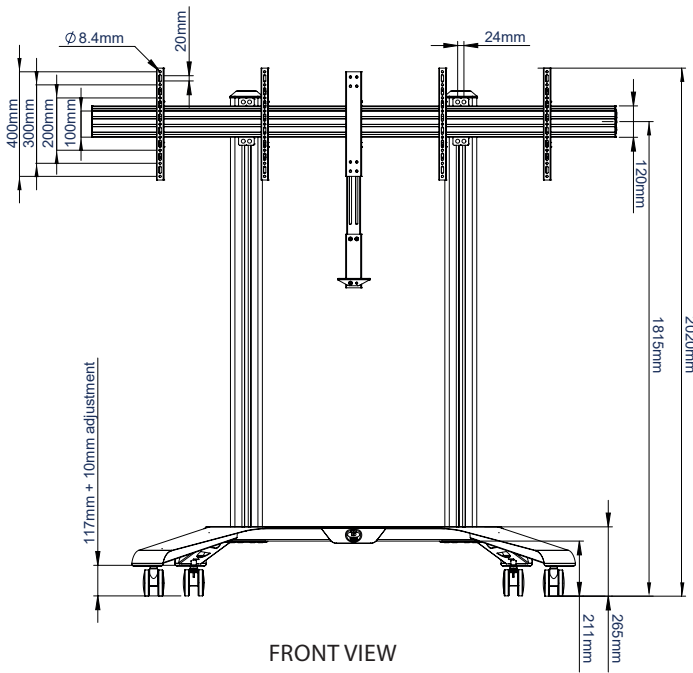


Dual colour options available for a modern contemporary look

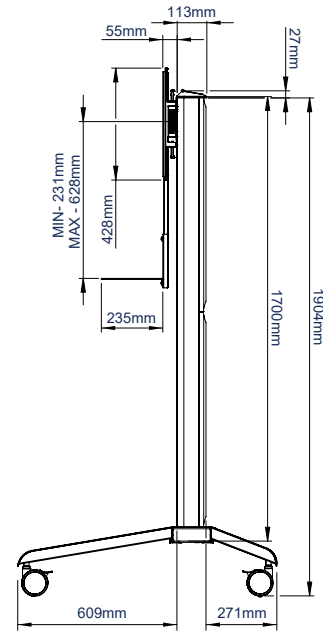
**ALSO AVAILABLE...**



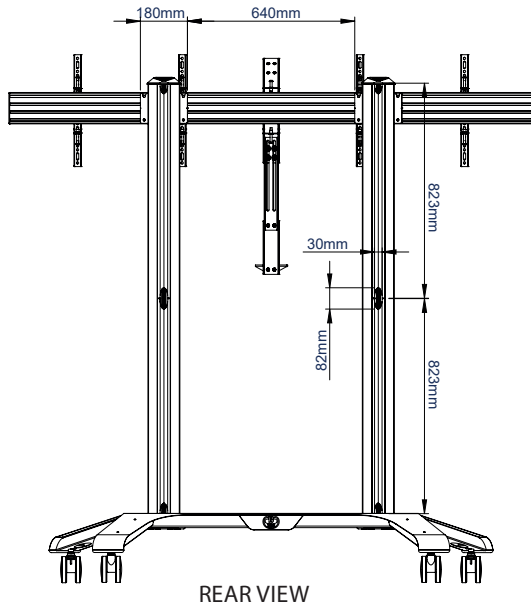
BT856-FEET are available in packs of 4 & allow the trolley to be fitted with adjustable levelling feet for a freestanding installation



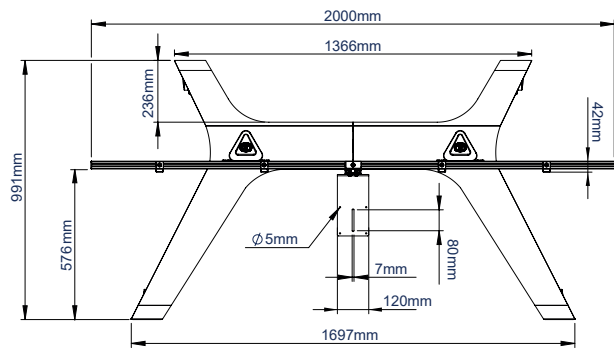
FRONT VIEW



SIDE VIEW



REAR VIEW



TOP VIEW

**PACKING INFORMATION**

PLEASE NOTE, THIS IS A 3 BOX ITEM.

COLOUR:	ORDER REF:	EAN CODE:	CARTON QTY:	CARTON WEIGHT:	CARTON CUBE:
Black	BT8516/B	5019318302992	3	40kg / 14kg / 7kg	0.259cbm / 0.113cbm / 0.044cbm
Black & Silver	BT8516/BS	5019318303005	3	40kg / 14kg / 7kg	0.259cbm / 0.113cbm / 0.044cbm
White	BT8516/W	5019318303012	3	40kg / 14kg / 7kg	0.259cbm / 0.113cbm / 0.044cbm

**ACCESSORIES AND RELATED PRODUCTS**



**BT8515**  
Universal Twin Screen VC Trolley  
for screens up to 55"



**BT8514**  
Universal Twin Screen VC Trolley  
for screens up to 46"



**BT8521**  
Universal Twin Screen VC Stand  
for screens up to 46"



**BT845**  
Universal Twin Screen VC Stand  
for screens up to 55"

© 2015 B-Tech Mounts Ltd. All rights reserved. The information in this specification is for reference only. B-Tech Mounts Ltd. is not responsible for any damage or loss of data caused by improper use, installation or mounting on unsuitable structures. Any reproduction or retransmission or publication of any part of this specification is expressly prohibited unless prior written permission has been granted by B-Tech Mounts Ltd. or its authorized representative.