



STAND
 HEIGHT
 60CM

BT606

ATLAS™ SPEAKER STANDS

60CM (PAIR)

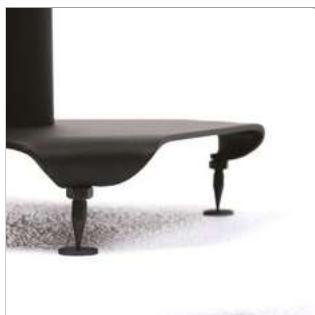
Supplied in pairs these Atlas floor stands are designed for speakers up to 35kg. Mounting the speakers at a height of 60cm, the BT606 is easy to assemble and the columns can be filled with sand for sound dampening. Stable on any flooring, the stands are supplied with sound isolating spikes and floor discs to protect wooden/tiled floors, alternative foam pads are also included.

SPECIFICATION

Max load	35kg
Stand height	60cm
Top plate dimensions	160 x 160mm
Base plate dimensions	240 x 240mm
Colour	Black

FEATURES

- Twin columned floor stands for loudspeakers
- Fillable columns for superior dampening
- Solid construction using heavy gauge steel for enhanced stability
- Top and bottom isolation spikes provided
- Foam pads included as an alternative to isolating support spikes
- Suitable for all types of floors including wood & carpet with supplied protection discs
- Supplied in pairs



Bottom isolation spikes supplied with floor protection discs



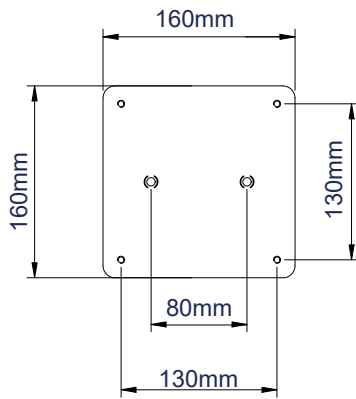
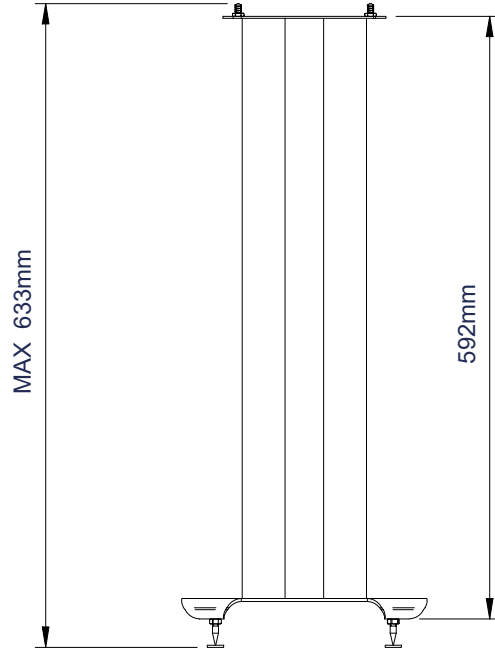
Supplied with isolation spikes and alternative foam pads



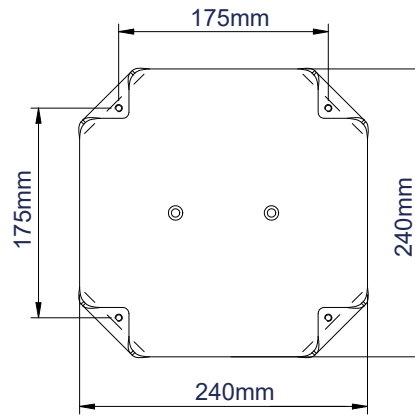
Use dry sand to fill columns for superior dampening



Supplied in retail packaging - ideal for the consumer market



TOP PLATE



BASE PLATE

PACKING INFORMATION

ORIGINAL DESIGNS BY B-TECH AV MOUNTS - REGISTERED DESIGNS & PATENTS APPLY

COLOUR:	ORDER REF:	EAN CODE:	MASTER CARTON QTY:	INNER CARTON QTY:	MASTER CARTON WEIGHT:	MASTER CARTON CUBE:
Black	BT606/B	5019318036064	2	N/A	15.24kg	0.33cbm

RELATED PRODUCTS

<p>BT604</p> <p>Atlas Speaker Stands Height 40cm</p>	<p>BT608</p> <p>Atlas Speaker Stands Height 80cm</p>	<p>BT77</p> <p>Side Clamping Speaker Wall Mounts for speakers up to 25kg</p>	<p>BTV920</p> <p>Home Cinema Speaker Floor Stands For speakers up to 2kg</p>
---	---	---	---

© 2016 B-Tech Consumer Products. All rights reserved. The information in this specification is for reference only. B-Tech reserves the right to change the technical or physical specifications without notice. This B-Tech name and logo are registered trademarks of B-Tech International Design & Manufacturing Ltd. B-Tech accepts no liability for loss or damage caused by improper or negligent installation, use, or modification of the product. Any reproduction or transmission or replication of any part of this specification is strictly prohibited, unless prior written permission has been granted by B-Tech International Design & Manufacturing Ltd. (B-Tech).

SS-V2-BT606-010819