



A710-TB

Tile Bridge for MXA710 Microphones

A710-TB ceiling and suspension mount kit user guide. Use the tile bridge and included accessories to install MXA710 microphones in drop ceiling grids.

Version: 0.3 (2020-L)

Table of Contents

A710-TB Tile Bridge for MXA710 Microphones	3	Suspending the MXA710-2FT from Ceiling Tiles	7
A710-TB Tile Bridge Accessory	3	4-Foot Installation	9
What's in the Box	3	Placing 2 Tile Bridges in the Ceiling	10
2-Foot Installation	3	Mounting the MXA710-4FT on Ceiling Tiles	11
Placing the Tile Bridge in the Ceiling	3	Suspending the MXA710-4FT from Ceiling Tiles	14
Mounting the MXA710-2FT on Ceiling Tiles	5	Contact Customer Support	16
		IMPORTANT SAFETY INSTRUCTIONS	16

A710-TB Tile Bridge for MXA710 Microphones

A710-TB Tile Bridge Accessory

The A710-TB Tile Bridge Accessory allows for easy installation of the MXA710 Linear Array Microphone with drop ceiling grids. Mount the microphone directly to the ceiling tiles, or suspend the microphone from the grid using the included cables. Use 1 tile bridge to mount the MXA710-2FT, or 2 tile bridges to mount the MXA710-4FT. Each tile bridge has knockouts for cable routing and includes a hardware kit for both mounting options.

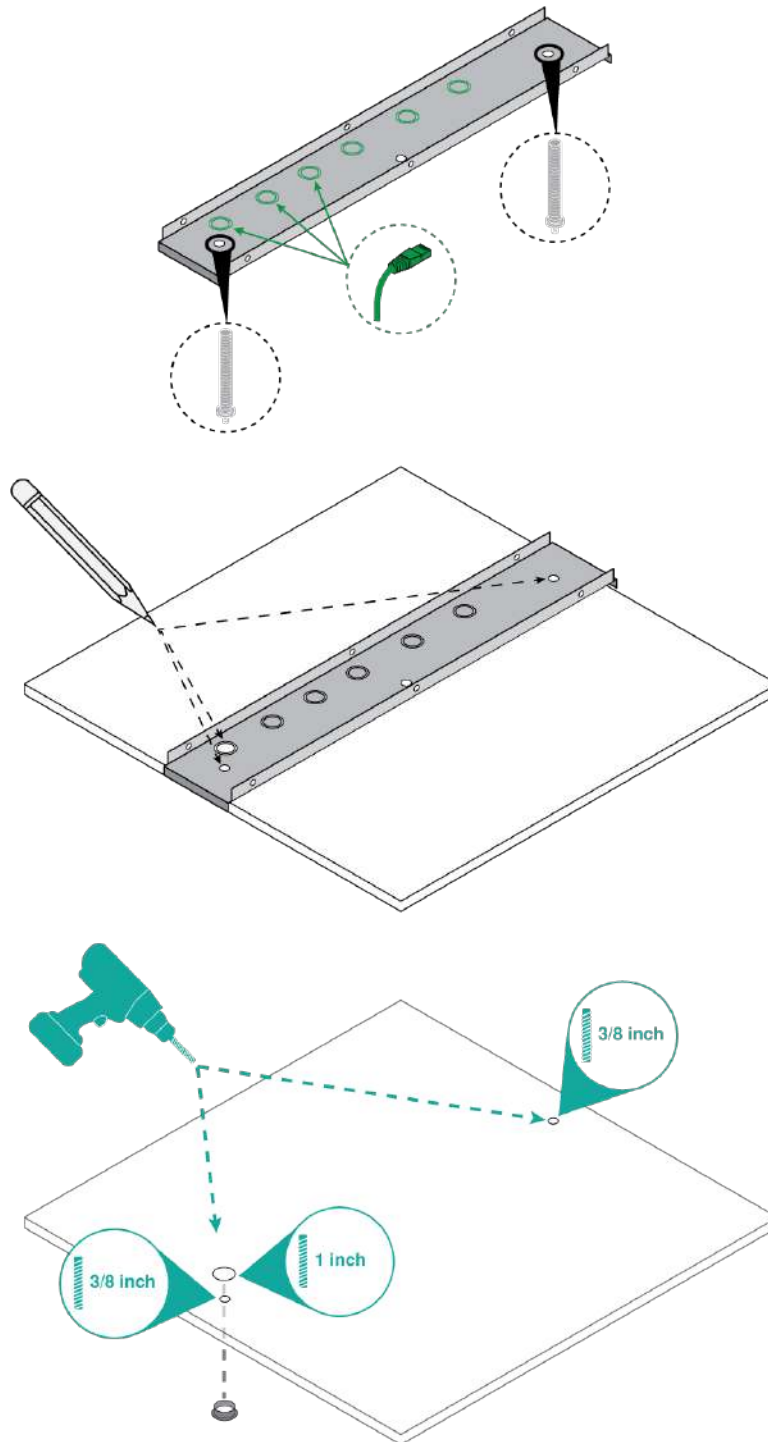
What's in the Box

- Tile bridge (1)
- Cable ties (8)
- Gripple Angel Connector kit with:
 - Gripple Angel connectors (2)
 - M5 washers for suspension eyelets (2)
 - Wing nuts (2)
 - M10 washers for mounting bolts (2)
 - Mounting bolts (2)
 - Eyelets attached to 10 foot steel cables (2)
 - Finishing ring (1)

2-Foot Installation

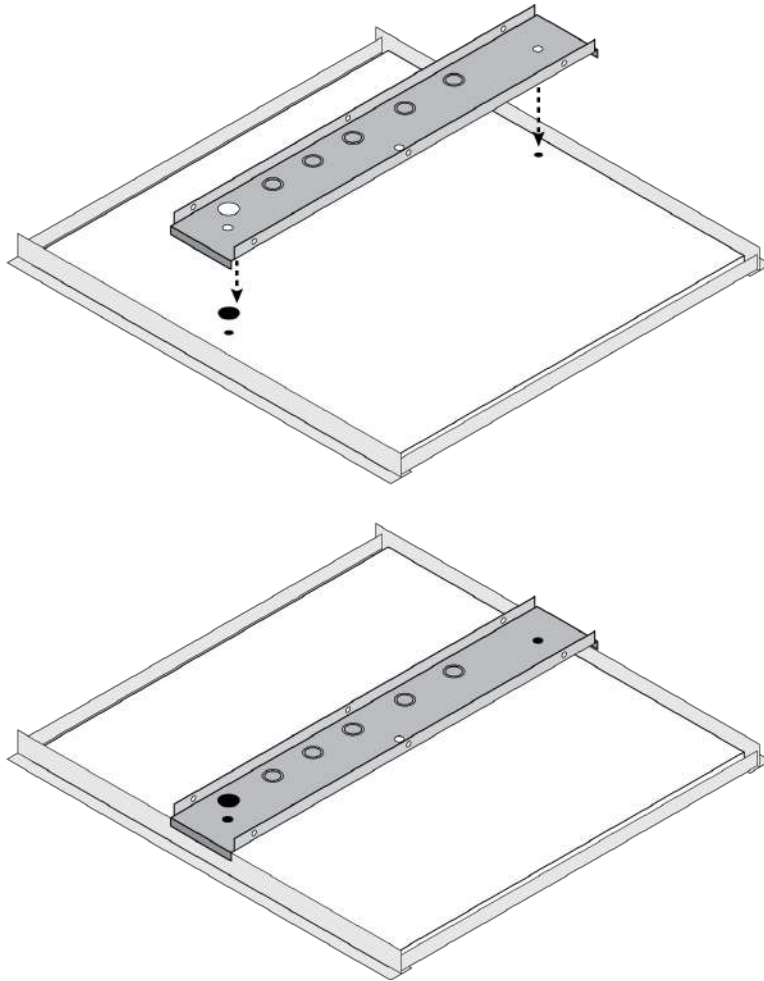
Placing the Tile Bridge in the Ceiling

1. Remove the ceiling tile.
2. Position the tile bridge on the tile. Drill holes for the bolts and Ethernet cable. If you're suspending the MXA710, install the finishing ring in the hole for the Ethernet cable.



3. Reinstall the ceiling tile. Place the tile bridge on the T-bars and align it with the holes in the ceiling tile. If required, connect conduit and pull the Ethernet cable through the ceiling tile.

Tip: Remove an adjacent ceiling tile for easier access to the tile bridge and Ethernet cable.

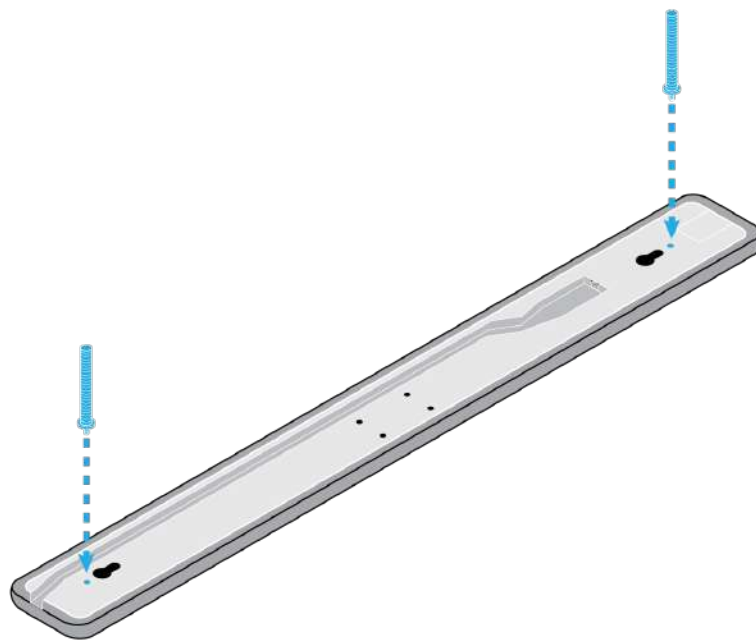


Mounting the MXA710-2FT on Ceiling Tiles

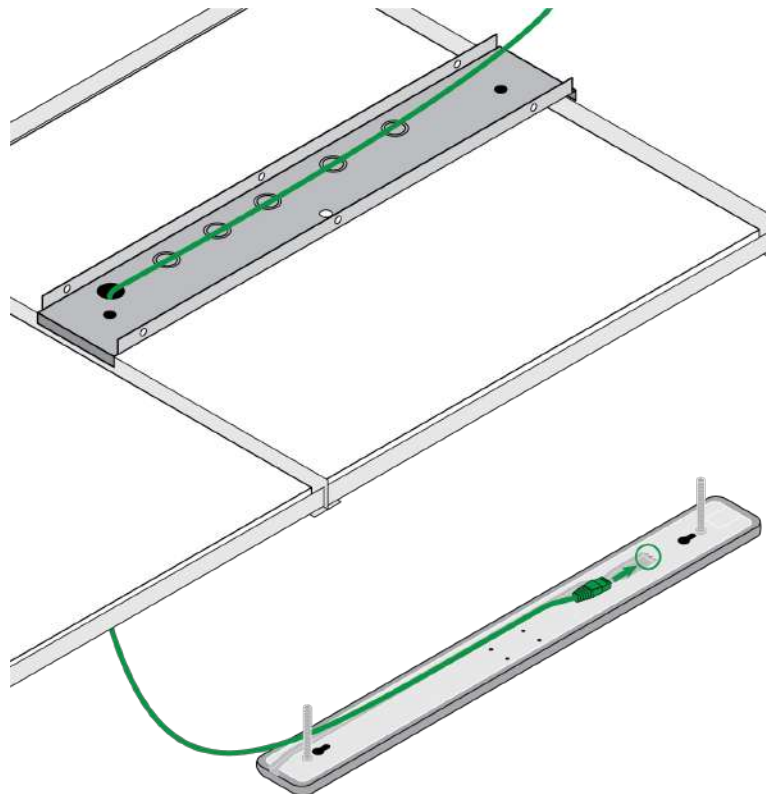
To install, you will need:

- 1 tile bridge
- Mounting bolts
- Ethernet cable
- Wing nuts
- M10 washers

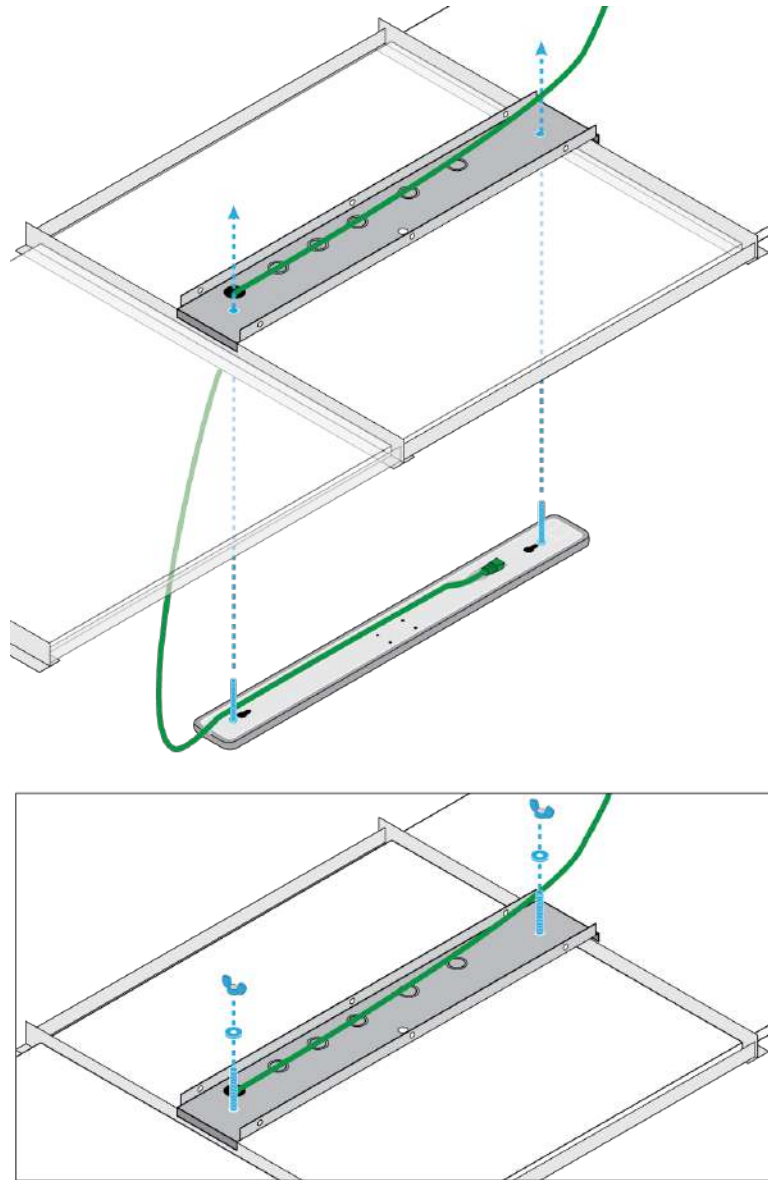
1. Attach the bolts to the microphone.



2. Route the Ethernet cable and connect it to the microphone.



3. Push the bolts through the holes in the ceiling tile to place the microphone on the ceiling. Hold the microphone in place and attach the wing nuts and washers to the bolts.

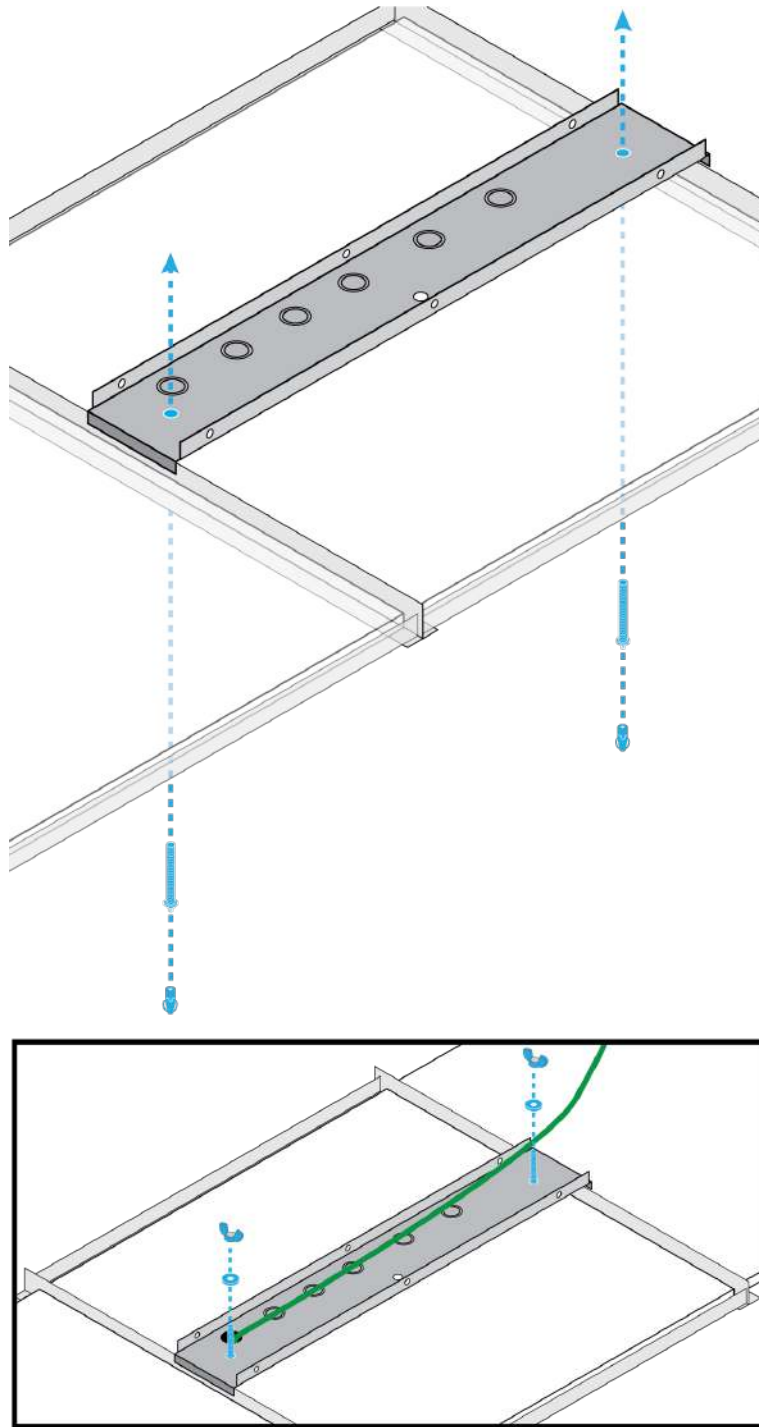


Suspending the MXA710-2FT from Ceiling Tiles

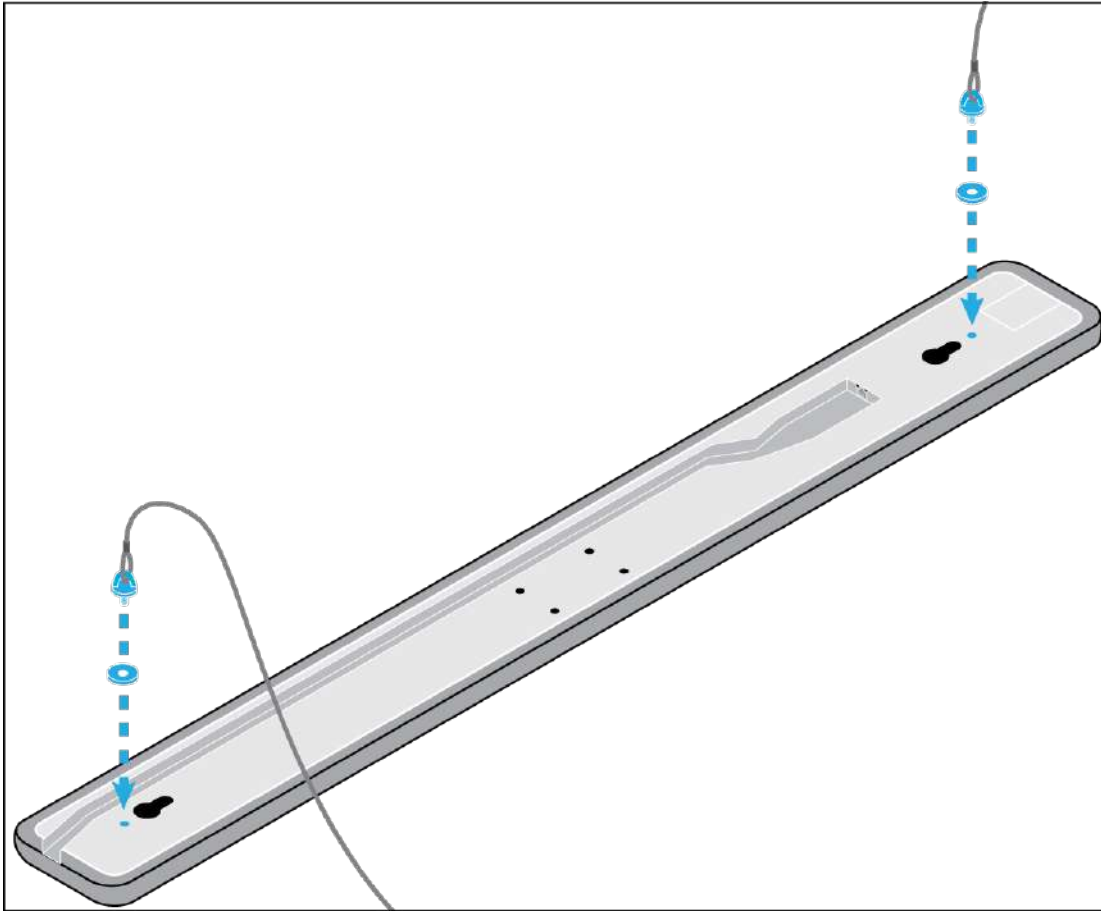
To get started, you will need:

- 1 tile bridge
- Gripple Angel connectors
- Mounting bolts
- Wing nuts
- M10 washers
- Ethernet cable
- Eyelets and steel cables
- M5 washers
- Finishing ring

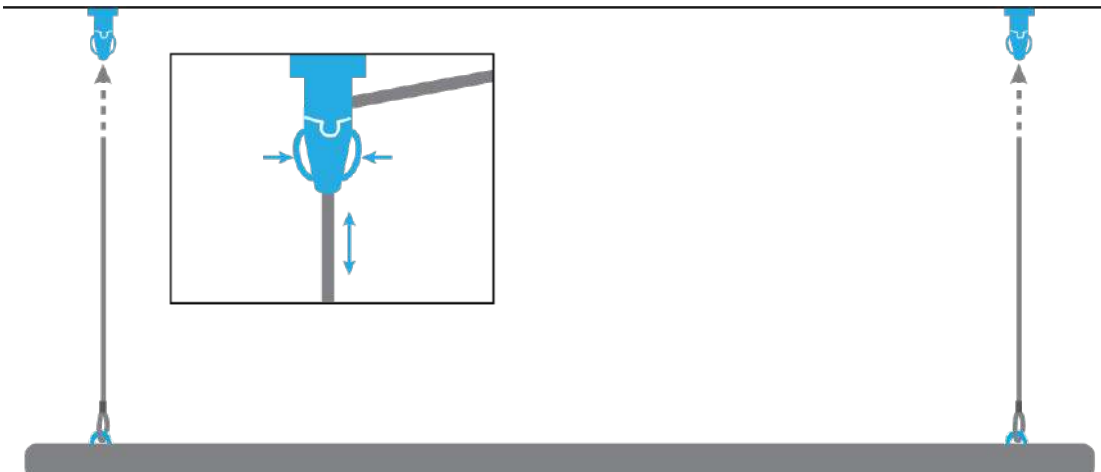
1. Tightly attach the Gripple Angel connectors to the narrow end of the mounting bolts. Push the bolts through the holes in the ceiling tile. Attach the wing nuts and M10 washers to the bolts and route the Ethernet cable.



2. Attach the eyelets, cable, and M5 washers to the MXA710.



3. Thread the cable ends through the 2 Gripple connectors as shown. Squeeze the sides of the Gripple connector to adjust the cable's length. Trim excess cable, leaving at least 1 inch (25 mm).



4. Connect the Ethernet cable to the microphone.

Tip: Use the cable ties to secure the Ethernet cable to the suspension cable.

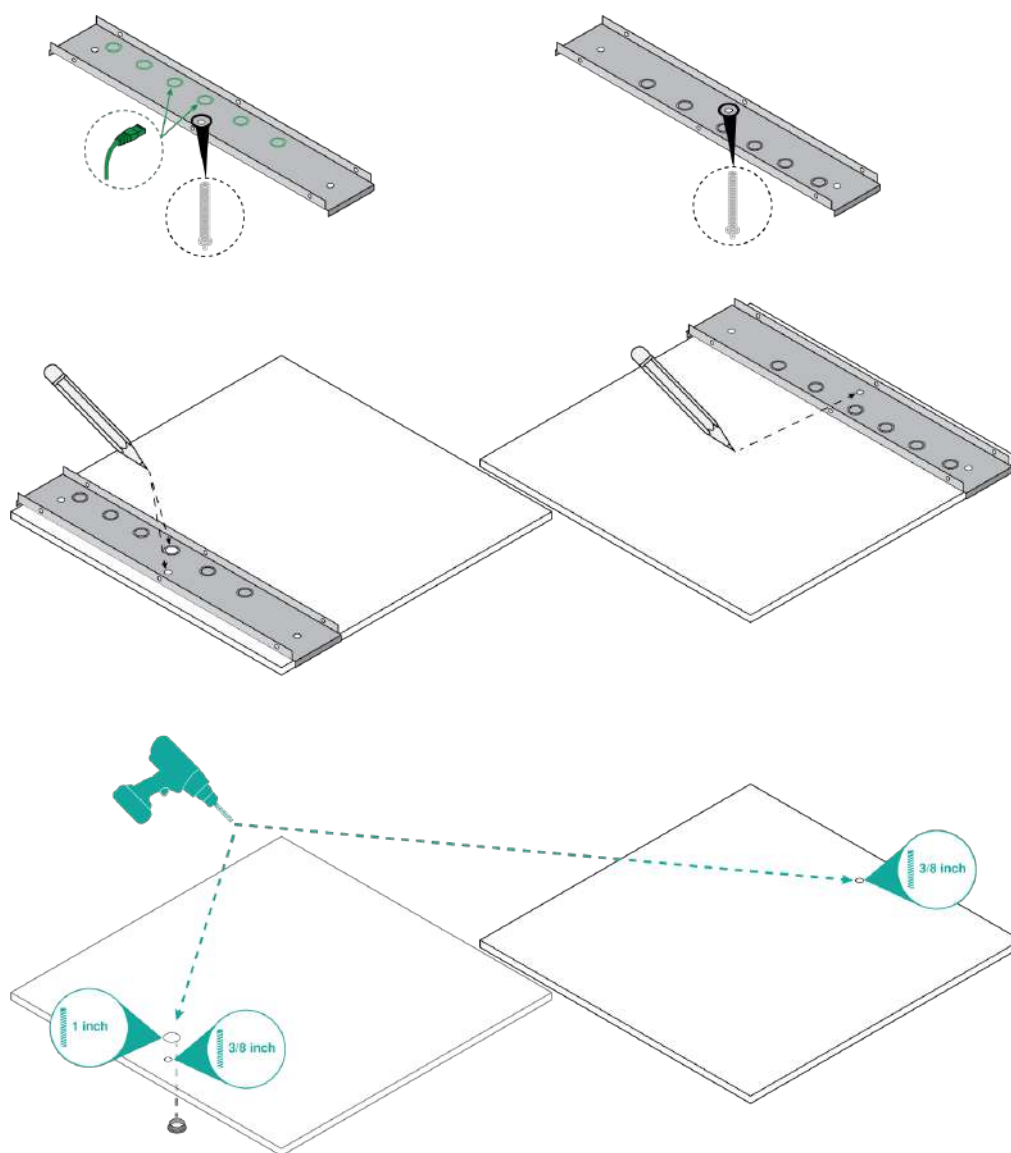
4-Foot Installation

Placing 2 Tile Bridges in the Ceiling

This installation requires 2 A710-TB kits.

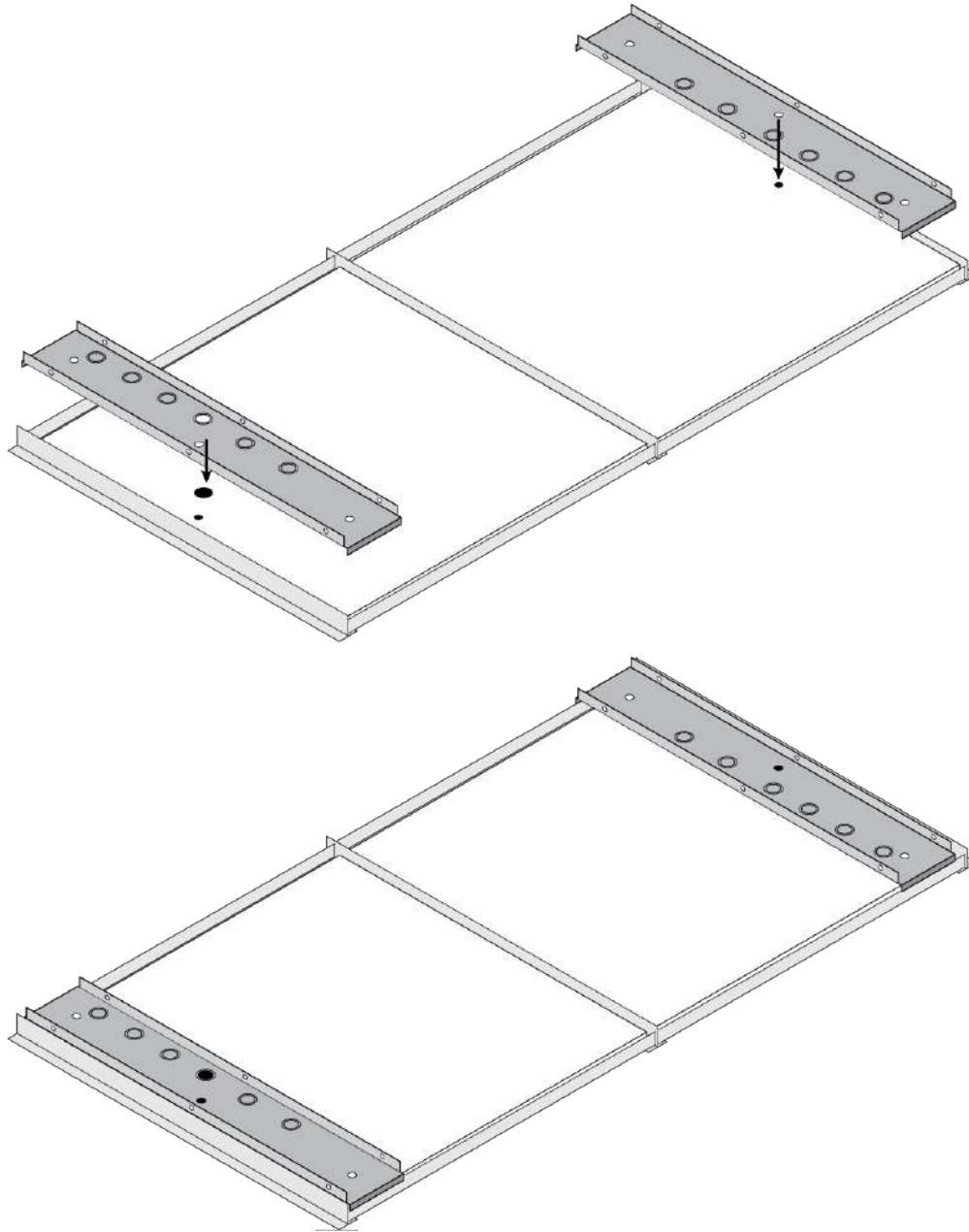
1. Remove 2 adjacent ceiling tiles. Position the tile bridges at opposite ends of the tiles.
2. Mark locations for the bolts and the Ethernet cable. The bolt holes on an MXA710-4FT are 45 inches apart (1143 mm). Check measurements to leave space for the T-bar between the 2 tiles.

Drill holes for the bolts and Ethernet cable. If you're suspending the MXA710, install the finishing ring in the hole for the Ethernet cable.



3. Reinstall the ceiling tiles. Place the tile bridges on the T-bars and align them with the holes in the ceiling tiles. If required, connect conduit and pull the Ethernet cable through the ceiling tile.

Tip: Remove adjacent ceiling tiles for easier access to the tile bridges and Ethernet cable.



Mounting the MXA710-4FT on Ceiling Tiles

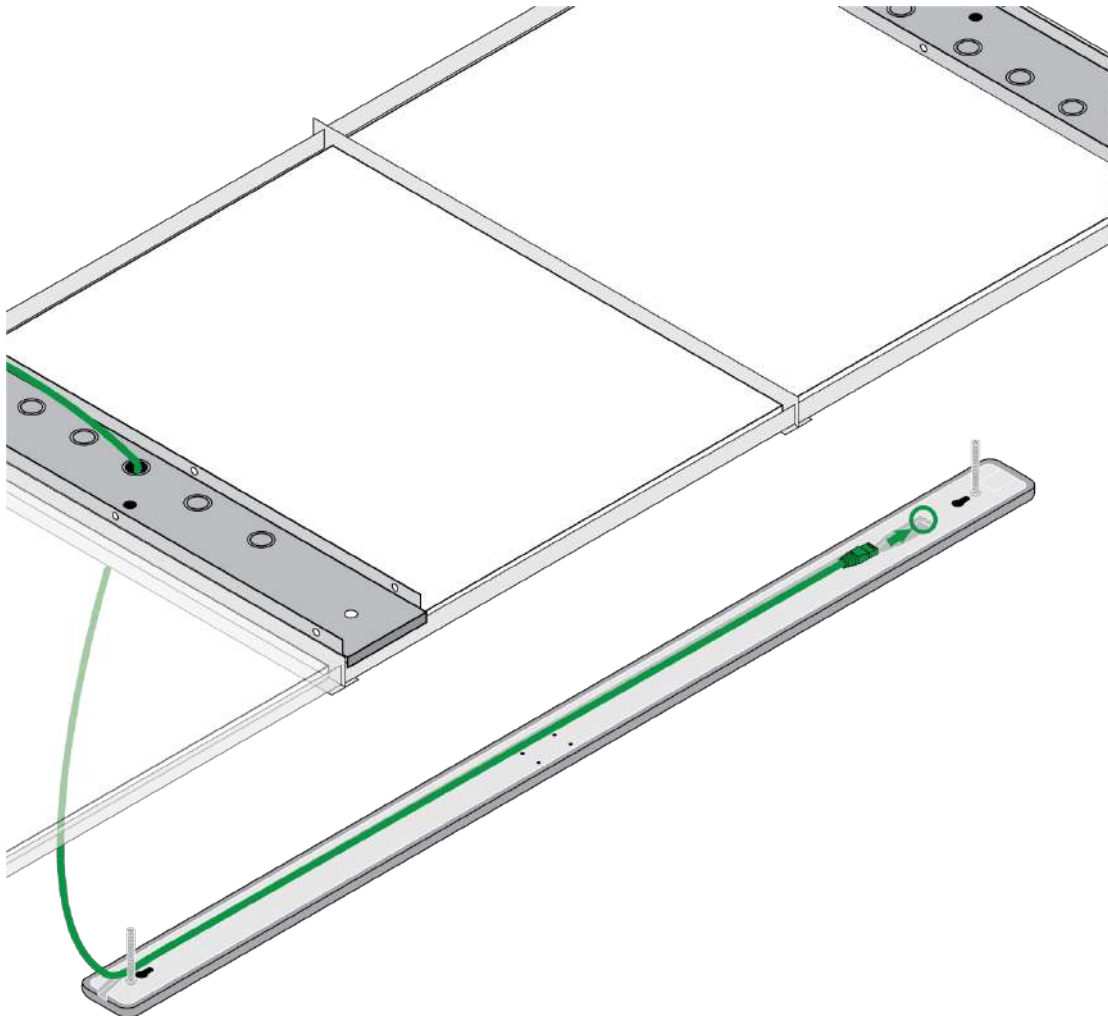
To install, you will need:

- 2 tile bridges
- Mounting bolts
- Ethernet cable
- Wing nuts
- M10 washers

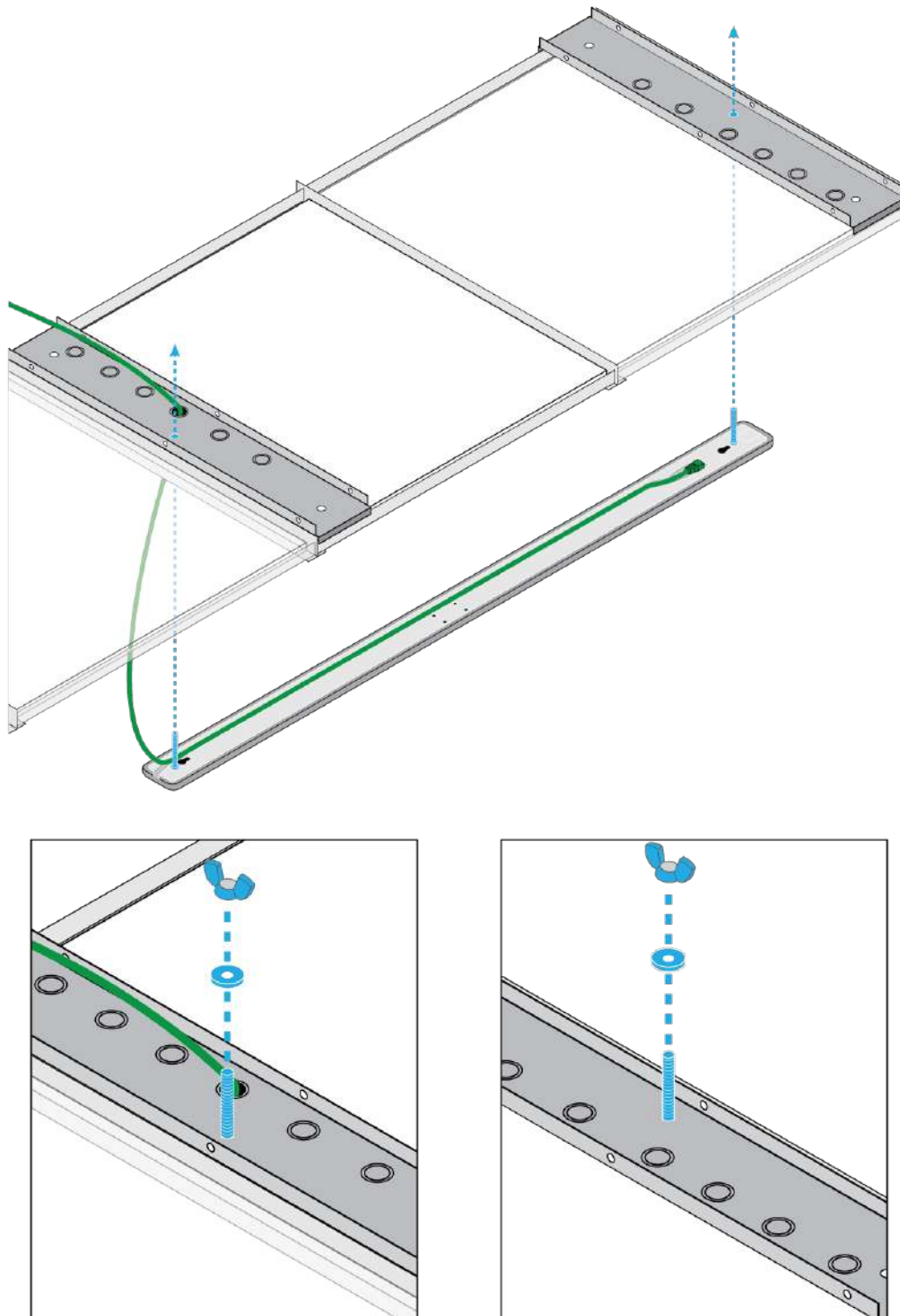
1. Attach the bolts to the microphone.



2. Route the Ethernet cable and connect it to the microphone.



3. Push the bolts through the holes in the ceiling tiles to place the microphone on the ceiling. Hold the microphone in place and attach the wing nuts and washers to the bolts.



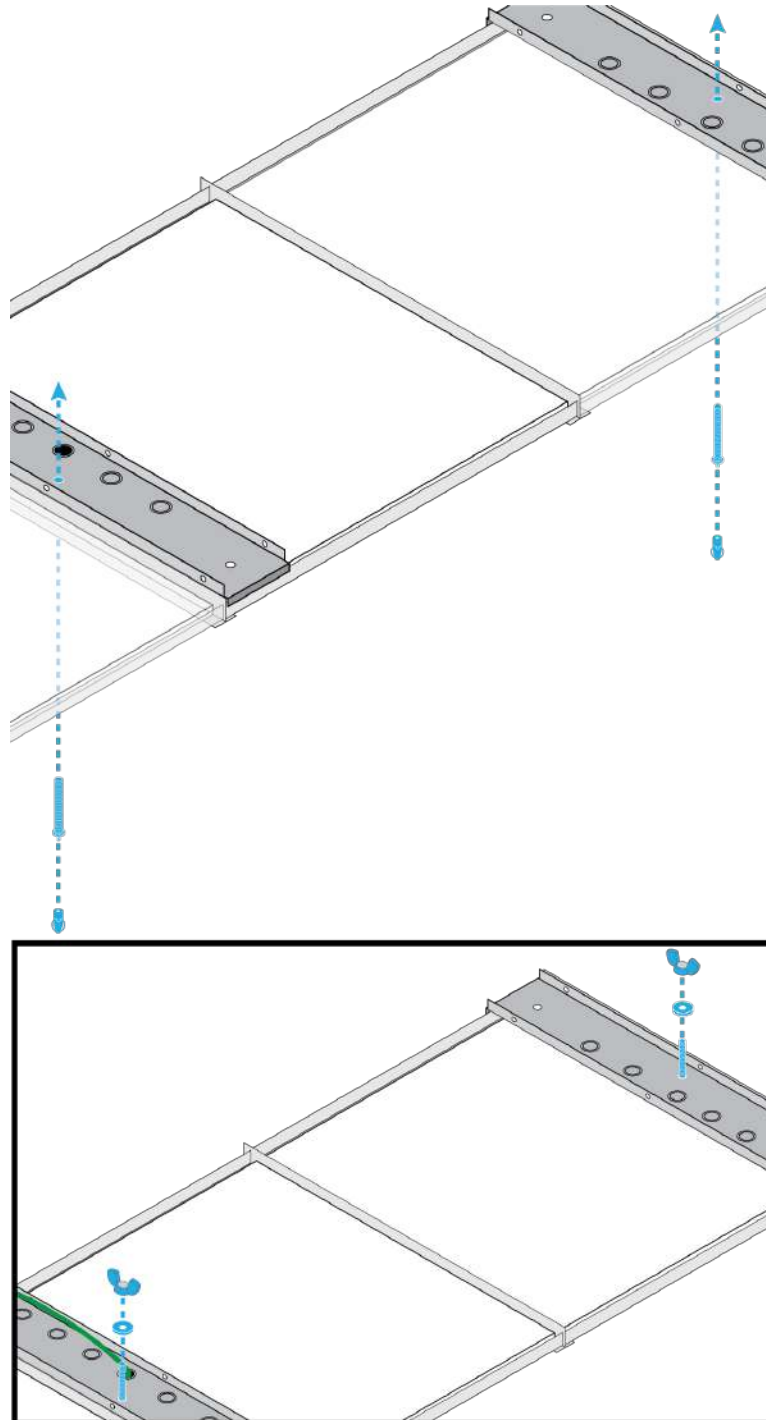
Suspending the MXA710-4FT from Ceiling Tiles

To get started, you will need:

- 2 tile bridges
- Gripple Angel connectors
- Mounting bolts
- Wing nuts
- M10 washers

- Ethernet cable
- Eyelets and steel cables
- M5 washers
- Finishing ring

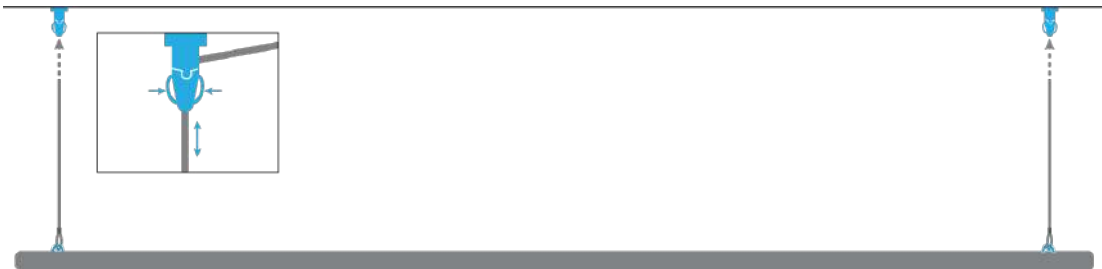
1. Tightly attach the Gripple Angel connectors to the narrow end of the mounting bolts. Push the bolts through the holes in the ceiling tiles. Attach the wing nuts and M10 washers to the bolts and route the Ethernet cable.



2. Attach the eyelets, cable, and M5 washers to the MXA710.



3. Thread the cable ends through the 2 Gripple connectors as shown. Squeeze the sides of the Gripple connector to adjust the cable's length. Trim excess cable, leaving at least 1 inch (25 mm).



4. Connect the Ethernet cable to the microphone.

Tip: Use the cable ties to secure the Ethernet cable to the suspension cable.

Contact Customer Support

Didn't find what you need? [Contact our customer support](#) to get help.

IMPORTANT SAFETY INSTRUCTIONS

1. READ these instructions.

2. KEEP these instructions.
3. HEED all warnings.
4. FOLLOW all instructions.
5. DO NOT use this apparatus near water.
6. CLEAN ONLY with dry cloth.
7. DO NOT block any ventilation openings. Allow sufficient distances for adequate ventilation and install in accordance with the manufacturer's instructions.
8. DO NOT install near any heat sources such as open flames, radiators, heat registers, stoves, or other apparatus (including amplifiers) that produce heat. Do not place any open flame sources on the product.
9. DO NOT defeat the safety purpose of the polarized or grounding type plug. A polarized plug has two blades with one wider than the other. A grounding type plug has two blades and a third grounding prong. The wider blade or the third prong are provided for your safety. If the provided plug does not fit into your outlet, consult an electrician for replacement of the obsolete outlet.
10. PROTECT the power cord from being walked on or pinched, particularly at plugs, convenience receptacles, and the point where they exit from the apparatus.
11. ONLY USE attachments/accessories specified by the manufacturer.
12. USE only with a cart, stand, tripod, bracket, or table specified by the manufacturer, or sold with the apparatus. When a cart is used, use caution when moving the cart/apparatus combination to avoid injury from tip-over.



13. UNPLUG this apparatus during lightning storms or when unused for long periods of time.
14. REFER all servicing to qualified service personnel. Servicing is required when the apparatus has been damaged in any way, such as power supply cord or plug is damaged, liquid has been spilled or objects have fallen into the apparatus, the apparatus has been exposed to rain or moisture, does not operate normally, or has been dropped.
15. DO NOT expose the apparatus to dripping and splashing. DO NOT put objects filled with liquids, such as vases, on the apparatus.
16. The MAINS plug or an appliance coupler shall remain readily operable.
17. The airborne noise of the Apparatus does not exceed 70dB (A).
18. Apparatus with CLASS I construction shall be connected to a MAINS socket outlet with a protective earthing connection.
19. To reduce the risk of fire or electric shock, do not expose this apparatus to rain or moisture.
20. Do not attempt to modify this product. Doing so could result in personal injury and/or product failure.
21. Operate this product within its specified operating temperature range.

	This symbol indicates that dangerous voltage constituting a risk of electric shock is present within this unit.
	This symbol indicates that there are important operating and maintenance instructions in the literature accompanying this unit.