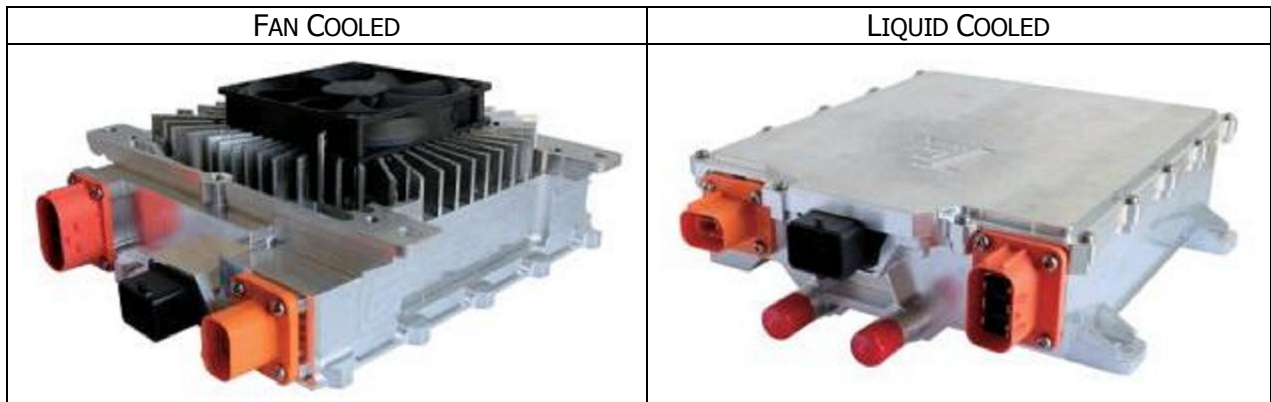




ELECTRIC CONVERSIONS

ELCON UHF 6.6KW CAN BUS CHARGERS



Technical Parameters

AC Input Voltage Range: AC90V~AC264V

AC Input Frequency: 45Hz~65Hz

Power Factor: ≥ 0.99

Full loading Efficiency: $\geq 93\%$

Shock & Vibration: QC/T 895—2011

Environmental Enclosure: IP67

Operating Temperature: $-40^{\circ}\text{C} \sim 65^{\circ}\text{C}$

Storage Temperature: $-55^{\circ}\text{C} \sim 100^{\circ}\text{C}$

Charging Control: CAN BUS or ENABLE

Dimension: 270(L)x230(W)x110(H)(Forced Air Cooling)

Cooling Method: Forced Air Cooling; Liquid Cooling;



Protection Features

1. Output Over-voltage Protection:

Stop the output when the output voltage exceeds + 1% of the maximum output voltage

2. Output Over-current Protection:

Stop the output when the output current exceeds +1% of the maximum output current

3. Short-circuit Protection:

When the charger encounters an unexpected short-circuit, it will automatically stop the output. When fault removes, resume automatically.

4. Battery Reverse Protection

When the battery polarity is reversed, the charger won't start up. No damage will happen.

5. Input under-voltage & over-voltage Protection

When the AC input voltage is lower than 85V or higher than 265V, the charger will shut down protectively, and resume working automatically when voltage is normal again.

6. Thermal Self-Protection

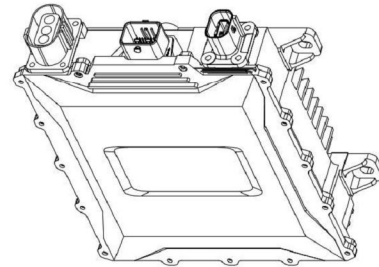
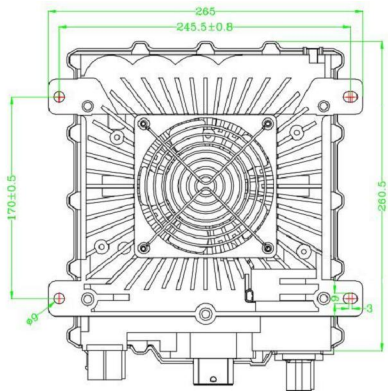
The charging current will reduce automatically when the chargers' internal temperature exceeds 85°C, shutdown when it exceeds 90°C and resume working automatically when the temperature is normal again.



MODELS AVAILABLE

Nominal Voltage	Nominal Current	Output Voltage Range	Cooling Method	Lithium Battery Charger Model(CAN Control)
108V	64A	36~144V	Liquid Cooling	HK-LW-108-64
144V	46A	50~198V	Liquid Cooling	HK-LW-144-46
216V	28A	70~290V	Liquid Cooling	HK-LW-216-28
312V	20A	110~440V	Liquid Cooling	HK-LW-312-20
540V	12A	170~650V	Liquid Cooling	HK-LW-540-12
108V	64A	26~144V	Fan Cooling	HK-LF-108-64
144V	46A	50~198V	Fan Cooling	HK-LF-144-46
216V	28A	70~290V	Fan Cooling	HK-LF-216-28
312V	20A	110~440V	Fan Cooling	HK-LF-312-20
540V	12A	170~650V	Fan Cooling	HK-LF-540-12

DIMENSIONAL DRAWING



ElCon
HK-LF 6.6KW CHARGER

