

Name: GRAVE
Model: BASIC TEE
Articlenr CW1: GZ-TS02B-050
Date:13-06-2017
Collection:
Fabric Body= Jersey 100% Cotton
CW: <b>Black / Sublimation</b>

## Needed artworks

### Sublimation

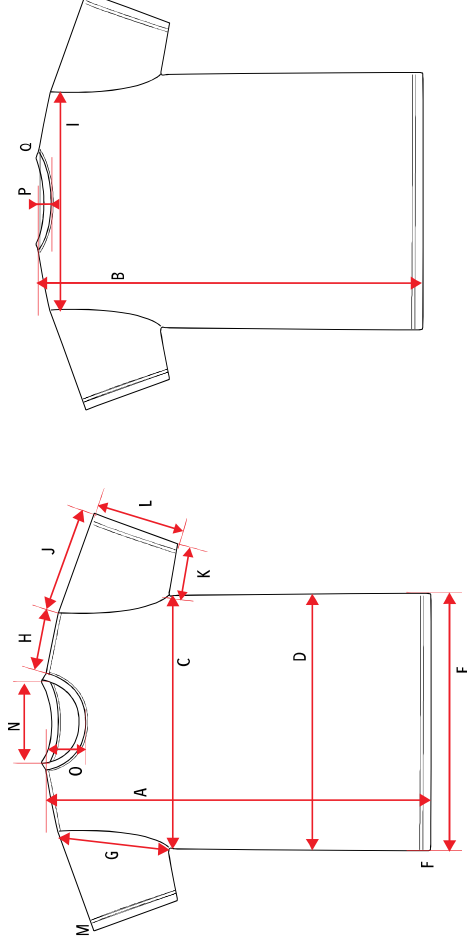
Artworkname: SUBL\_FRONT.jpg  
Technique: Sublimation

### Bottom label

Artworkname: GZ\_Label.ai  
Technique: Woven

### Brandlabel

Artworkname: GZ\_Brandlabel.ai  
Technique: Woven



MEASURING POINT: (CM)	XS	S	M	L	XL	XXL	XXXL
A Total length Front (from Shoulderpoint)	68	70	72	74	76	78	80
B Total length Back (from Shoulderpoint)	68	70	72	74	76	78	80
C ½ Chest	47	49,5	52	54,5	57	59,5	62
D ½ Waist	47	49,5	52	54,5	57	59,5	62
E ½ Bottom hem	47	49,5	52	54,5	57	59,5	62
F Bottom height	2,5	2,5	2,5	2,5	2,5	2,5	2,5
G ½ Armhole (straight)	22	23	24	25	26	27	28
H Shoulder (seam to seam)	11,5	12,5	13,5	14,5	15,5	16,5	17,5
I Shoulder width total	40	42	44	46	48	50	52
J Sleeve length (edge to edge)	19	20	21	22	23	24	25
K Insight sleeve length	9	10	11	12	13	14	15
L ½ Sleeve opening	16	16,5	17	17,5	18	18,5	19
M Cuff height	2,5	2,5	2,5	2,5	2,5	2,5	2,5
N Neckwidth (edge to edge)	16,5	17	17,5	18	18,5	19	19,5
O Front neck drop (from Shoulderpoint)	8	8,5	9	9,5	10	10,5	11
P Back neck drop (from Shoulderpoint)	2	2	2	2	2	2	2
Q Neck rib height	2	2	2	2	2	2	2