

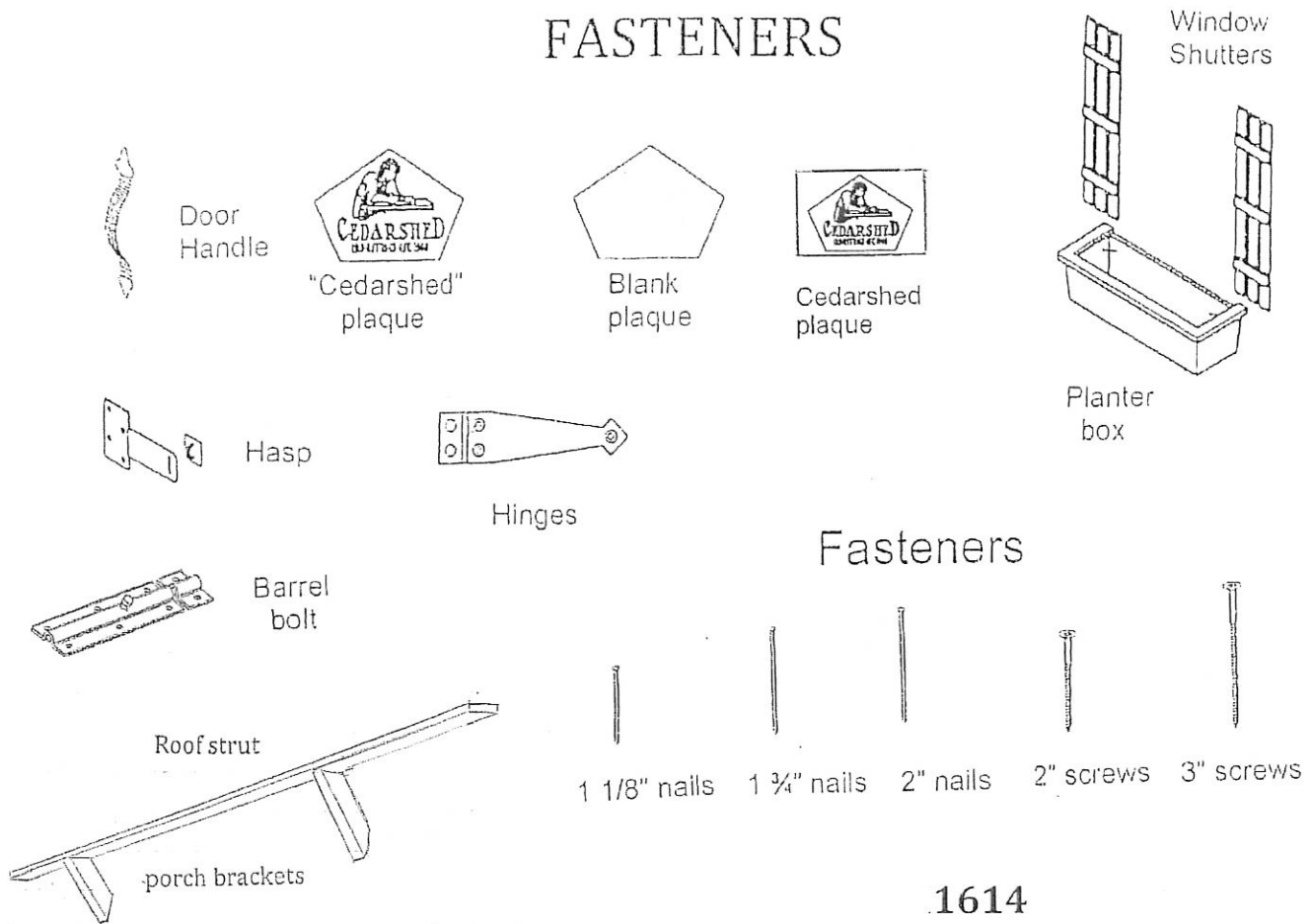
RANCHHOUSE 16 x 14

16 Ft x 14 Ft

MODEL RH1614



ACCESSORIES, HARDWARE, AND FASTENERS



1614

PART #	DESCRIPTION	DIMENSIONS (where app.)	# OF PCS
ACCESSORIES			
P-H-PLAQSL	square CS plaque	square CS plaque	1
P-H-PLAQNL	peak plaque	peak plaque	2
P-FW-001	window box	window box	2
P-SH-001	shutters	shutters	4
P-H-RFLT12	roofing felt	1 ft x 5 ft	5 sq ft
P-H-MFLASS	roof flashing	3" x 12"	51
P-1C672	roof strut	1F x 6 x 72	1
P-238Y	porch brackets	2 x 3 x 8	2
FASTENERS			
P-H-NL1.125	nails	1 1/8" nails	40
P-H-NL1.75	nails	1 3/4" nails	500
P-H-NL2	nails	2" nails	75
P-H-SC2	2" screws	2" Screws	650
P-H-SC3	3" screw	3 " Screws	700
DOOR AND HARDWARE			
C-DR-001	double doors (incl. Hinges)	double doors	2
P-1371C	door stop	1 x 3 x 71 1/4	1
P-1262G	door stop	1 x 2 x 62 1/2	1
P1271I	door stop	1 x 2 x 71 5/8	2
P-H-BBLT4	barrel bolt	4 " barrel bolt	2
P-H-DHAND	door handle	door handle	2
P-H-HASP	hasp	hasp	1
Instruction manual, questionnaire and driver bit			

Ridge Porch Models

To build this model of shed, please use this Model Specific Instruction Manual along with the “ASSEMBLY INSTRUCTIONS FOR THE RIDGE PORCH OPTION, and the “STANDARD SHED INSTRUCTION MANUAL”.

These three documents will give you all the information necessary to complete this project.

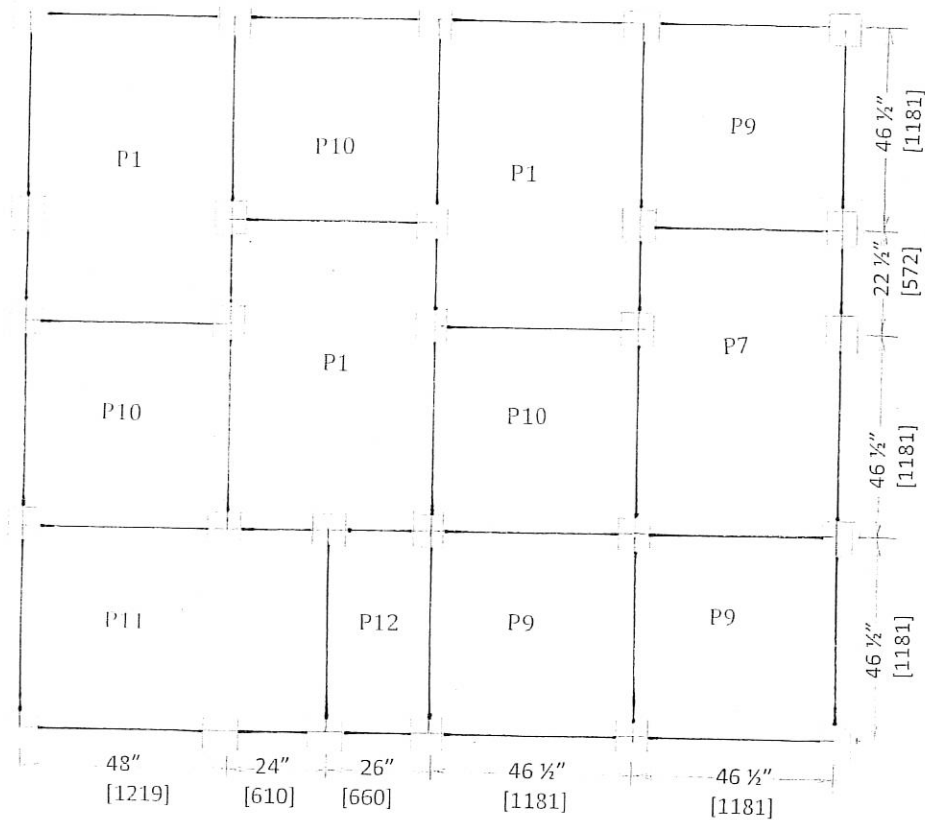
This manual outlines the specific parts needed to complete each stage, while the other manuals will give specific details on how to perform each stage. If you should have any questions please contact us at 1-800-830-8033 or sales@cedarshed.com.

DO NOT CUT any parts until you check with a CedarShed support team member.

For this model the stages of construction are as follows:

1. JOIST BOX ASSEMBLY
2. JOIST STRUCTURE ASSEMBLY
3. LEVELING OF JOIST STRUCTURE
4. INSTALLATION OF PLYWOOD FLOORING AND DECK BOARDS
5. STAGE 1 - WALL INSTALLATION
6. STAGE 1 - TRIM INSTALLATION
7. STAGE 2 - WALL INSTALLATION
8. TOP PLATE INSTALLATION
9. STAGE 1 - ROOF INSTALLATION
10. STAGE 2 - ROOF INSTALLATION
11. STAGE 2 - TRIM INSTALLATION
12. STAGE 3 - TRIM INSTALLATION
13. FINISHING TOUCHES

BEARING POINTS FOR 1614 AND BUILDING THE FLOOR JOIST BOXES



RIDGE PORCH SIDE

Each bearing point represents a spot where the joist boxes intersect each other. Using a cement block at each of these points, level the joist structure once the joist boxes have been affixed together. Use the diagram above to plot the bearing points on your building site. Please note that these are the minimum number of bearing points and you may wish to use additional cement blocks as need would justify.

PART #	DESCRIPTION	DIMENSIONS (where app.)	# OF PCS
FLOOR PARTS			
P-2423	joist	2 x 4 x 23	4
P-2424	joist	2 x 4 x 24	2
P-2443G	floor joist	2 x 4 x 43 1/2	18
P-2445	floor joist	2 x 4 x 45	30
P-2446G	rim joist	2 x 4 x 46 1/2	14
P-2469	rim joist	2 x 4 x 69	12
P-G4B34G	joist trim	1/2 x 4 1/8 x 34 1/2	2
P-G4B46G	joist trim	1/2 x 4 1/8 x 46 1/2	1

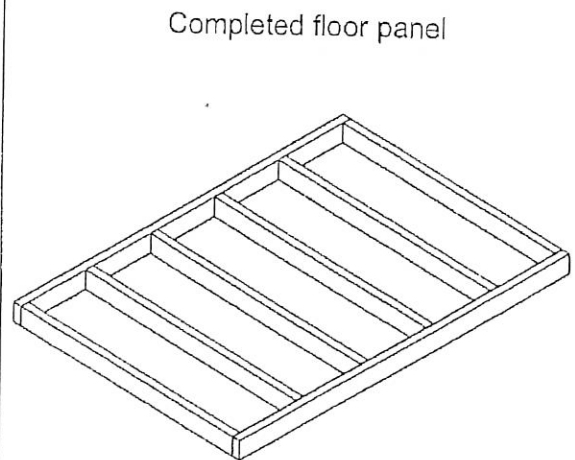
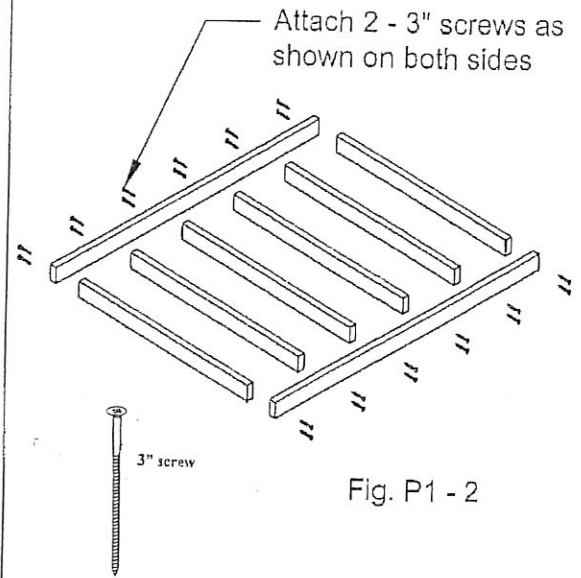
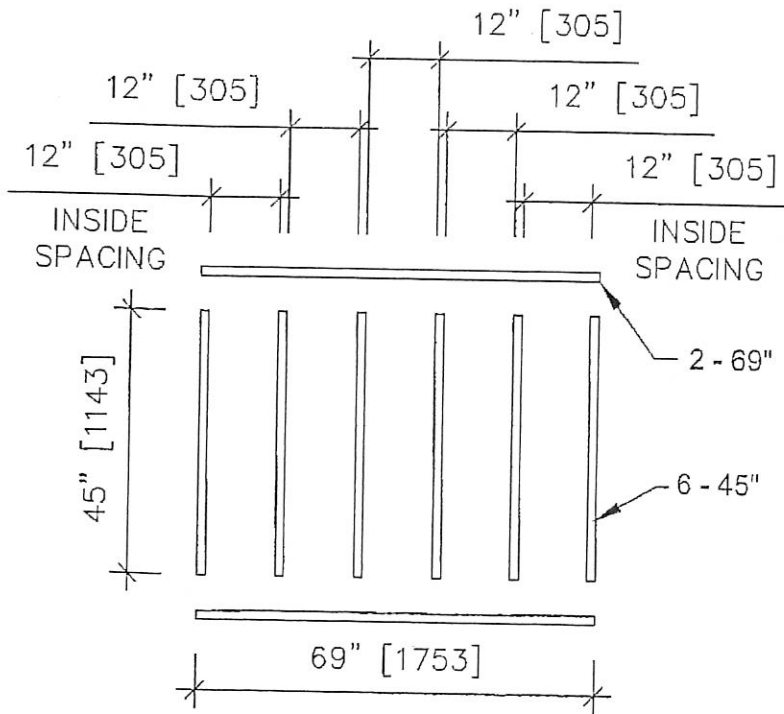
BUILDING JOIST BOXES

By using the joists parts outlined above and the instructions in the next few pages, assemble the joist boxes accordingly. There are various sizes of joist boxes that make up the joist structure. The number of each joist box is outlined in the table below.

JOIST BOXES REQUIRED FOR THIS MODEL		
JOIST BOX #	Joist Box Size	# of Boxes Req'd
P1	69" x 48"	3
P7	69" x 46 1/2"	1
P9	46 1/2" x 46 1/2"	3
P10	46 1/2" x 48"	3
P11	46 1/2" x 72	1
P12	46 1/2" x 24	1

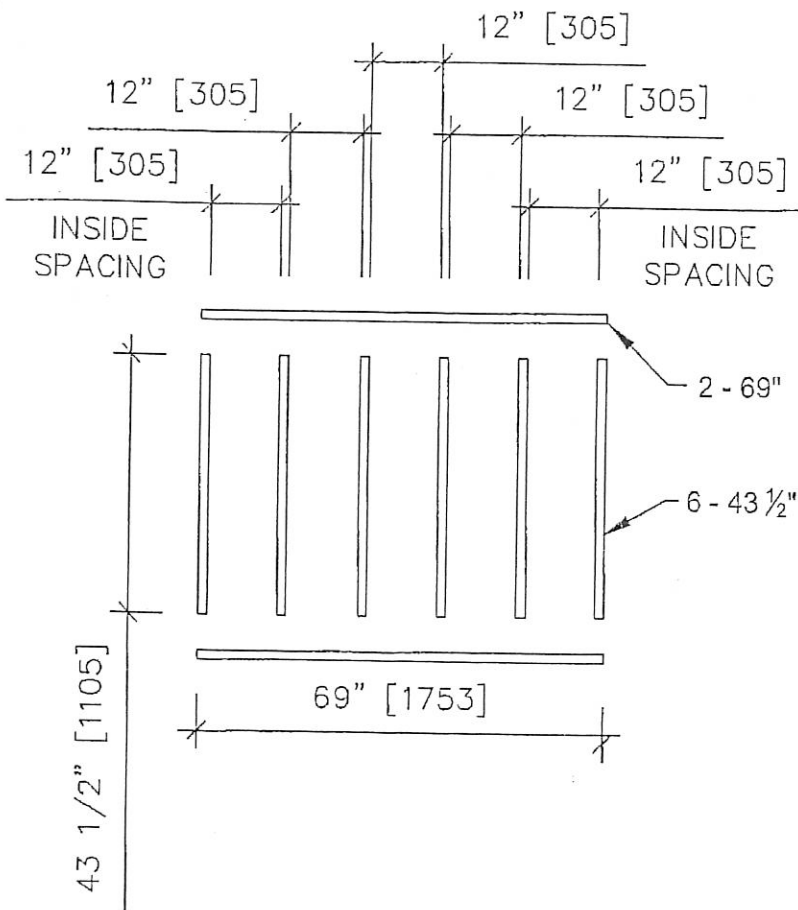
JOIST BOX ASSEMBLY

Lay the joist parts out as per Fig P1 - 1. Using 2 - 3" screws per joint, assemble the joist box together as per Fig P1 - 2. The completed joist box is pictured in Fig P1 - 3.



JOIST BOX ASSEMBLY

Lay the joist parts out as per Fig P7 - 1. Using 2 - 3" screws per joint, assemble the joist box together as per Fig P7 - 2. The completed joist box is pictured in Fig P7 - 3.



69" x 46 1/2" floor panel layout.

Fig. P7 - 1

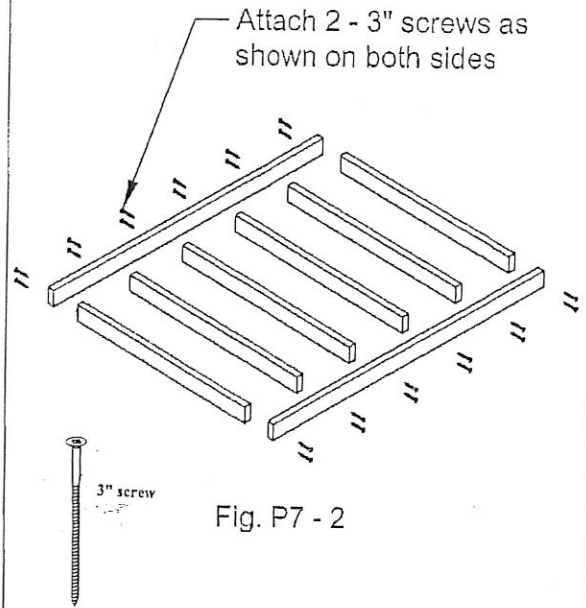


Fig. P7 - 2

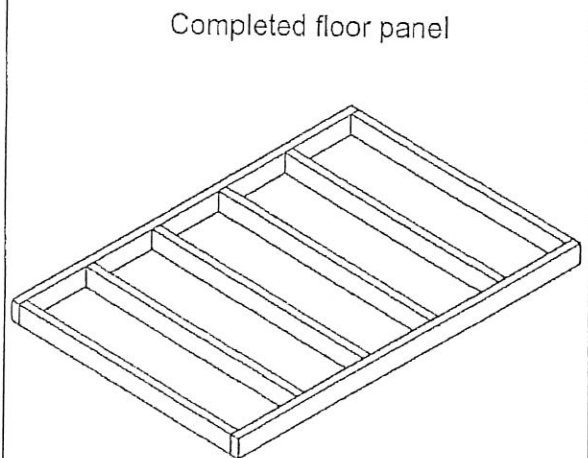
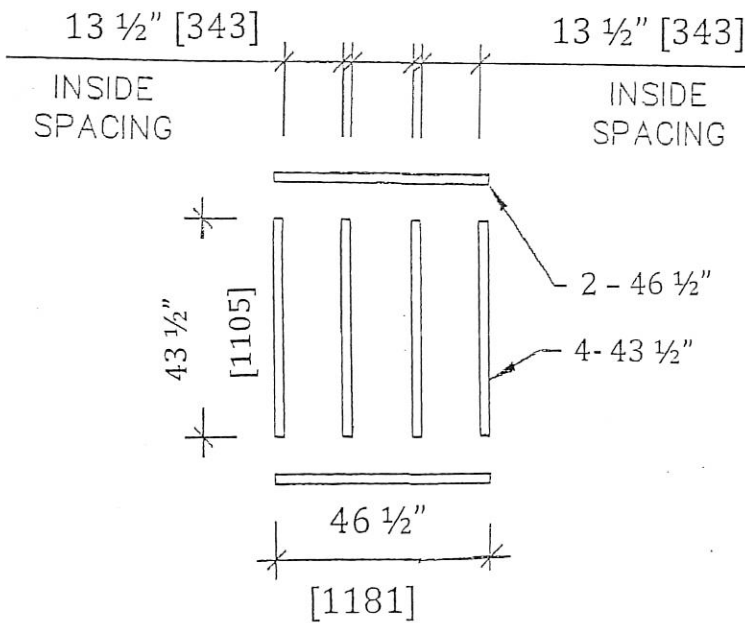


Fig. P7 - 3

JOIST BOX ASSEMBLY

Lay the joist parts out as per Fig. P9-1. Using 2- 3" screws per joint, assemble the joist box together as per Fig P9-2. The completed joist box is pictured in Fig P9-3.



46 1/2" x 46 1/2" joist box layout

Fig P9-1

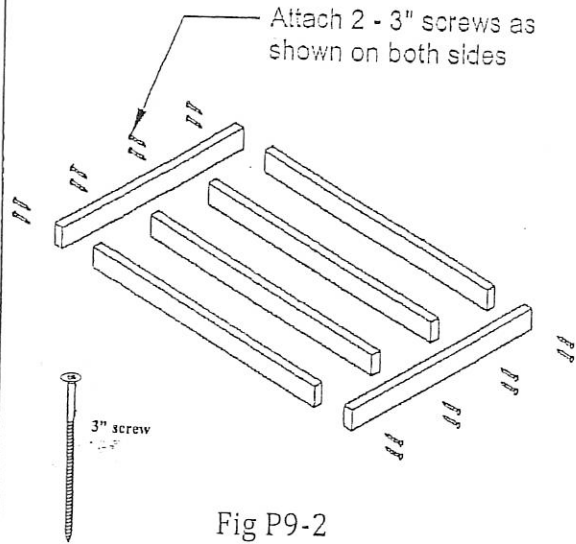


Fig P9-2

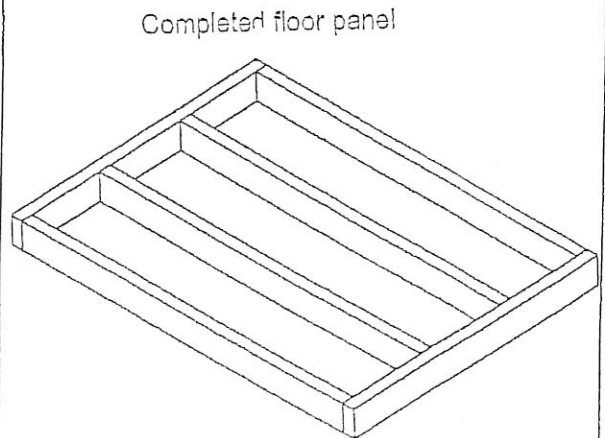
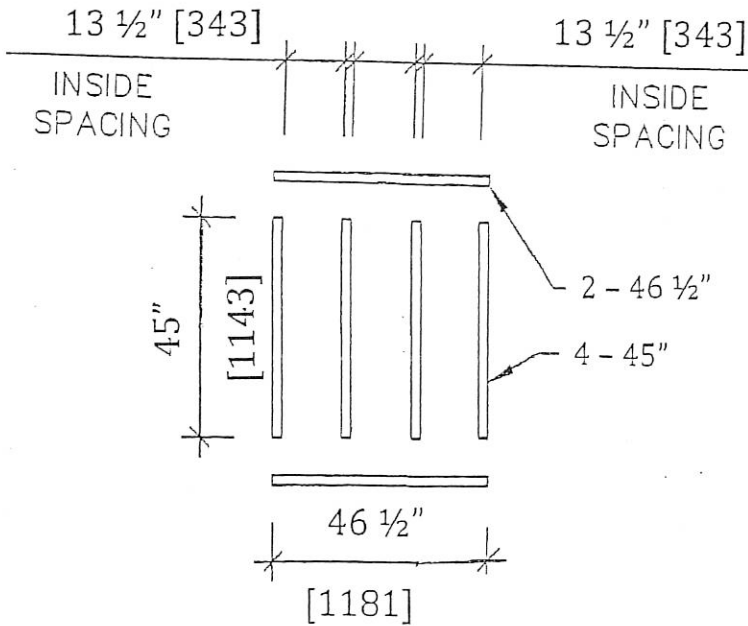


Fig P9-3

JOIST BOX ASSEMBLY

Lay the joist parts out as per Fig. P10-1. Using 2- 3" screws per joint, assemble the joist box together as per Fig P10-2. The completed joist box is pictured in Fig. P10-3.



46 1/2" x 48" joist box layout

Fig P10-1

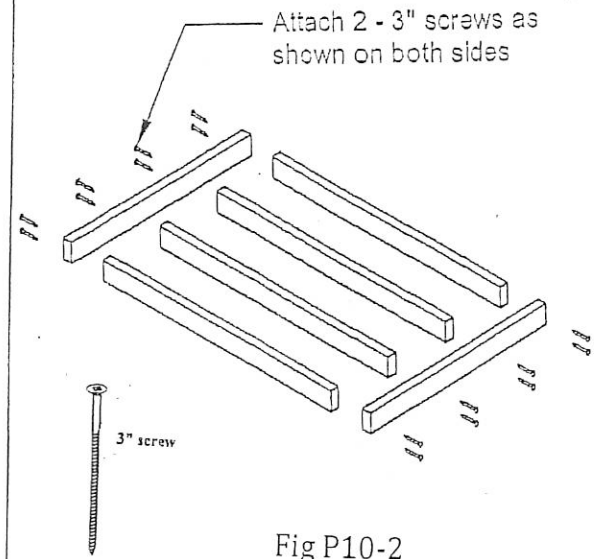


Fig P10-2

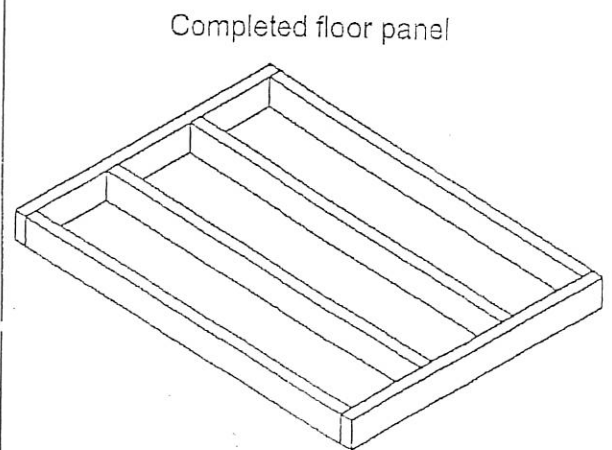
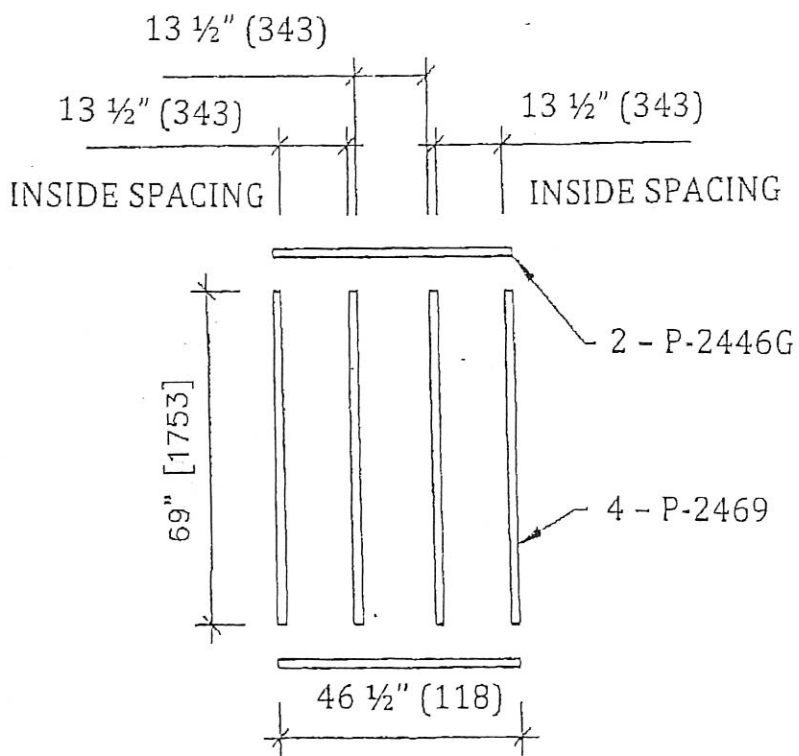


Fig P10-3

46 1/2" X 72" Joist Box - P11

JOIST BOX ASSEMBLY

Lay the joist parts out as per Fig P11-1. Using 2-3" screws per joist assemble the joist box together as per Fig. P-11-2. The completed joist box is pictured in Fig. P11-3



46 1/2" x 72" floor panel layout.

Fig P11-1

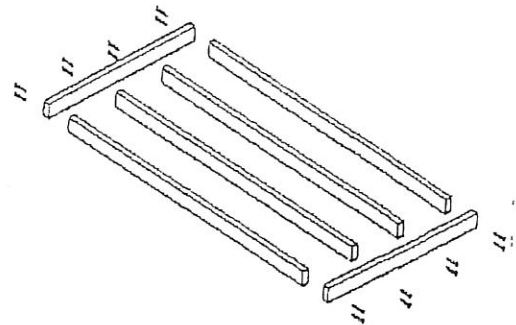
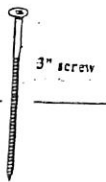


Fig P11-2



3" screw

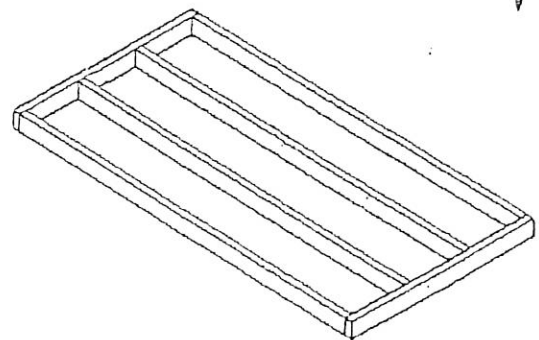
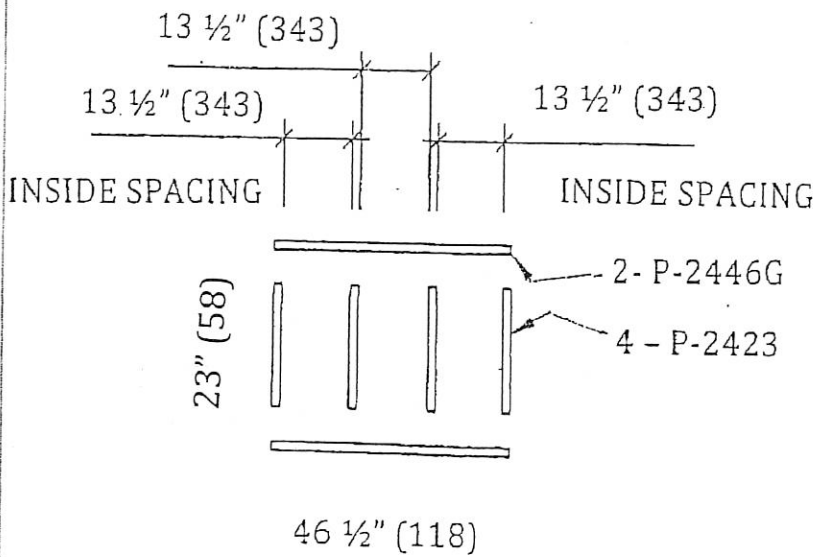


Fig. P11-3

46 1/2" X 26" Joist Box - P12

JOIST BOX ASSEMBLY

Lay the joist parts out as per Fig. P12-1. Using 2-3" screws per joist assemble the joist box together as per Fig 12-2. The completed joist box is pictured in Fig. P12-3.



46 1/2" x 26" floor panel layout

Fig P12-1

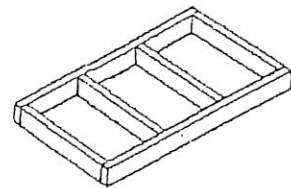
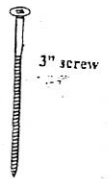
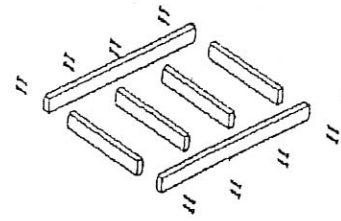
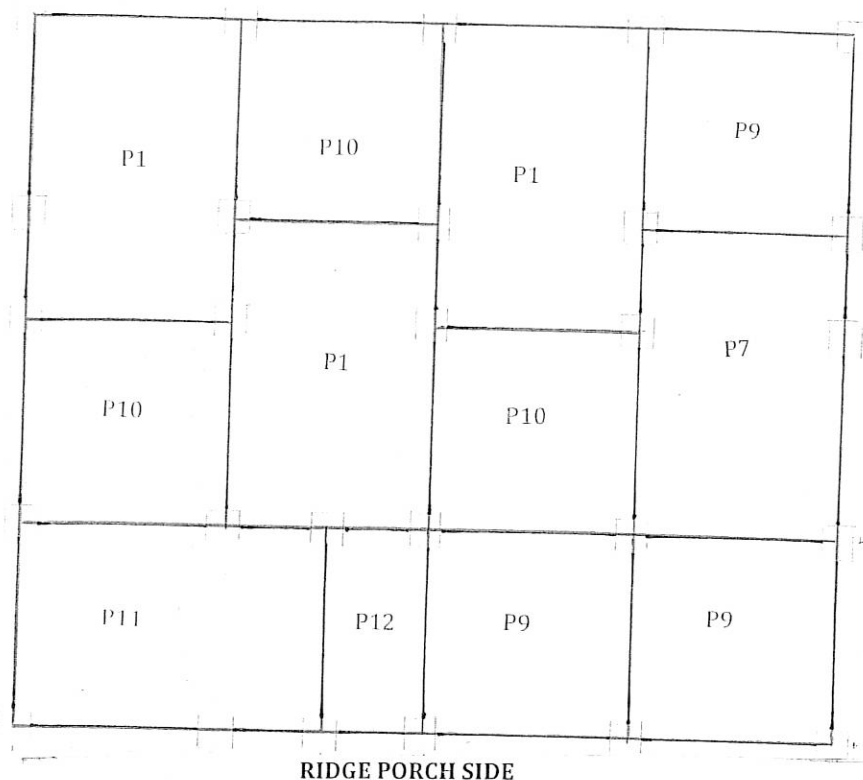


Fig. P12-3



COMPLETING THE FLOOR JOIST STRUCTURE

Take the joist boxes and affix them as per the diagram above. Make sure you keep the orientation of the ridge and gable porch in mind when doing this. Use 3" screws every 12" to affix all the joist boxes together. Once complete, lay the joist structure on top of the building site and level the joist structure on top of the cement blocks. Please use the cedar packaging blocks to assist in the levelling process. Make sure when level the joist structure clears the ground. This will allow the proper air circulation to prevent dry rot occurring on the joist structure.

There may be a need to affix joist trims on your specific model. If it is needed the diagram below will show details of how this is to be done.

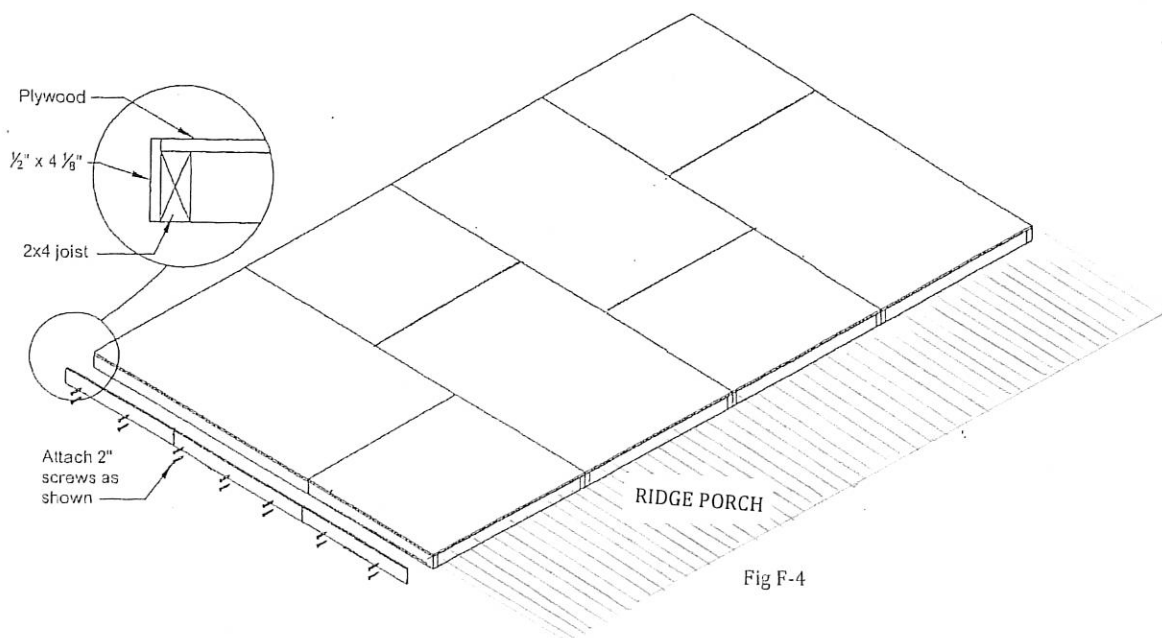
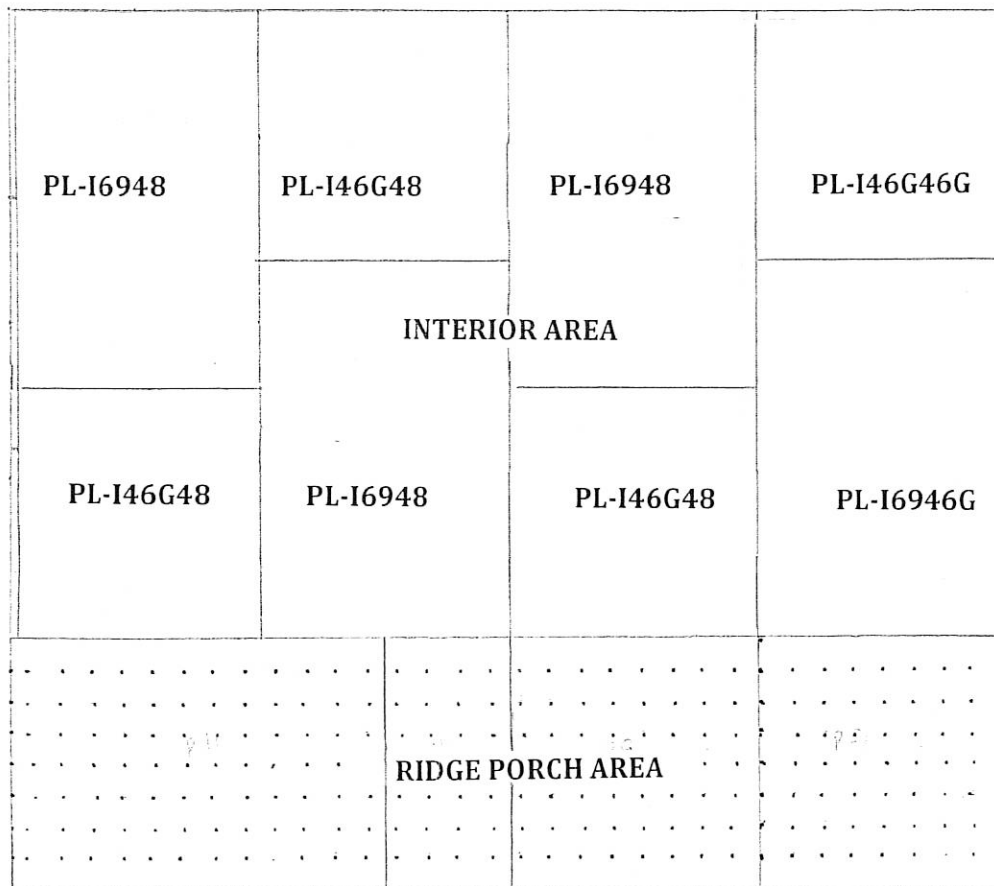


Fig F-4

INSTALLATION OF PLYWOOD PANELS AND RIDGE PORCH DECKING

The next few pages will outline the steps to install the plywood flooring and the deck boards to the ridge porch areas.



PART #	DESCRIPTION	DIMENSIONS (where app.)	# OF PCS
FLOOR PLYWOOD AND DECK BOARD PARTS			
P-PL-I6948	plywood	5/8 x 69 x 48	3
P-PL-I46G48	plywood	5/8 x 46 1/2 x 48	3
P-PL-I6946G	plywood	5/8 x 69 x 46 1/2	1
P-PL-I46G46G	plywood	5/8 x 46 1/2 x 46 1/2	1
P-1446G	floor board	1 x 4 x 46 1/2	54

INSTALLATION OF PLYWOOD FLOORING & ADDITIONAL JOIST FOR GABLE PORCH SECTIONS

Now lay the plywood sheets over top of the joist frame. Each sheet of plywood (based on size) will lay over top of the various floor boxes that have been built and attached together. Then by using the 2" screws provided, affix each sheet using a screw every 12" on centre on each of the joist members (rows). As an example, to affix a 69" by 48" sheet to the joist frame would require 30 screws (6 joist members by 5 screws per row. See Fig 3 for details

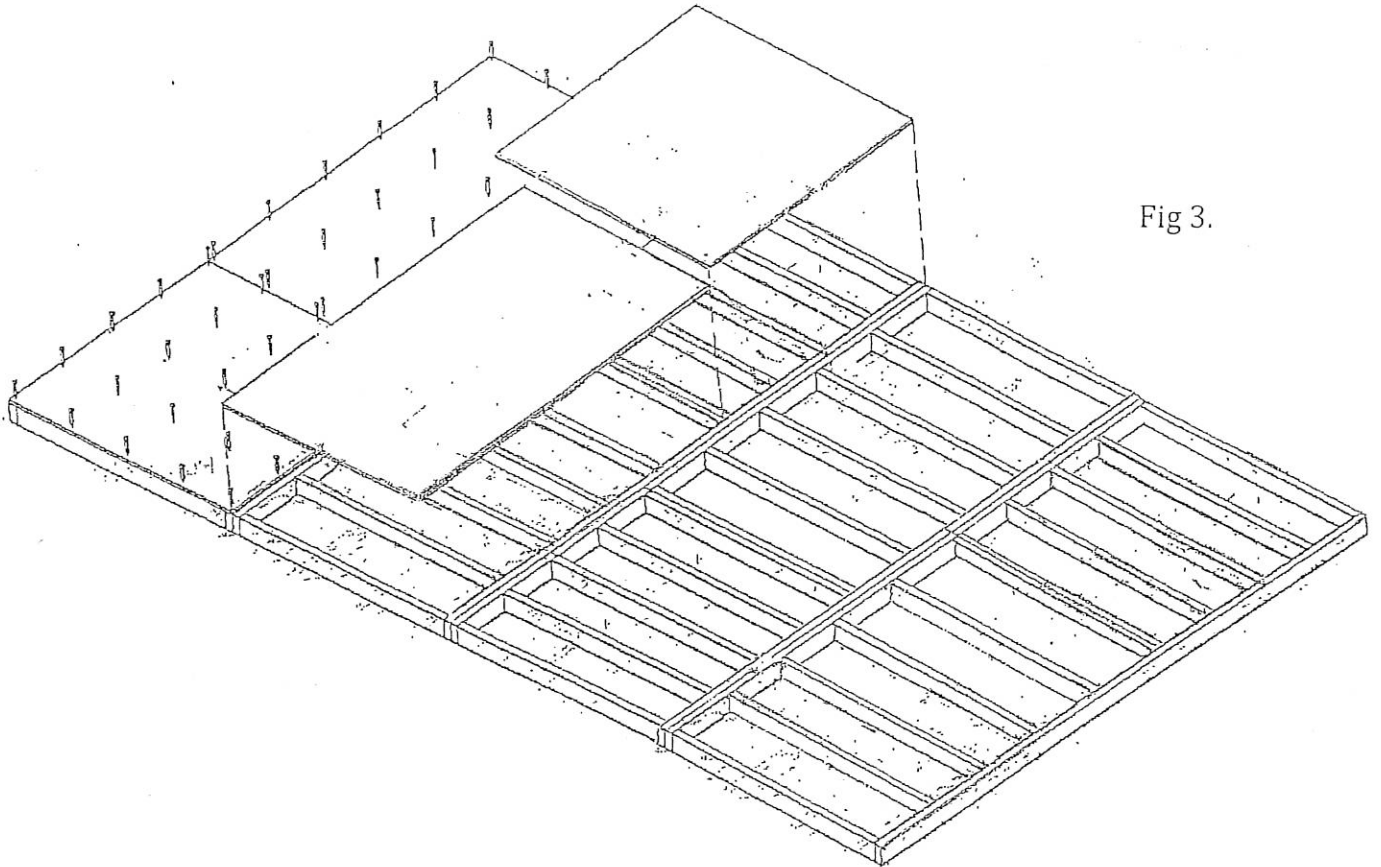
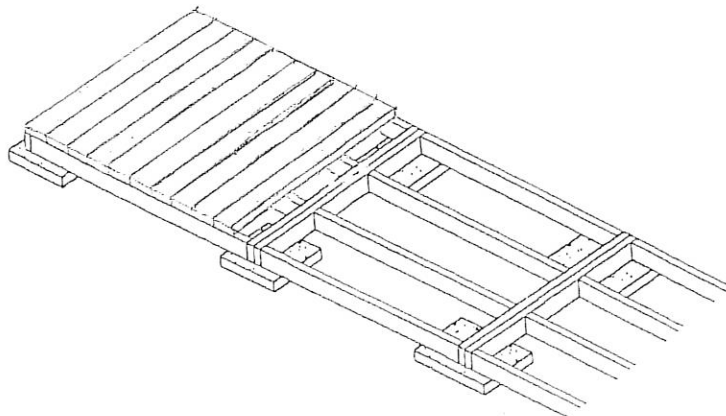
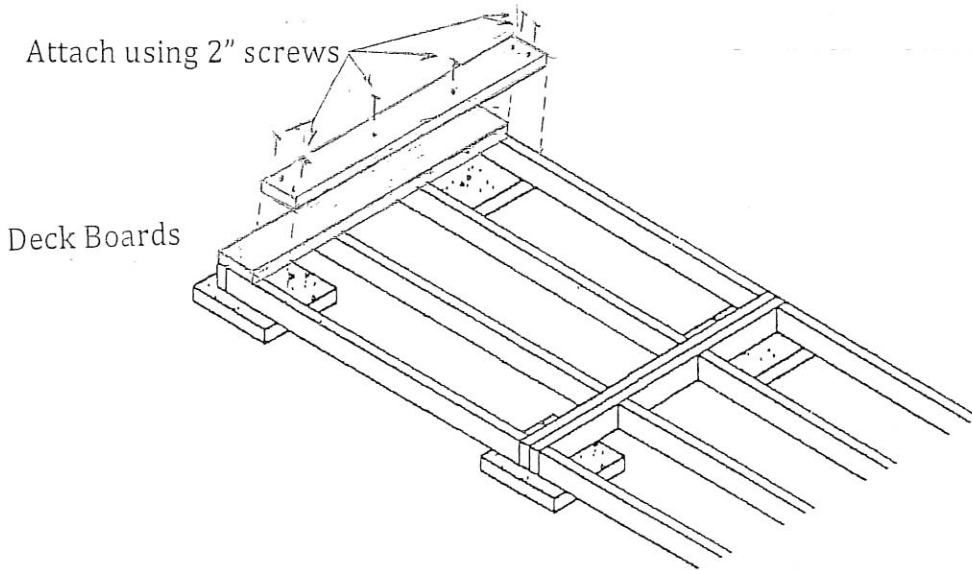
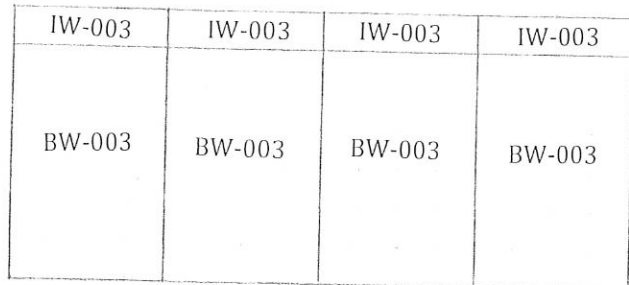
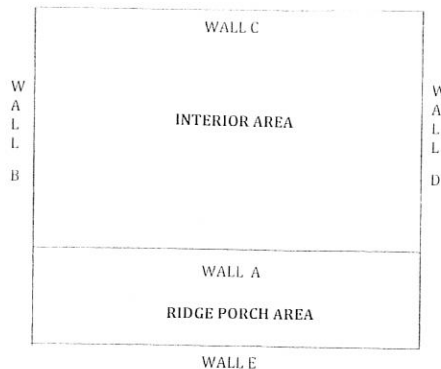


Fig 3.

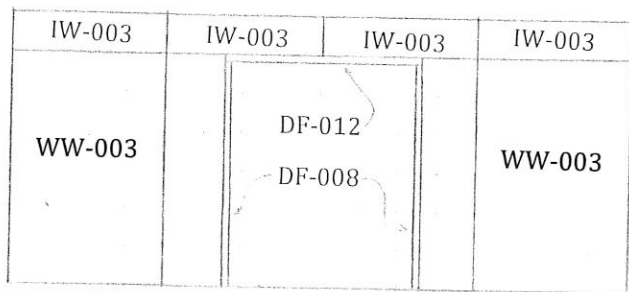
Lay the 46 ½" long deck boards over top of the level floor joist structure. Use 2- 2" screws to attach the ends of each board and 1-2" screw to affix to the interior joist. The number of deck boards will vary based on the width of each board.

Size of deck	No of boards in 2 ½" width	No. of boards in 3 ½" width
9x4	44	31
12x4 (6)	57	41
12x4 (8)	57	41
16x4	76	54
20x4	95	67

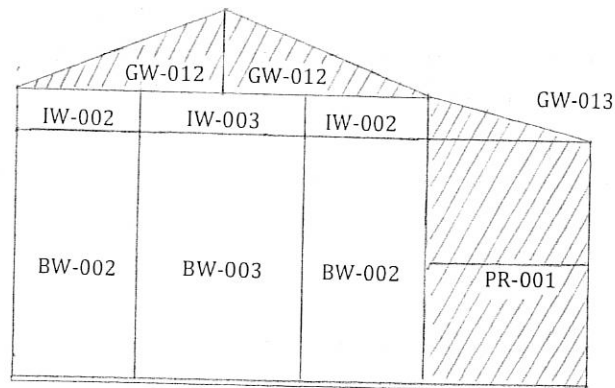




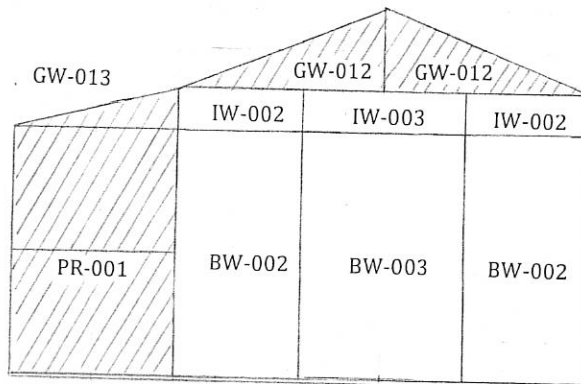
WALL C



WALL A



WALL B

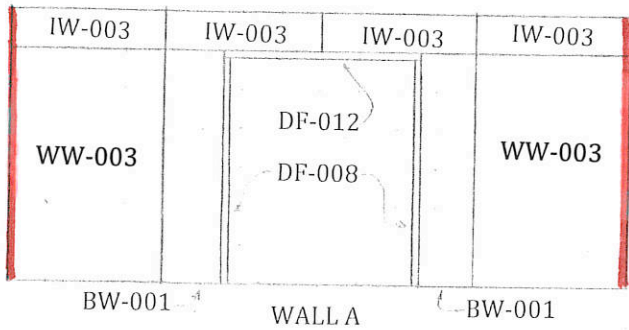
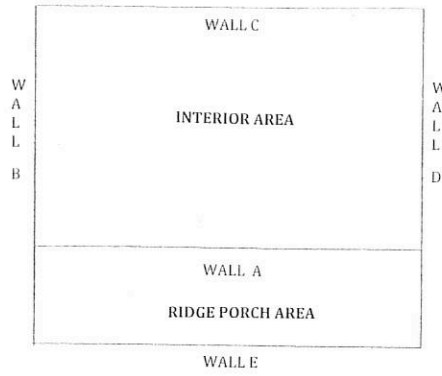


WALL D

NOTE : SHADED AREAS WILL BE IN FOLLOWING STEPS

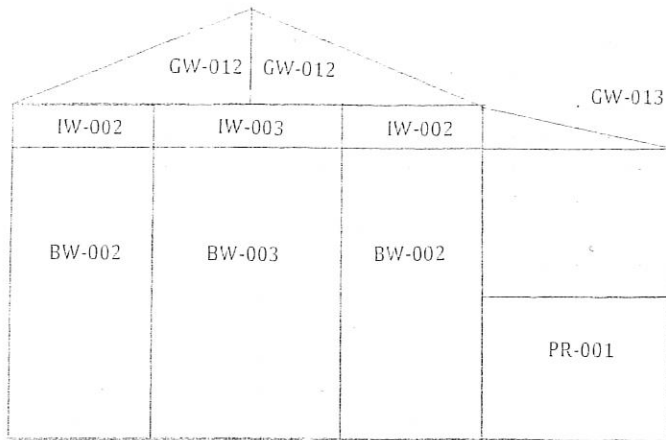
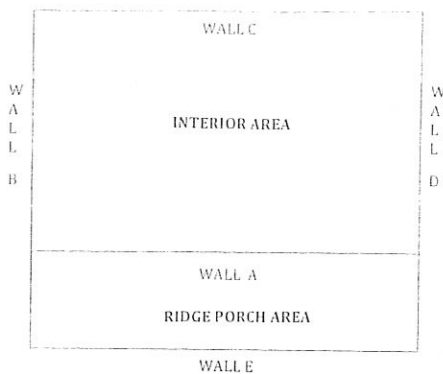
WALL INSTALLATION - STAGE 1

PART #	DESCRIPTION	DIMENSIONS (where app.)	# OF PCS	CODE
WALL PARTS				
P-2313K	header	2 x 3 x 13 3/4	2	not shown
P-2334G	header	2 x 3 x 34 1/2	4	not shown
P-2346G	header	2 x 3 x 46 1/2	6	not shown
C-BW-001	wall panel	13 3/4" wall panel	2	BW-001
C-BW-002	wall panel	34 1/2" wall panel	4	BW-002
C-BW-003	wall panel	46 1/2" wall panel	6	BW-003
C-IW-002	in-fill wall	34 1/2" in-fill wall	4	IW-002
C-IW-003	in-fill wall	46 1/2" in-fill wall	10	IW-003
C-DF-008	door frame (vertical)	door frame	2	DF-008
C-DF-012	door frame (horizontal)	door frame	1	DF-012
C-WW-003	window wall	46 1/2" window wall	2	WW-003

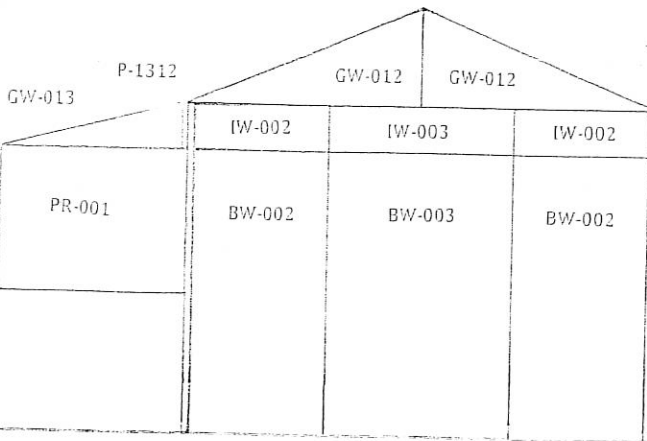


TRIM INSTALLATION - STAGE 1

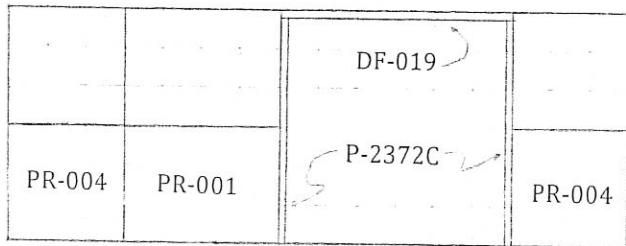
PART #	DESCRIPTION	DIMENSIONS (where app.)	# OF PCS	CODE
P-13C87	corner trim	1 x 3 1/4 x 87	2	



WALL B



WALL D



WALL E

STAGE 2 - WALL INSTALLATION

PART #	DESCRIPTION	DIMENSIONS (where app.)	# OF PCS	CODE
C-PR-001	porch section	45 3/4 x 74 3/4	3	PR-001
C-PR-004	porch section	33 3/4 x 74 3/4	2	PR-004
P-2372C	door post	2 x 3 x 72 1/4	2	P-2372C
C-DF-019	horizontal door frame	2 1/2 x 72 3/4	1	DF-019



SIDE VIEW

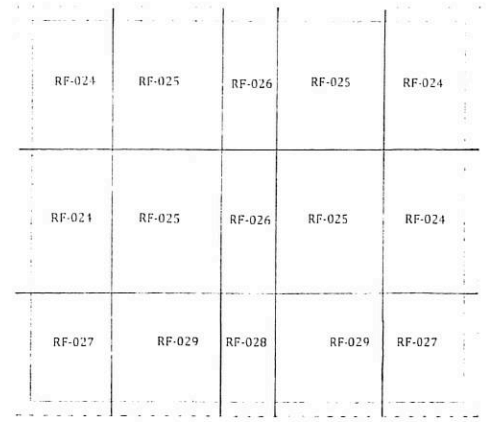
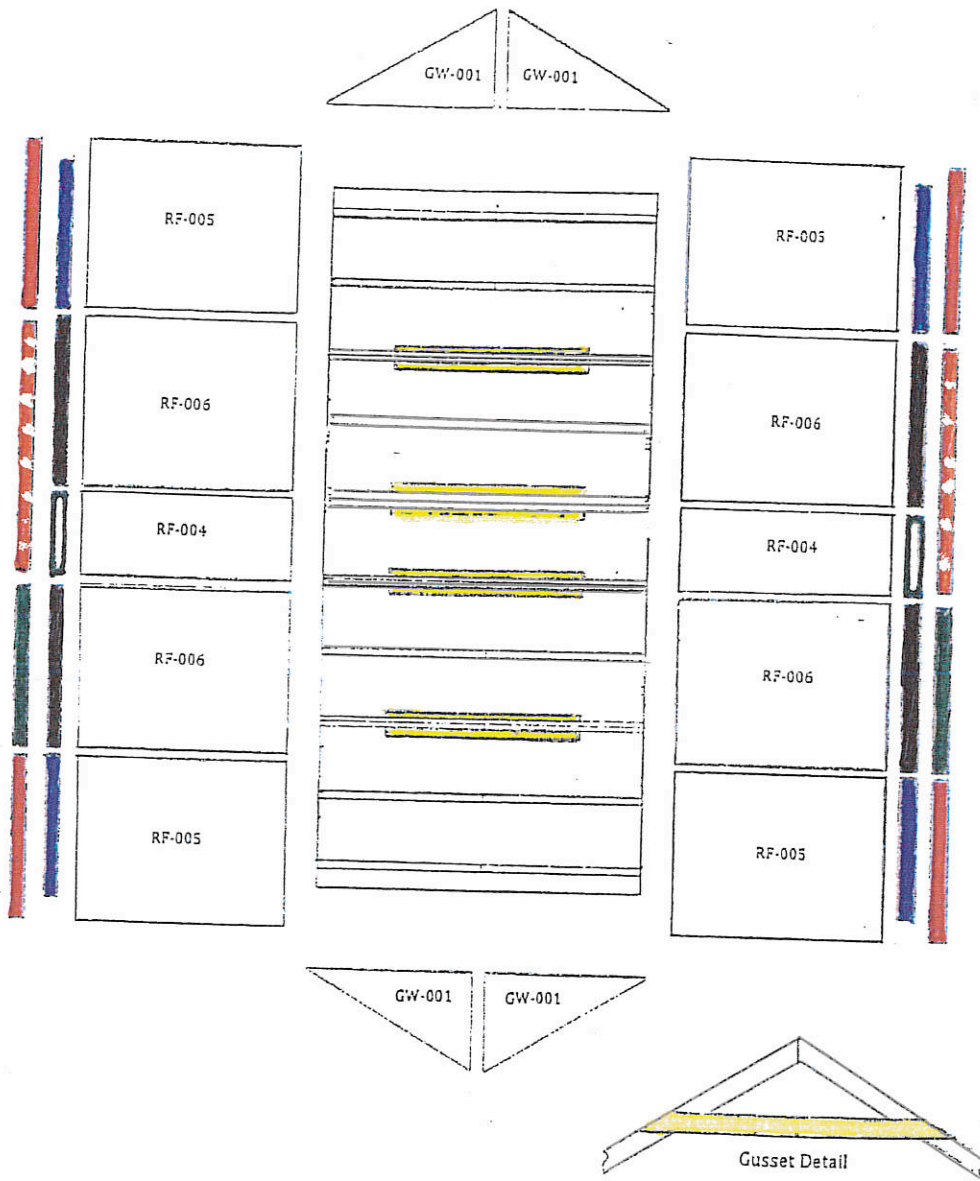
Gable wall (GW-013)
to be installed later

TOP VIEW

TOP PLATE INSTALLATION

PART #	DESCRIPTION	DIMENSIONS (where app.)	# OF PCS	CODE
TOP PLATES				
P-2343C	top plates	2 x 3 x 43 1/4	2	
P-2346G	top plates	2 x 3 x 46 1/2	3	
P-2355C	top plates	2 x 3 x 55 1/4	4	
P-2372C	top plates	2 x 3 x 72 1/4	6	

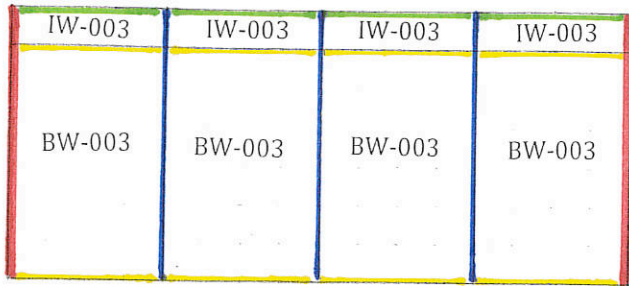
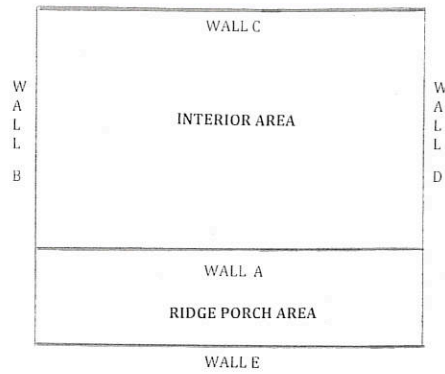
RH1614



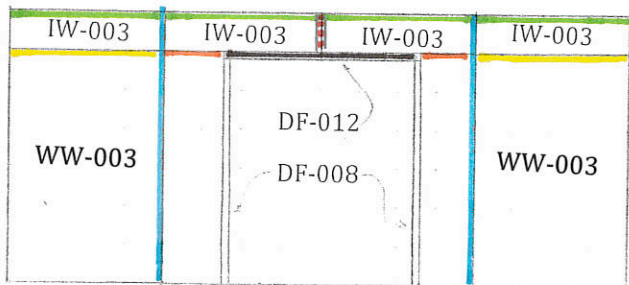
Roof Panels Top View

ROOF INSTALLATION - STAGE 1

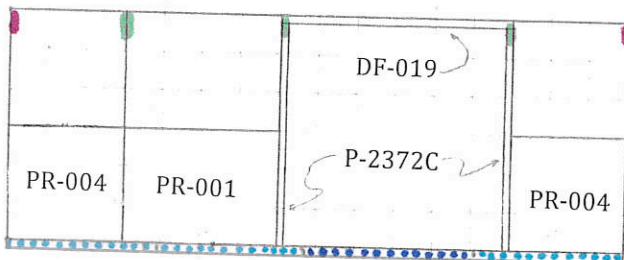
PART #	DESCRIPTION	DIMENSIONS (where app.)	# OF PCS	CODE
ROOF PARTS (WOOD SHINGLES)				
P-2371KYb	gusset	2 x 3 x 71 3/4	8	
C-GW-012	gable wall	25 3/4 x 67 1/8	4	GW-012
C-RF-024	roof panel	42 3/4 x 67 1/8	4	RF-024
C-RF-025	roof panel	46 1/2 x 67 1/8	4	RF-025
C-RF-026	roof panel	24 x 67 1/8	2	RF-026
P-B-G424	soffits	1/2 x 4 x 24	2	
P-B-G437	soffits	1/2 x 4 x 37	4	
P-B-G446G	soffits	1/2 x 4 x 46 1/2	4	
P-1442	fascia	1 x 4 x 42	4	
P-1446G	fascia	1 x 4 x 46 1/2	2	
P-1470G	fascia	1 x 4 x 70 1/2	2	
P-H-RCAP24	ridge caps	24"	24	not shown



WALL C



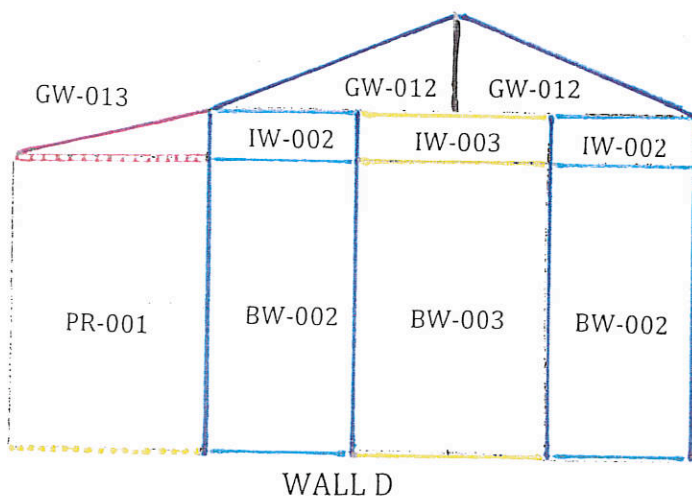
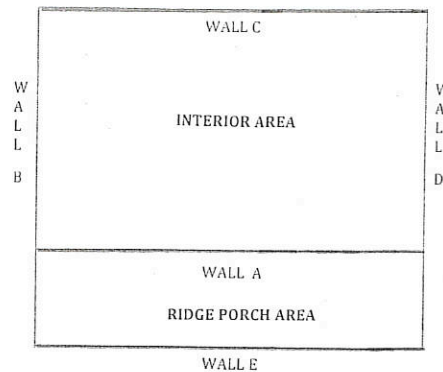
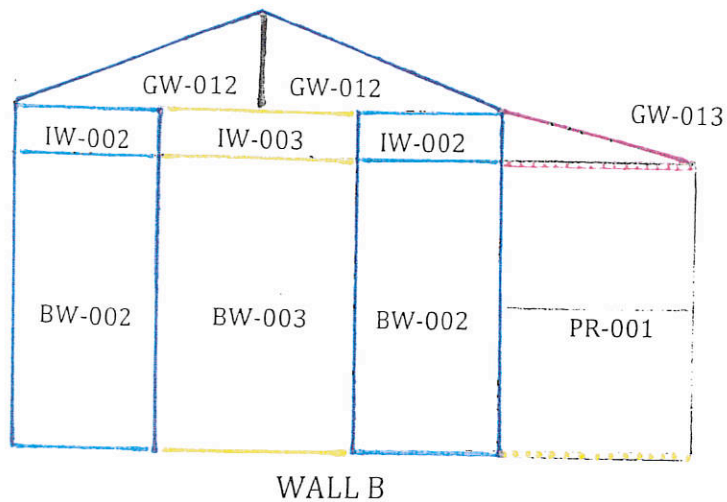
BW-001 WALL A BW-001



WALL E

TRIM INSTALLATION - STAGE 2

PART #	DESCRIPTION	DIMENSIONS (where app.)	# OF PCS	CODE
P-1210K	trim	1 x 2 x 10 3/4	1	
P-1287	trim	1 x 2 x 87	2	
P-13C91	corner trim	1 x 3 1/4 x 91	2	
P-1291	trim	1 x 2 x 91	3	
P-B-G612C	skirting	1/2 x 6 x 12 1/4	2	
P-B-G445	skirting	1/2 x 4 x 45	8	
P-B-G645	skirting	1/2 x 6 x 45	11	
P-1467	top door trim	1 x 4 x 67	1	
P-1412XF	trim	1 x 4F x 12	2	
P-1312XF	trim	1 x 3F x 12	3	
P-14B46G	bottom skirting	1 x 4 1/8 x 46 1/2	3	
P-14B53	bottom skirting	1 x 4 1/8 x 53	1	



TRIM INSTALLATION - STAGE 3

PART #	DESCRIPTION	DIMENSIONS (where app.)	# OF PCS	CODE
P-1226	gable trim	1 x 2 x 26	2	
P-1292C	trim	1 x 2 x 92 1/4	8	
P-B-G645	skirting	1/2 x 6 x 45	6	
P-B-G633	skirting	1/2 x 6 x 33	12	
P-B-G446G	top skirting	1/2 x 4 x 46 1/2	2	
P-14B45K	bottom skirting	1 x 4 1/8 x 45 3/4	2	
P-1448GYg	gable fascia	1 x 4 x 48 1/2	2	
P-1471YA	gable fascia	1 x 4 x 71	4	