

# GREEN POD 4x4

## PANELIZED GARDEN BUILDING

---

### INSTRUCTIONAL MANUAL

Cedarshed Industries (1992) In.c  
9770 - 199A Street  
Langley, B.C. V1M 2X7  
Canada



GREEN POD

ASSEMBLY INSTRUCTIONS

1. Floor assembly .....page 5
2. Wall assembly .....page 6 to 8
3. Shelf assembly .....page 9 & 10
4. Roof assembly .....page 11 & 12
5. Trims .....page 13 & 17
6. Door & Hardware .....page 18
7. Ridge cap .....page 19

TOOLS YOU NEED

Garden tools for foundation leveling work.  
Power drill & drill bits.  
12" carpenters level.  
Hammer, saw, tape measure, pencil, etc.  
1/8" drill bit

MATERIALS REQUIRED

Concrete foundation pads where necessary.

ASSISTANCE REQUIRED

This can be a solo project but an extra pair of hands may be helpful.

NOTE:

Assembly of building will require the use of power tools and a ladder. Please take precautions at all times. Please visit our website at [www.cedarshed.com](http://www.cedarshed.com) for additional safety tips and other considerations to promote safe and enjoyable usage of your Cedarshed Product for years to come.

## GREEN POD

All Cedarshed products are constructed of Western Red Cedar.

### Safety Points and Other Considerations

As a proud owner of a Cedarshed gazebo, garden shed or outdoor furnishing(s), we want you to safely enjoy it for many years to come. Our products are built for use based on proper installation on level ground and normal residential use. Please follow the Assembly Manual when building the structure, and keep this manual as a reference for future maintenance.

When using power tools, ladders or any other tool, observe all safety precautions recommended by the manufacturer. Always use appropriate safety equipment, including eye protection.

Customers agree to hold Cedarshed Industries (1992) Inc. and any Authorized Dealer free of any liability for improper installation, maintenance and repair of any Cedarshed product.

### Some Safety Tips to consider include:

1. Roof snow load rating varies by geographical location. If a heavy or wet snowfall occurs, it is advisable to clear the snow off the roof.
2. If the structure is elevated above ground, local Building Code requirements are solely the owners responsibility, and should be abided by.
3. In high or gusty wind conditions it is advisable not to touch the structure, and it may be advisable to keep the structure securely grounded.
4. Have a regular maintenance plan to ensure floors, walls, doors, windows, roofing members etc. are secure and ready for adverse weather conditions.
5. In some geographical regions, our products are not rated for human occupancy. Please check with local authorities if this is the intended use.
6. It is important to properly prepare the foundation to ensure the proper construction of Cedarshed products. Please review the information in this Assembly Manual or our website or alternatively, consult with a professional with knowledge on properly preparing a foundation.

Our customers love telling us their Cedarshed stories and we are proud to hear them. Local conditions, personal construction abilities and other factors may affect the construction of any Cedarshed product, so it is possible that your experience may differ from those presented in this manual, in our catalogue or on our website.

## UNPACKING

To confirm you have received all parts, sort pieces according to usage. Call or e-mail us immediately if you are missing any parts and we will courier any part(s) within seven (7) days, free of charge.

Toll Free Customer Support Line: 1-800-830-8033

Email: Sales@cedarshed.com

If you will be working on a Cedarshed product over the course of several days, please cover any pieces to keep them sheltered from the elements.

## PARTS LIST FOR GARDENER'S HUTCH

Part Name	Size or Type	No.
-----------	--------------	-----

### FLOOR

Floor panel	19 1/4" x 46"	2
-------------	---------------	---

### WALLS

Back wall panel	19 1/4" x 61 7/8"	2
Side wall panel	19 1/4" x 65 1/2"	4
Shelf panel	19 1/4" x 43"	1

### DOOR

Door	21 x 59 3/4"	2
------	--------------	---

### ROOF

Roof panels	22 3/8" x 48 1/4"	2
-------------	-------------------	---

Part Name	Size or Type	No.
-----------	--------------	-----

### TRIM

Door stop	1" x 2" x 57 3/4"	1
Vertical front side	1" x 3" x 60 1/4"	2
Vertical back side	1" x 2 1/4" x 63 1/2"	2
Back bottom skirting	1" x 2" x 43 1/8"	1
Bottom side skirting	1" x 2" x 38 5/8"	2
Top skirting for back wall	1/2" x 2 1/2" x 21 1/2"	2
Shelf supports angle cut	2" x 3" x 5"	5
Front roof trim set pre-attached	1" x 3" x 47 1/2" plus 1" x 2" x 43"	1
Ridge cap	4 3/4" x 48 1/4" □	1
Plaque - no logo		2

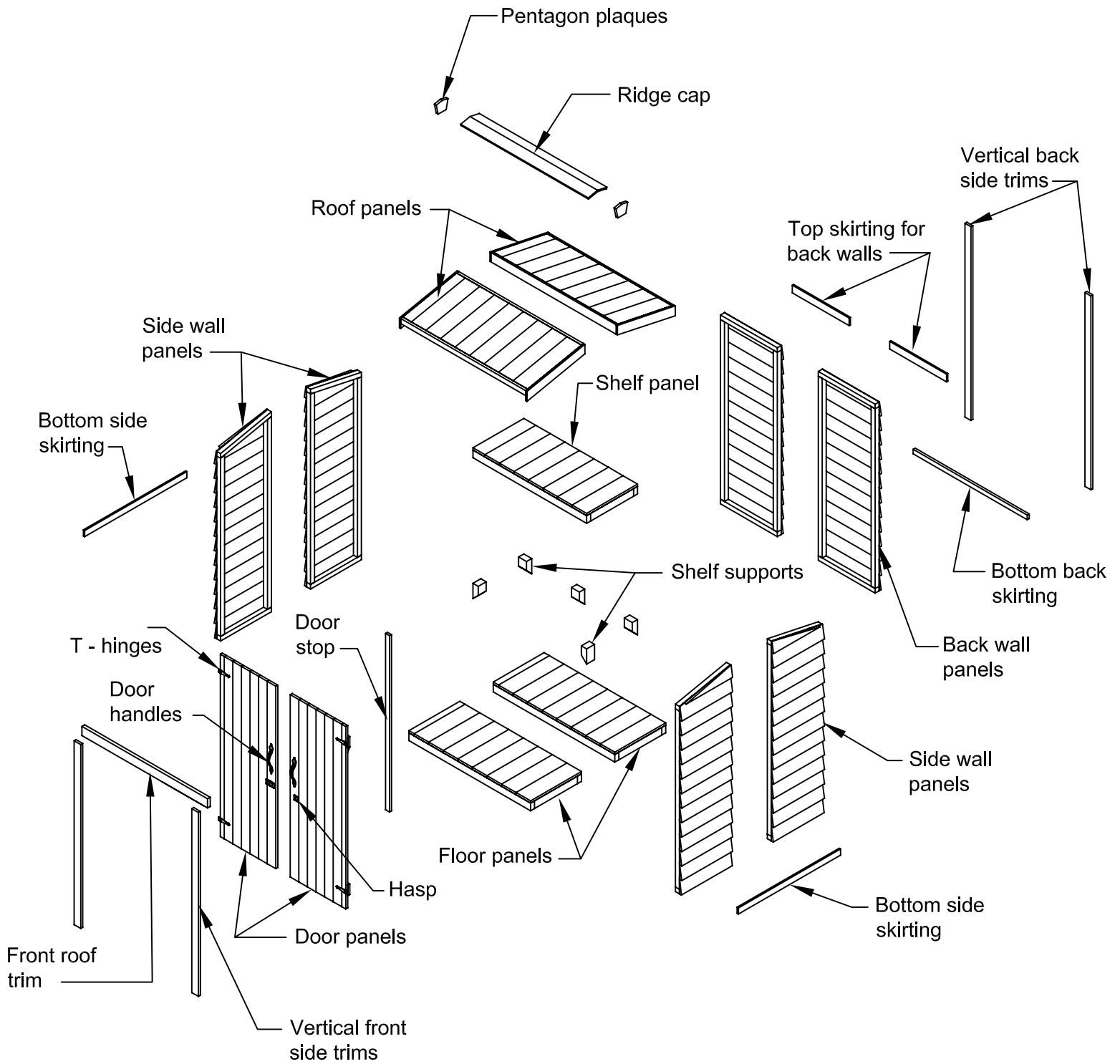
### HARDWARE

3" screws	bag	50
2" screws	bag	20
1 3/4" finishing nails	bag	50
Door handles		2
Hasp		1
4" T - hinges		4
1 Drill bit, assembly manual and questionnaire		

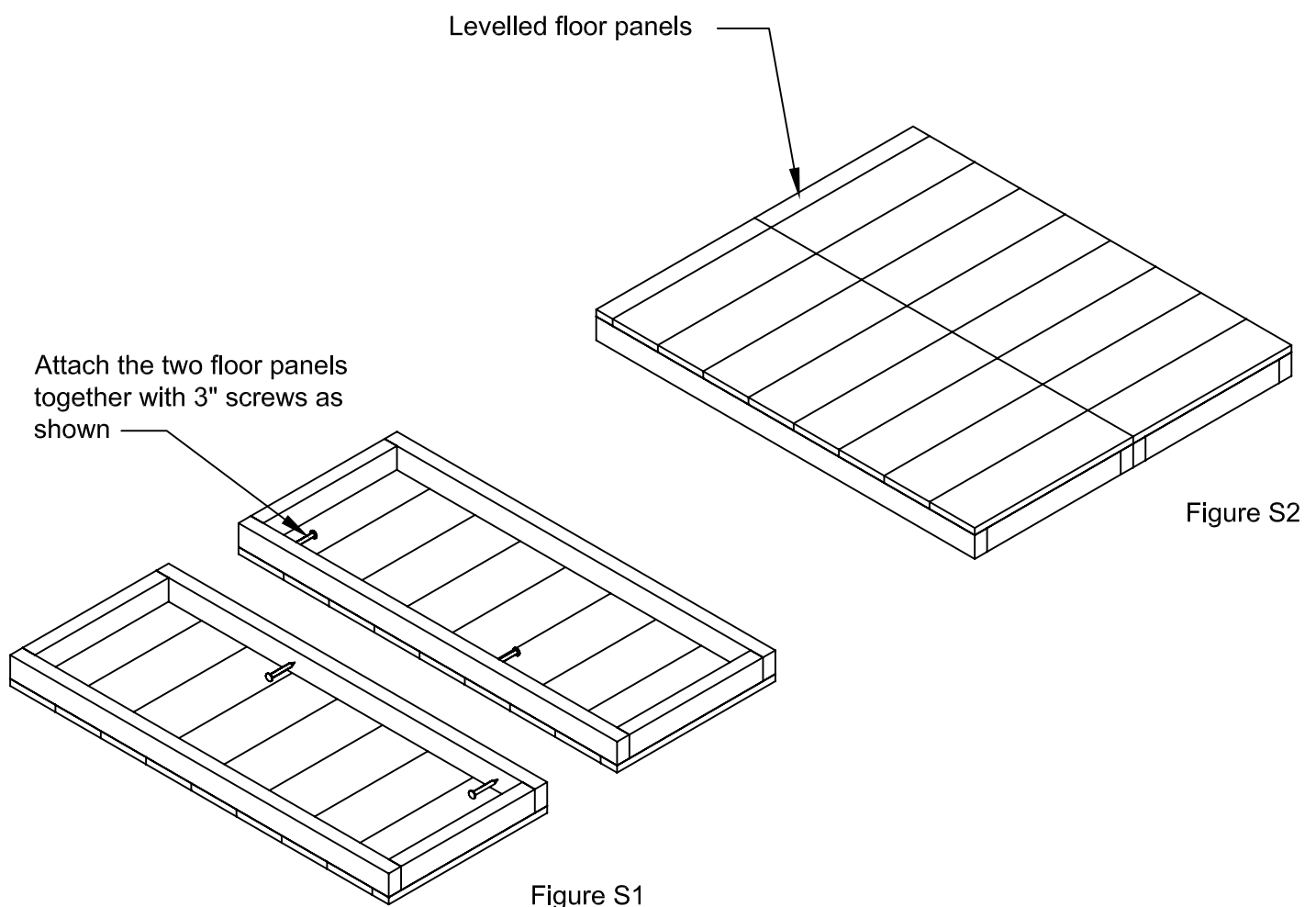
To confirm you have received all materials, sort them according to this list. Call or e-mail us if you are missing items and we will courier or ship as soon as possible.

Protect your buildin materials from wet weather by covering them when necessary.

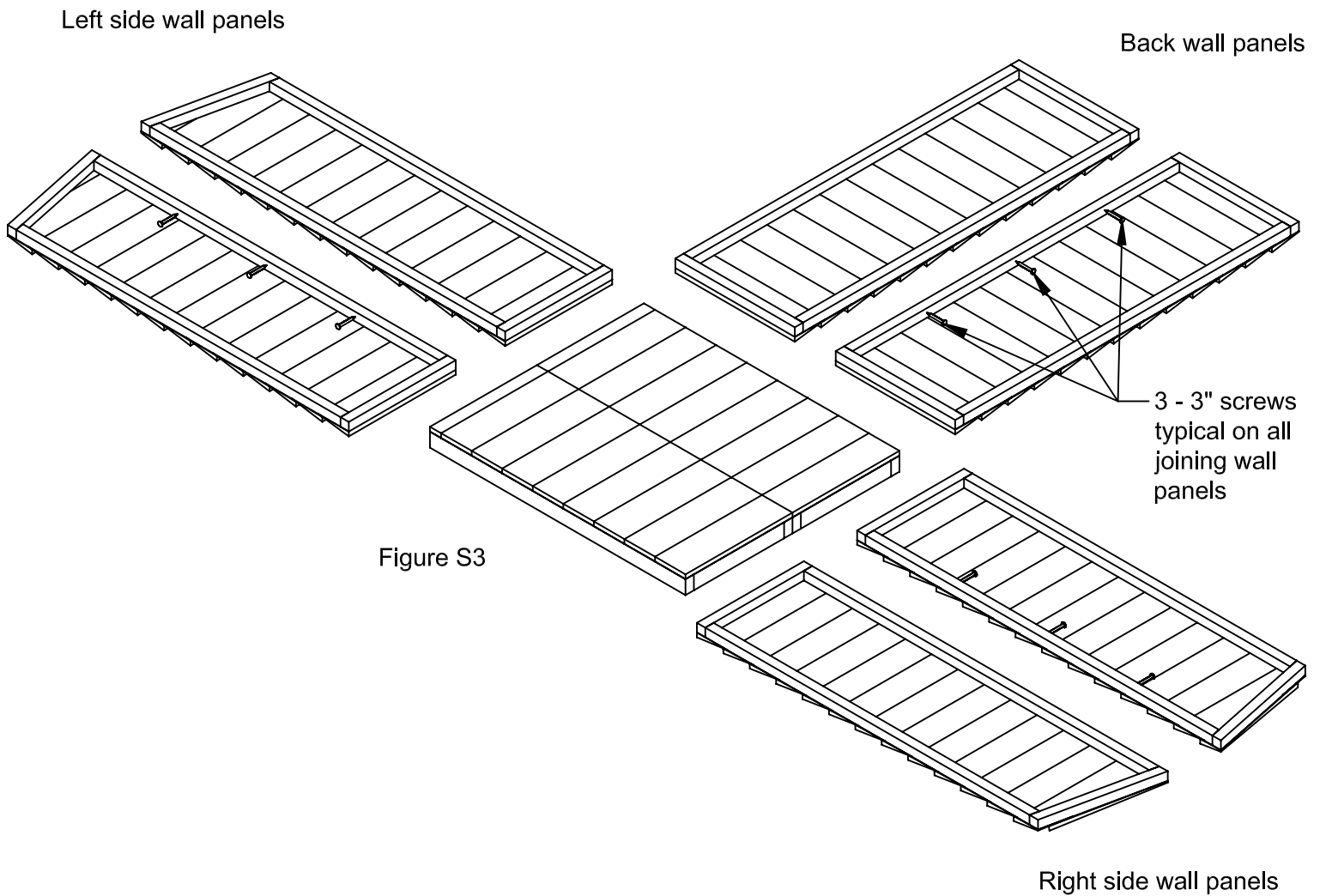
# UNPACKING



1. If placing the Green Pod outside, raise the structure off the ground by using 1" (25.4 mm) patio stones would be recommended. This allow the underside of the floor joist to remain dry thus preventing the onset of dry rot. This is even true of it being setup on a concrete surface.
2. Turn over the two floor panels upside down and attach the two floors panels with 3" screws as shown on Figure S1.
3. Flip the floor panels over and place them on a level ground or level foundation. (Figure S2)

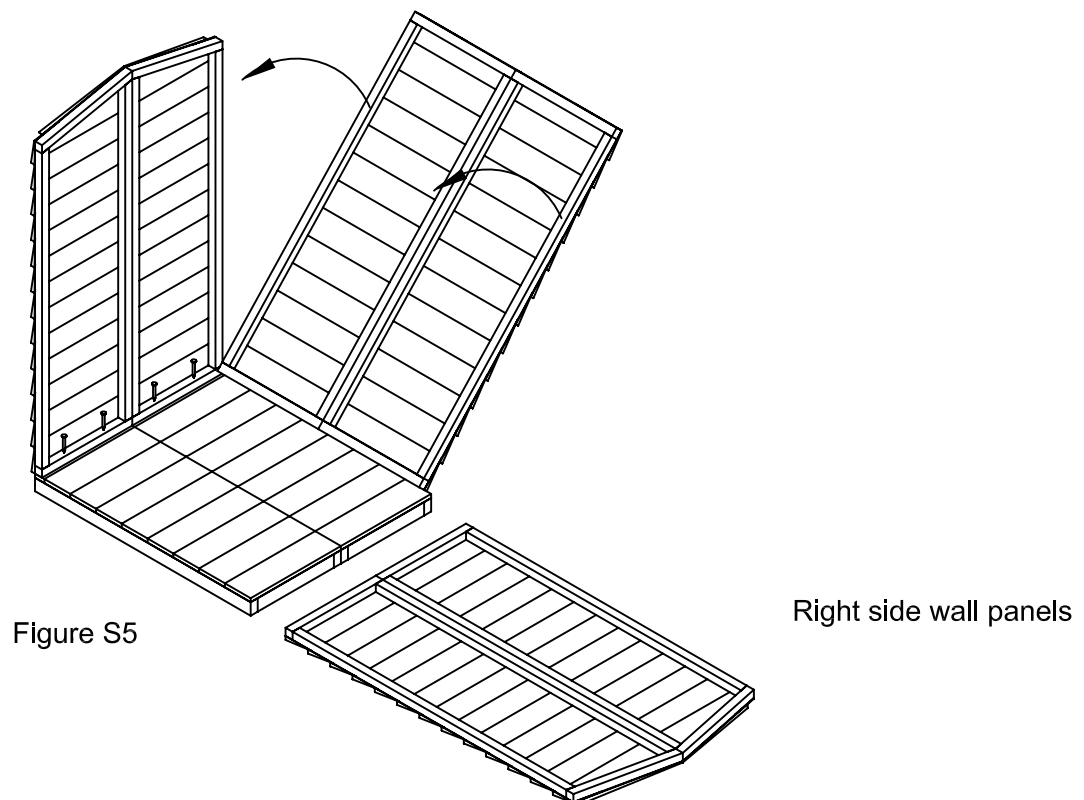
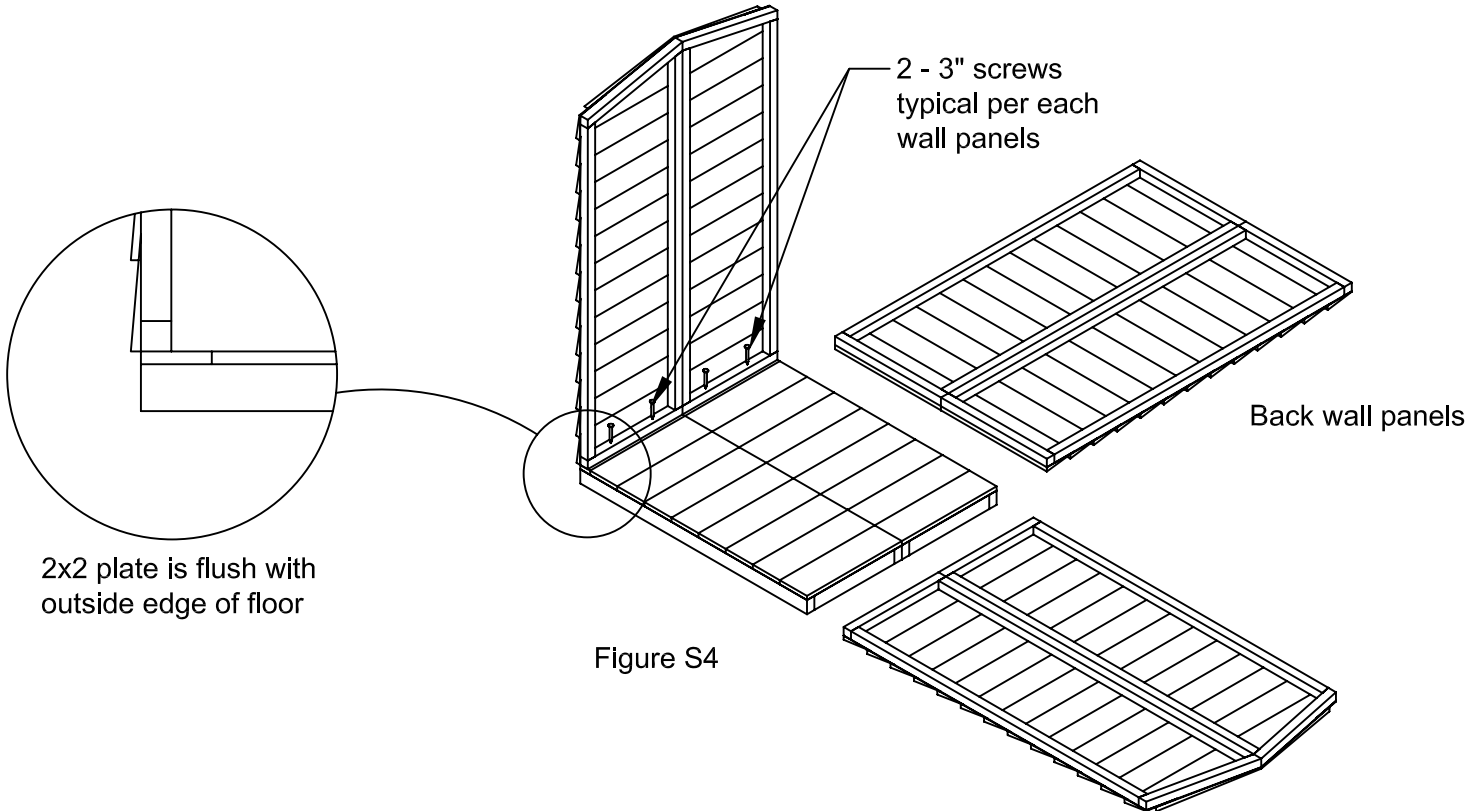


4. Place all wall panels on the ground as shown on Figure S3
5. Fasten all joining wall panels by using 3 - 3" screws



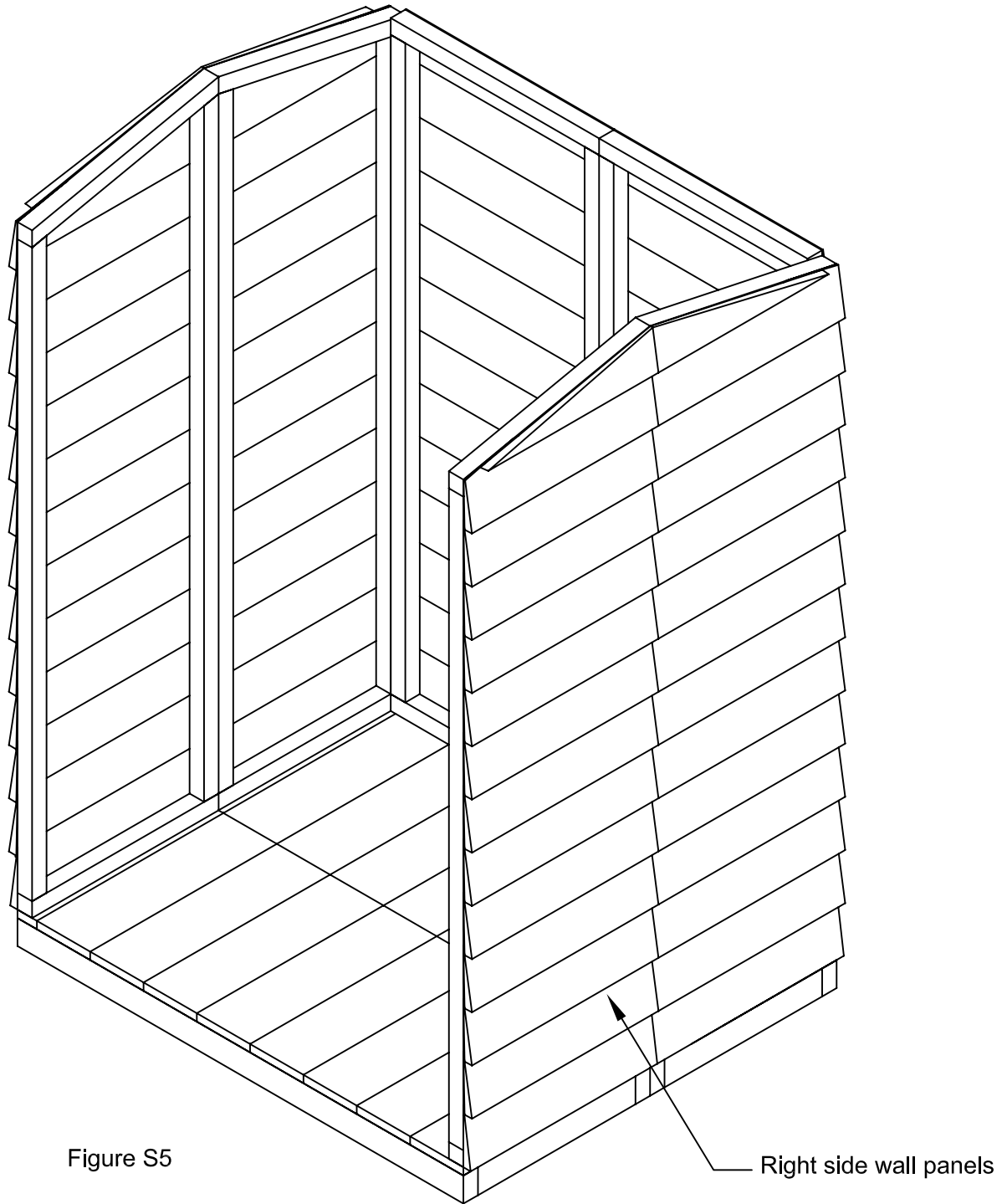
6. Lift the assembled left side wall panels and position it on the floor so the bottom 2x2 wall plate is flush with the outside, front and rear of the decking edges. (Figure S4) Secure the floor with 2 - 3" screws per wall panel as shown.

5. Lift the assembled back wall panels onto the floor as shown in Figure S5. Ensure that the 2x2 side wall panel frame is flush with the rear face of the back wall panel. Also the 2x2 floor plate should sit flush to the rear of the floor. Use 3" screws to hasten the back wall to the floor.





6. Place the assembled right side wall panels into its proper position, flush with the rear and front decking. Like the left wall, use 3" screws to mount it to the floor and 3" screws to fasten it to the adjacent back wall at the 2x2 butt joint (see Figure S6).



7. Place the shelf supports at the desired height.
8. With a 2 - 3" screw mount the shelf support at one of the corner, see Figure S7.
9. Using a 2x2 or a 2x4 and a 12" carpenter's level, mount the another shelf support at the opposite corner with 2 - 3" screw, make sure both corner mounts are level. Add the middle shelf support, levelled with the corner shelf supports. (Figure S8)
10. With the same procedure as above instructions, continue with both side walls, see Figure S9.

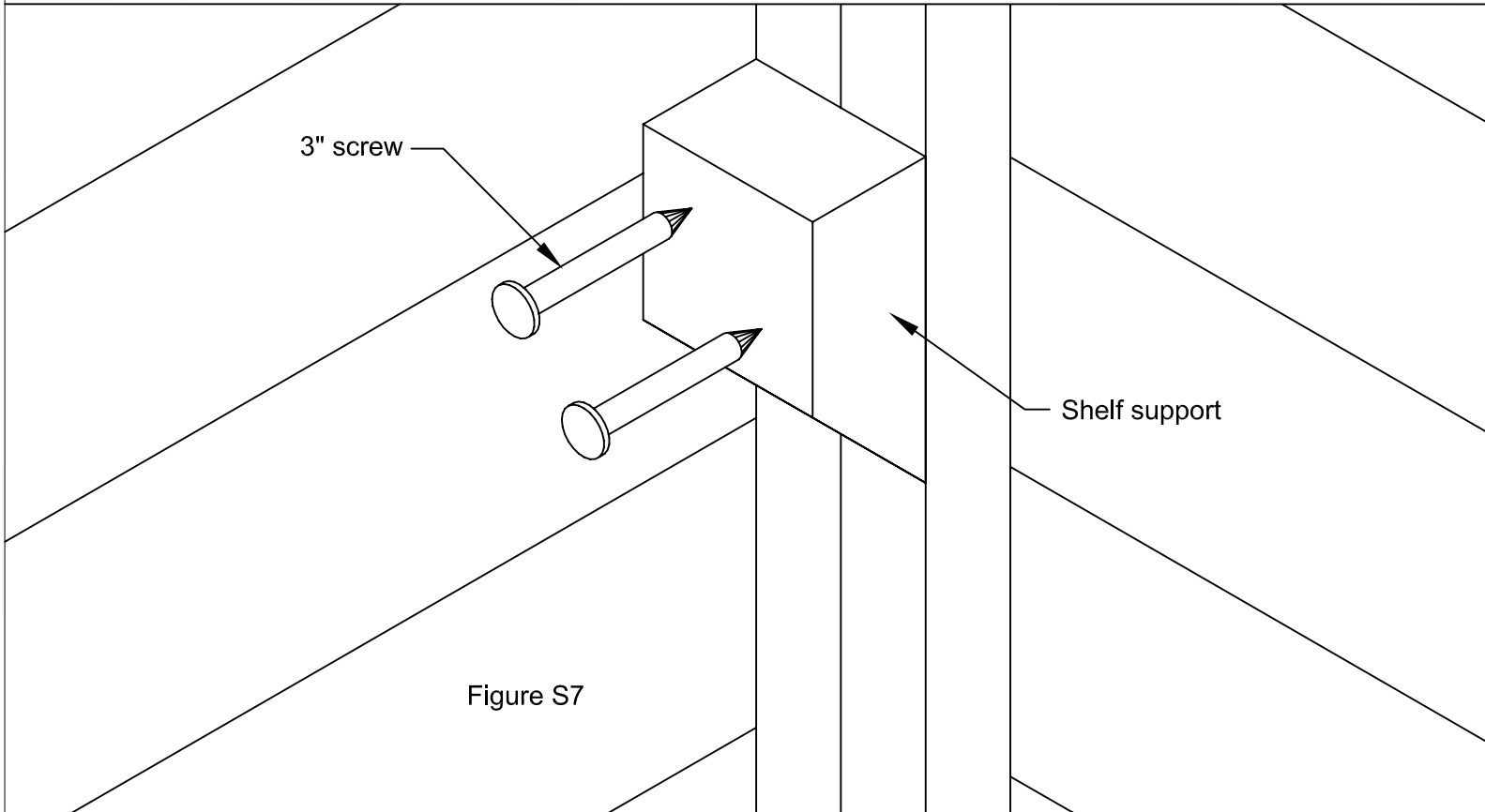


Figure S7

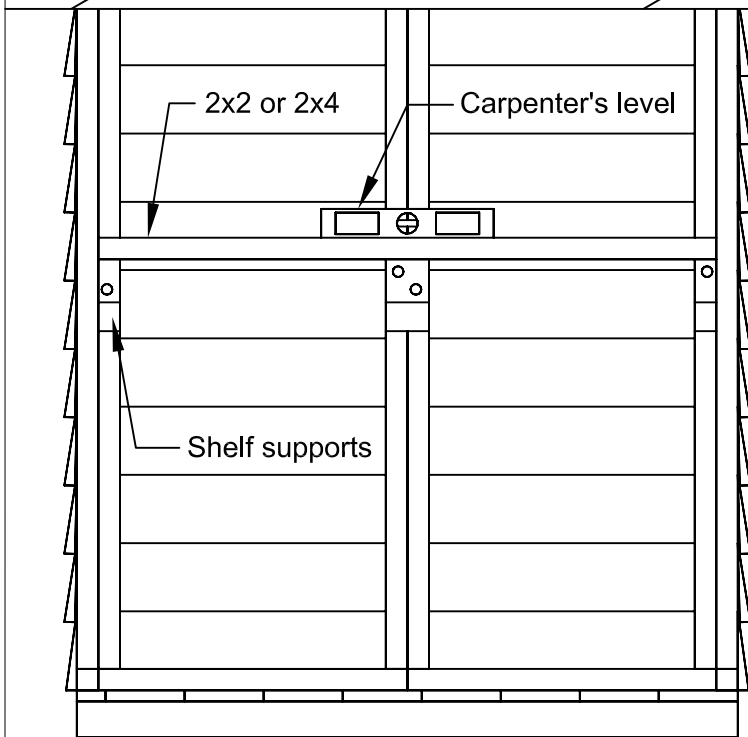


Figure S8

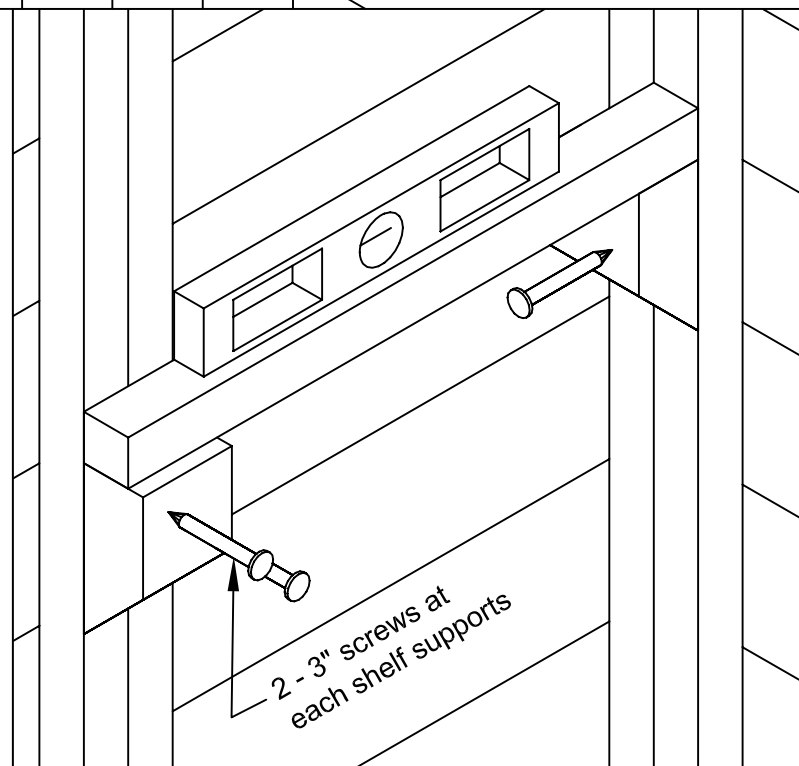


Figure S9

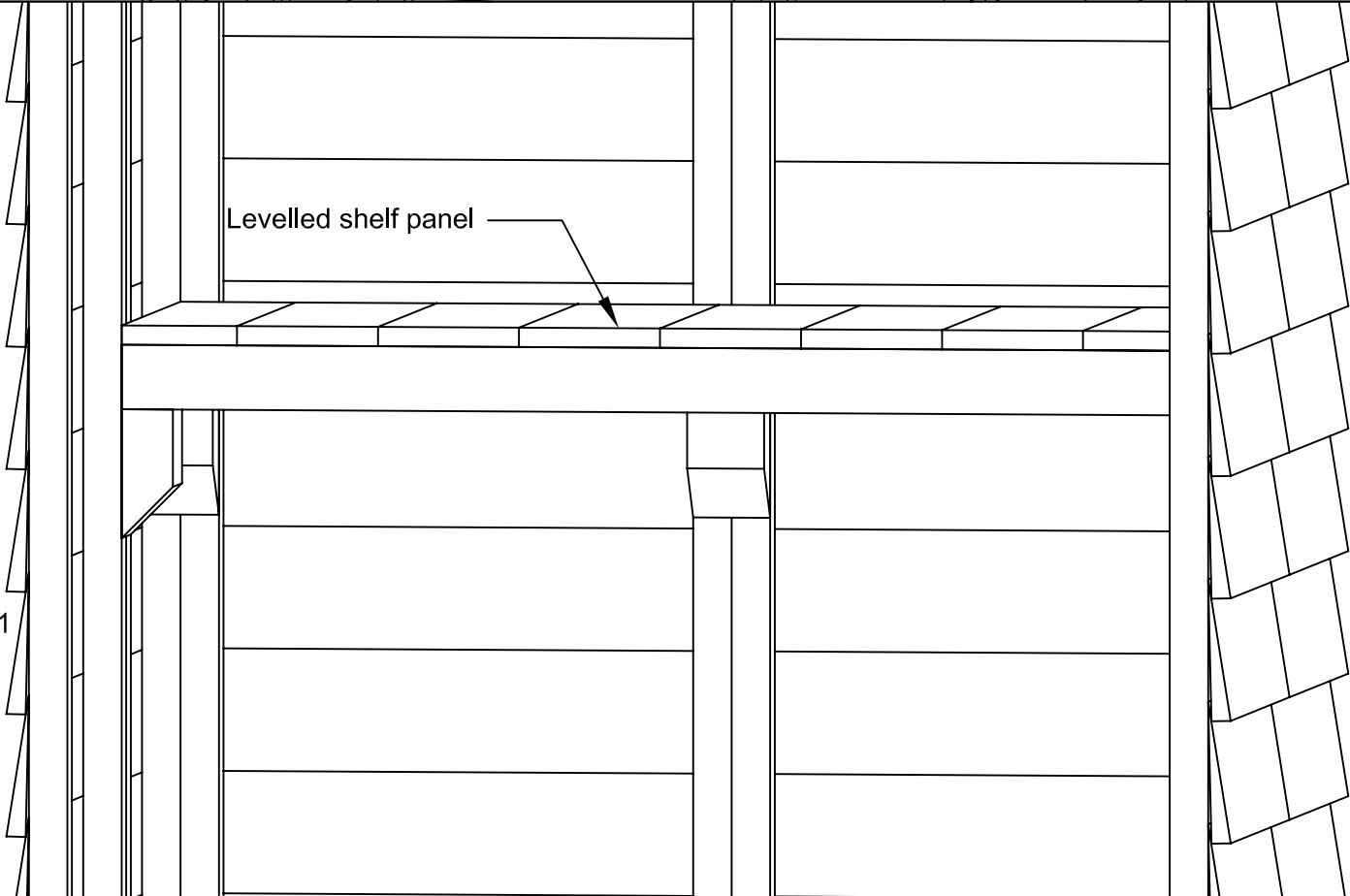
11. Lift and slide in the shelf panel inside the structure at an angle and let it sit on the back three shelf supports as shown on Figure S10.

12. Gently lower the front end of the shelf panel, so it will sit on all five shelf support, see Figure S11. Secure the shelf to the shelf supports using 5 - 3" screws.

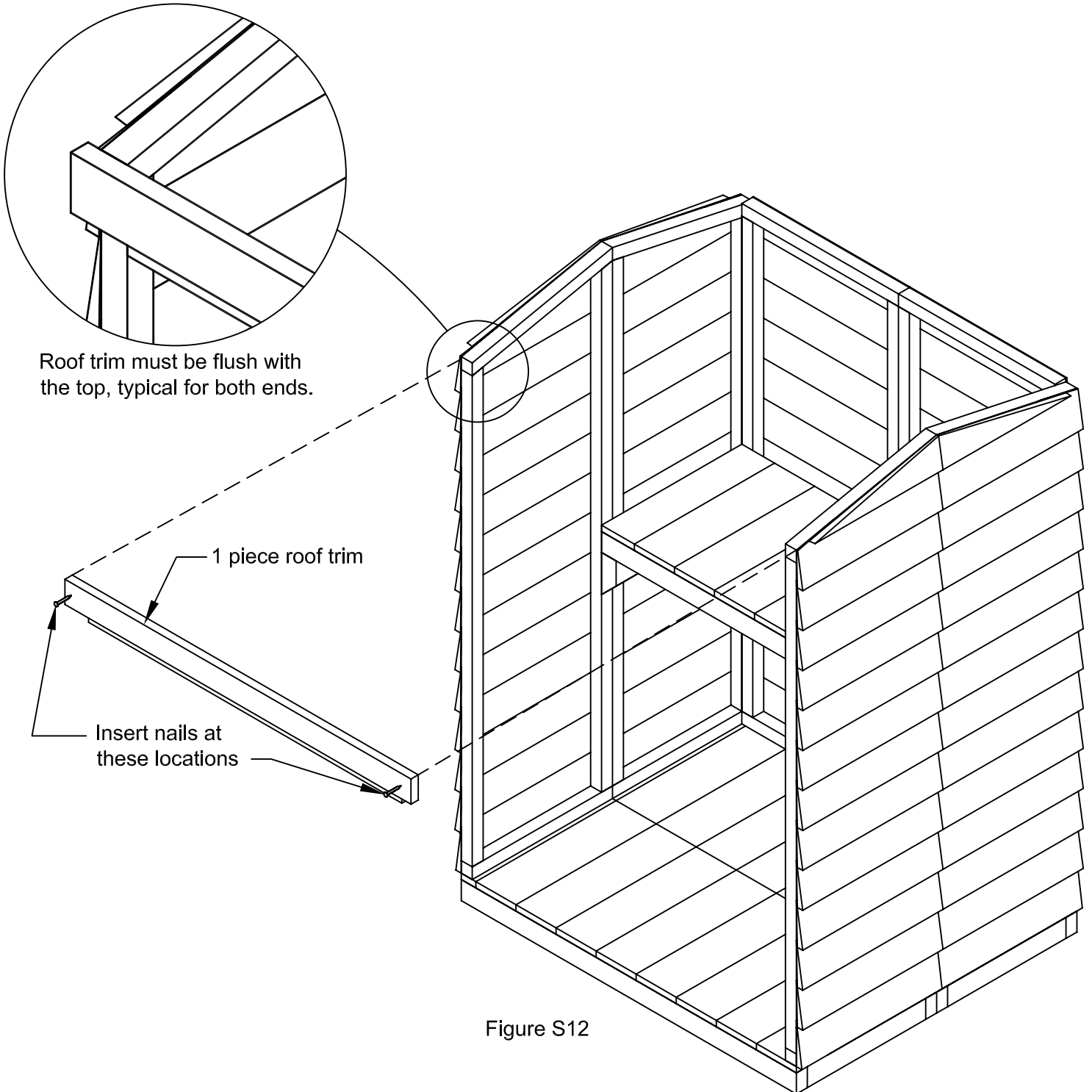
Figure S10



Figure S11



13. Place the roof trim between the wall side panels and nail into place using 1 3/4" finishing nails, on each end to the wall framing.



14. Drop the roof panels into place. Adjust its position by making sure the roof frame sits flush on top of the 2x2 framework of the walls. From the inside of the structure, secure the roof with 2" screws up through the 2x2 wall frame and into the roof frame, see Figure S13.

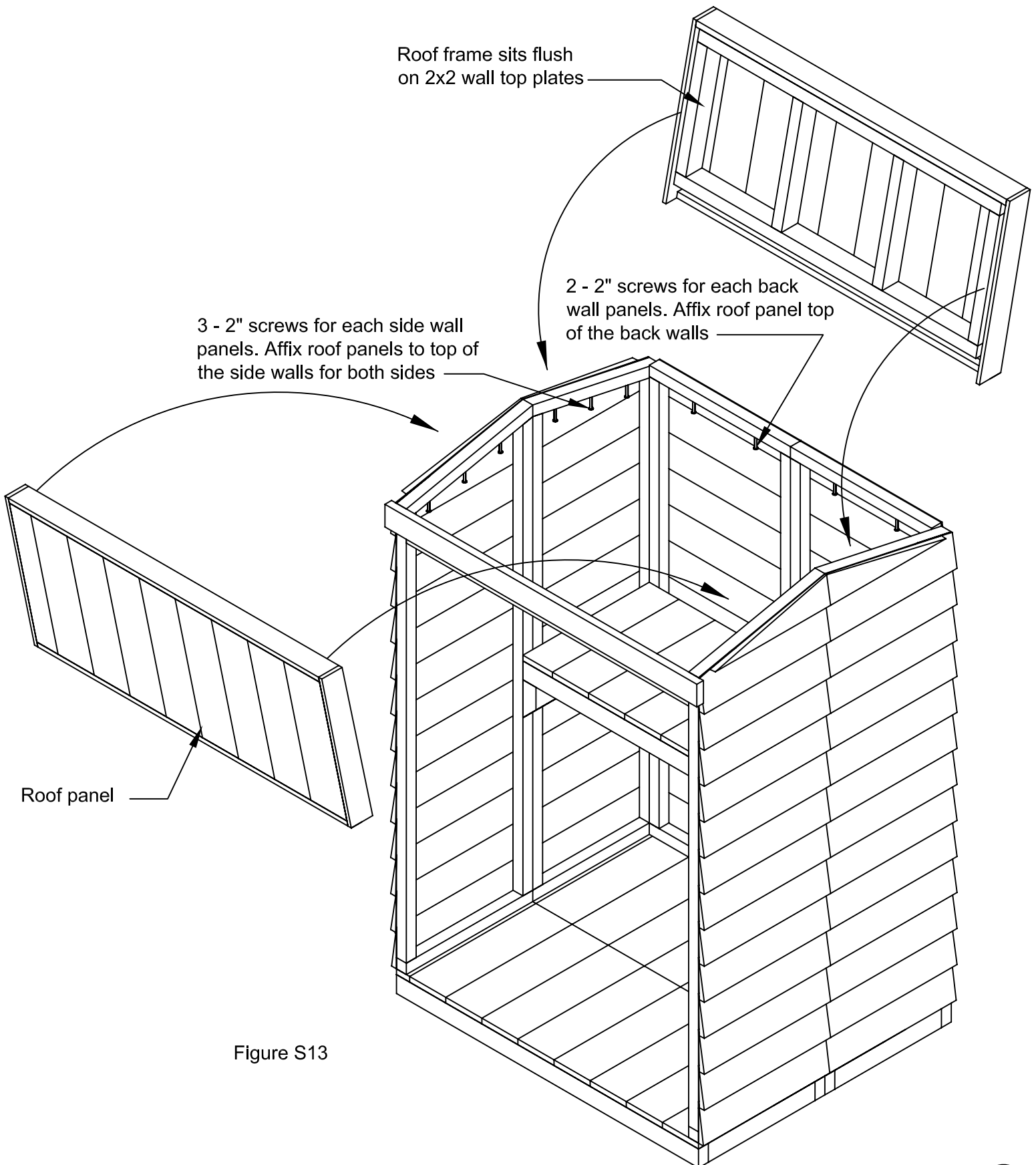


Figure S13

15. Fasten the two vertical front trim boards to the front corners of the structure. They will fit flush against the outside of the siding and line up with the base and roof trim outside edges.

Repeat the procedure with the side floor trim pieces, as shown in Figure S14. Use 4 - 1 $\frac{3}{4}$ " finishing nails per side floor trim.

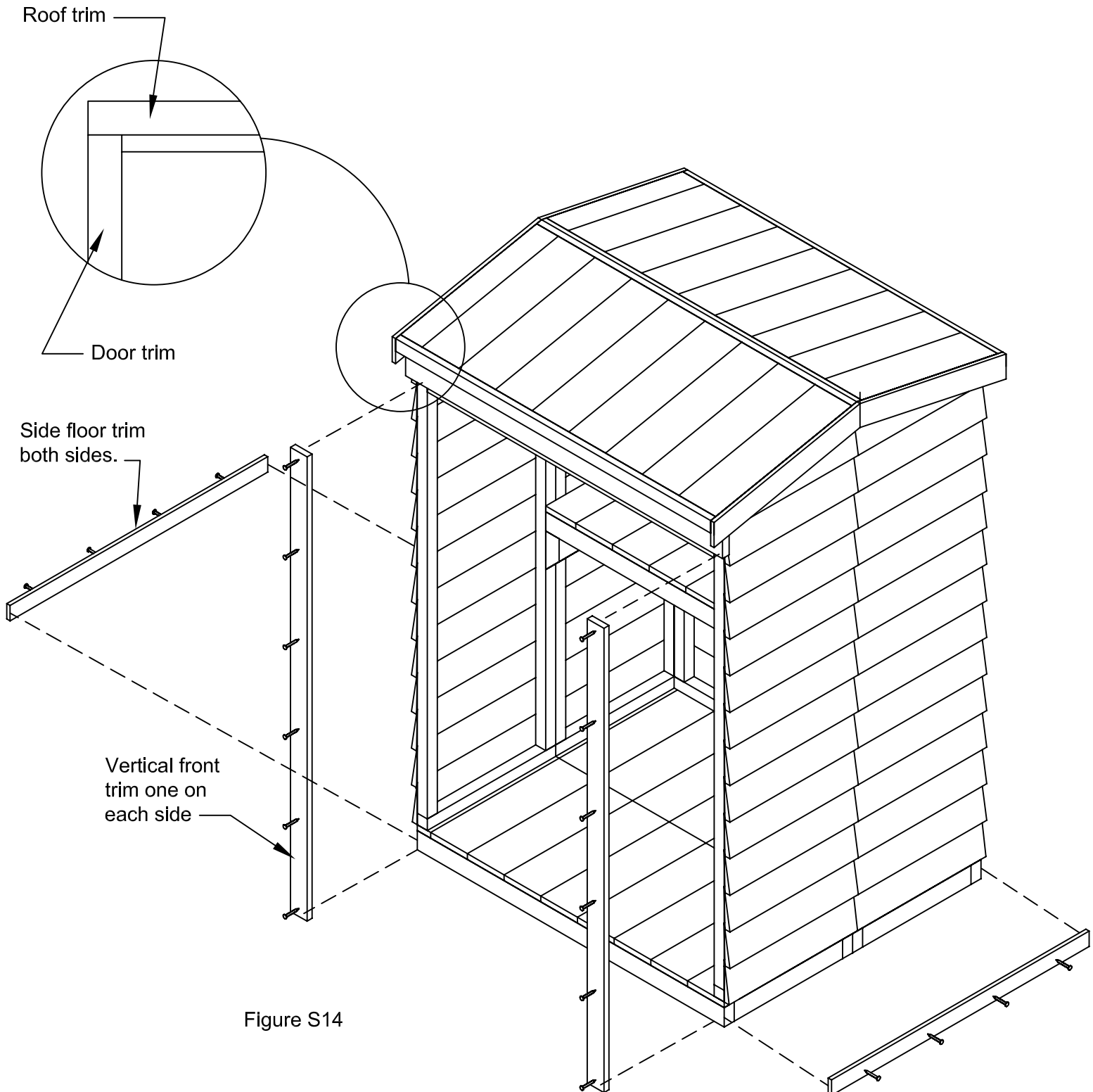


Figure S14

16. Using 2 - 1 $\frac{3}{4}$ " finishing nails, fasten the two top skirting assembly on the back wall as shown in Figure S15.

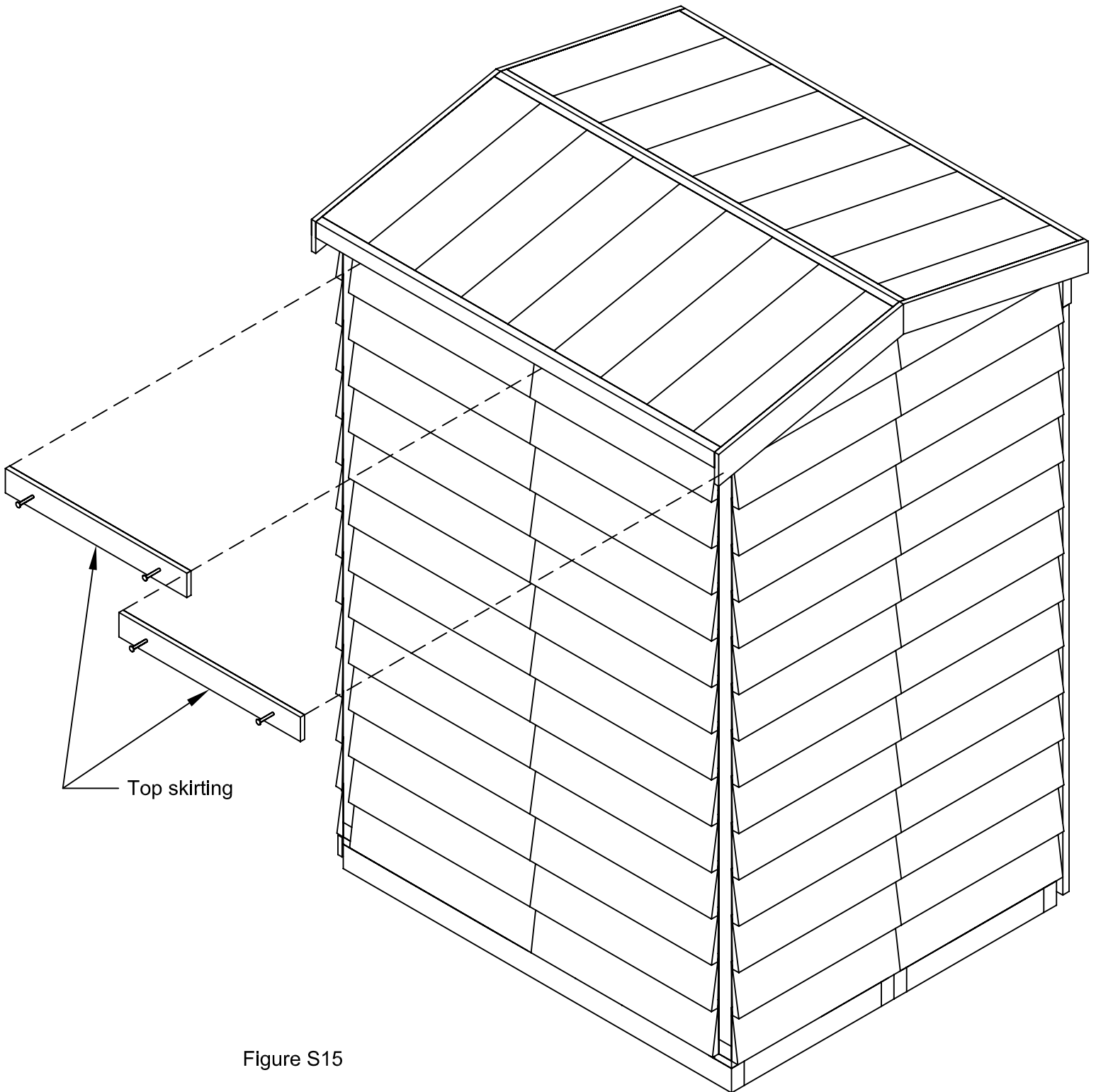


Figure S15

17. Repeat the same procedure that used on the front vertical trims. Use 6 - 1 $\frac{3}{4}$ " finishing nails to fasten the two vertical back trim pieces.

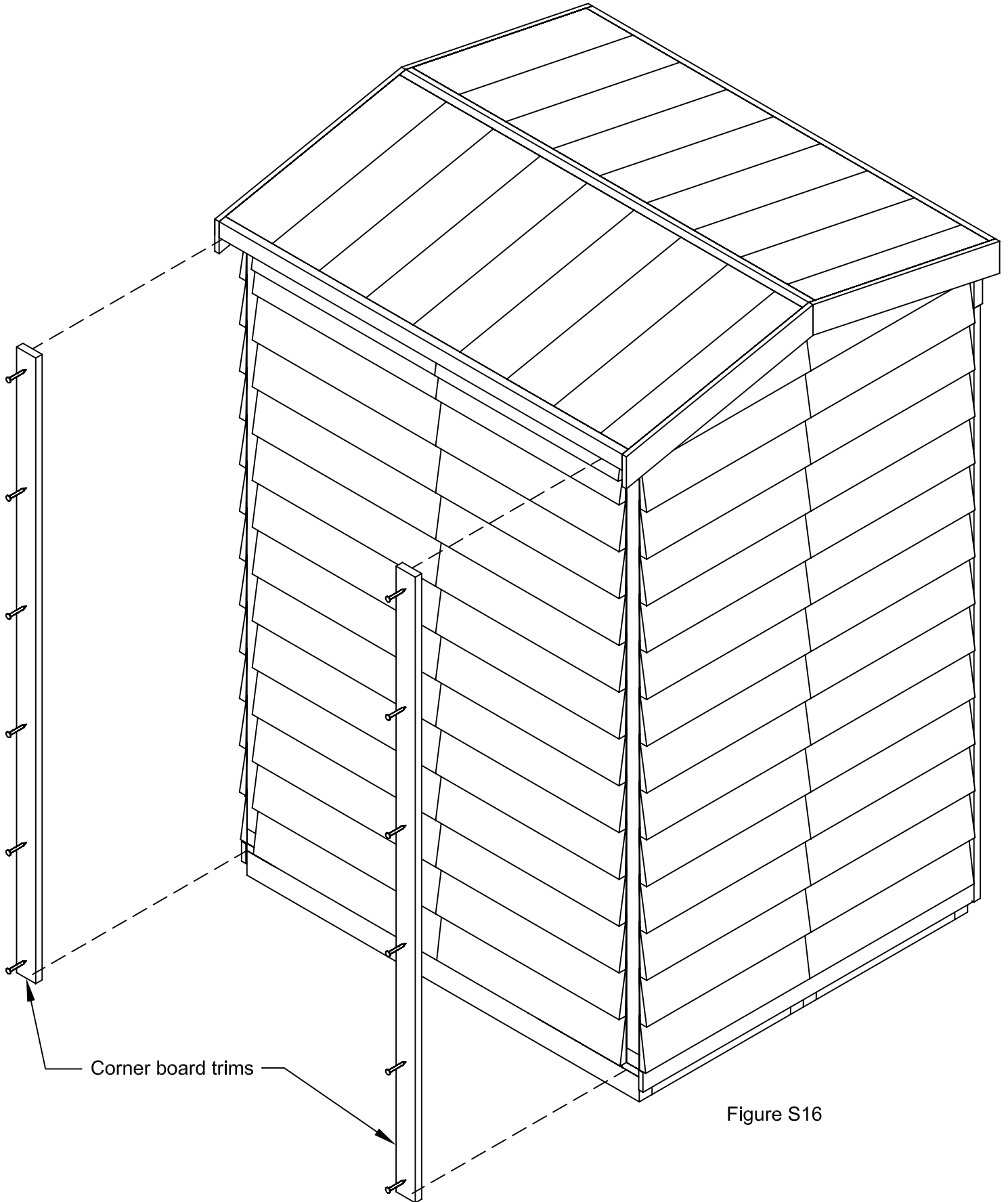


Figure S16



18. Complete the base of the structure with the back bottom skirting, shown in Figure S17. Use 3 - 1  $\frac{3}{4}$ " finishing nails.

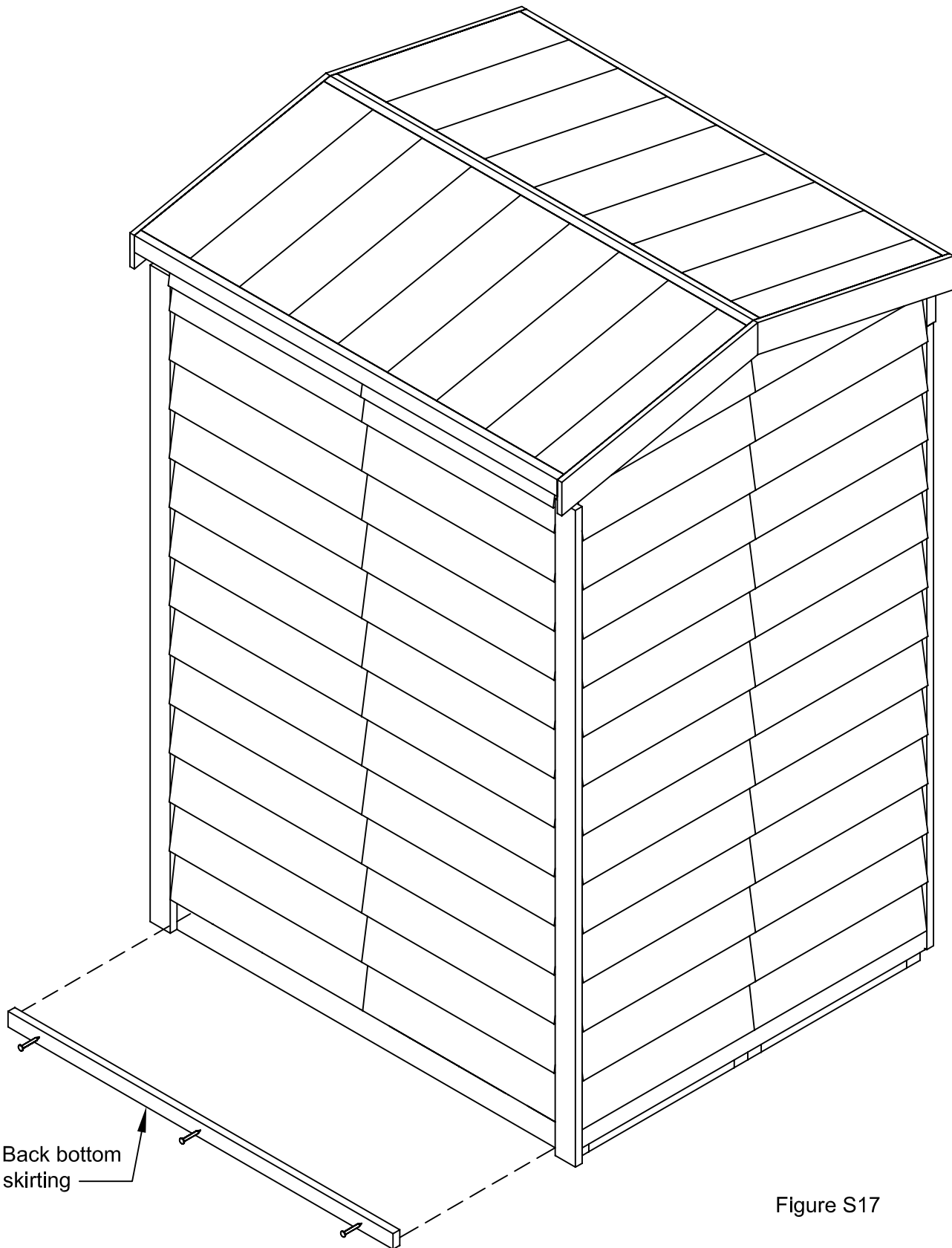


Figure S17

19. First identify the top of each door. The middle horizontal trim on the door is located about 2 feet [610 mm] from the top of the door.

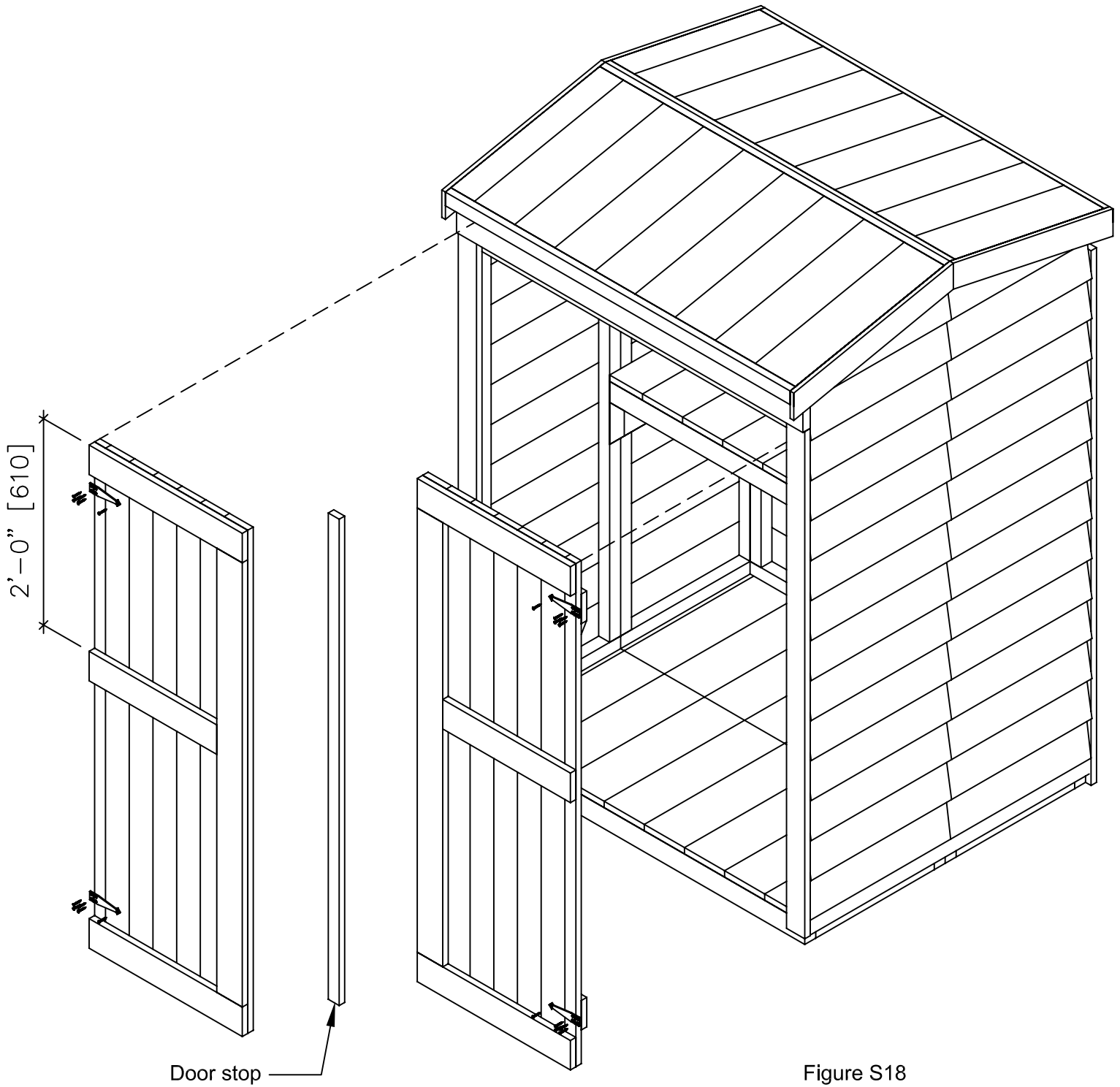
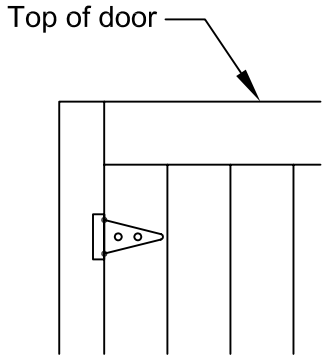
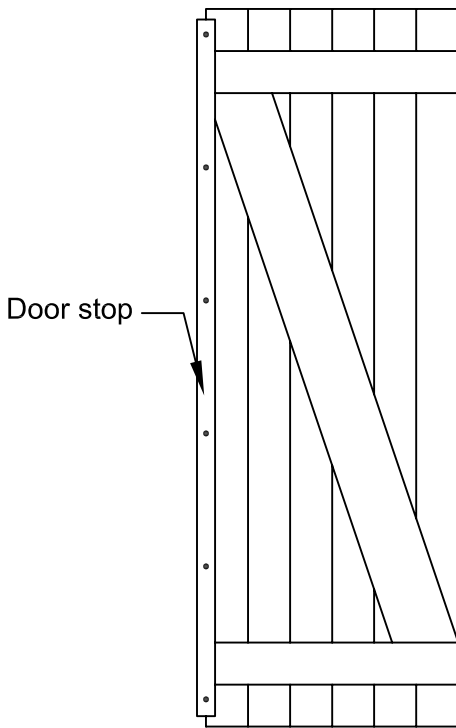


Figure S18



HINGE PLACEMENT

20. The hinge pin should sit right over top of the seam between the door and the door trim. Using the 1/8" drill bit pre-drill holes before mounting the hinge screws. First mount hinges to the then use the door spacer shim supplied, to raise the door above the front floor trim to the proper clearance height then mark the screw locations on the door trim. Pre-drill with 1/8" drill bit then mount door to the front.



INSIDE VIEW OF DOOR

21. Using the 1/8" drill bit, pre-drill the holes on the door stop before mounting on the door. Use about 6 - 1 3/4" nails to affix the door stop to the door.

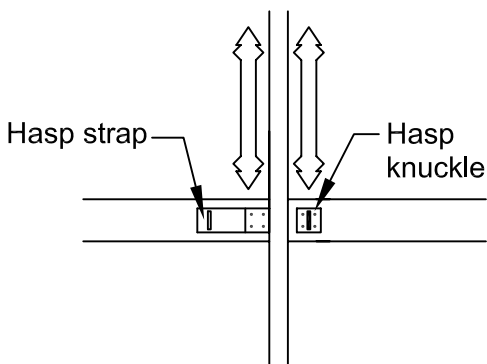


FIGURE FOR DOOR HARDWARE

22. Door handle and hasp placement. Pre-drill holes using the 1/8" drill bit. Use the black screws provided, see "Figure for Door Hardware" for details.  
NOTE: The screws may come through the door, if so, use a metal file to dull the protruding point of the screw.

23. Fasten the ridge cap to the roof panel, use 1  $\frac{3}{4}$ " finishing nails as shown Figure S19. Lastly fasten the two pentagon plaques on both ends with 2 - 1  $\frac{3}{4}$ " finishing nails.

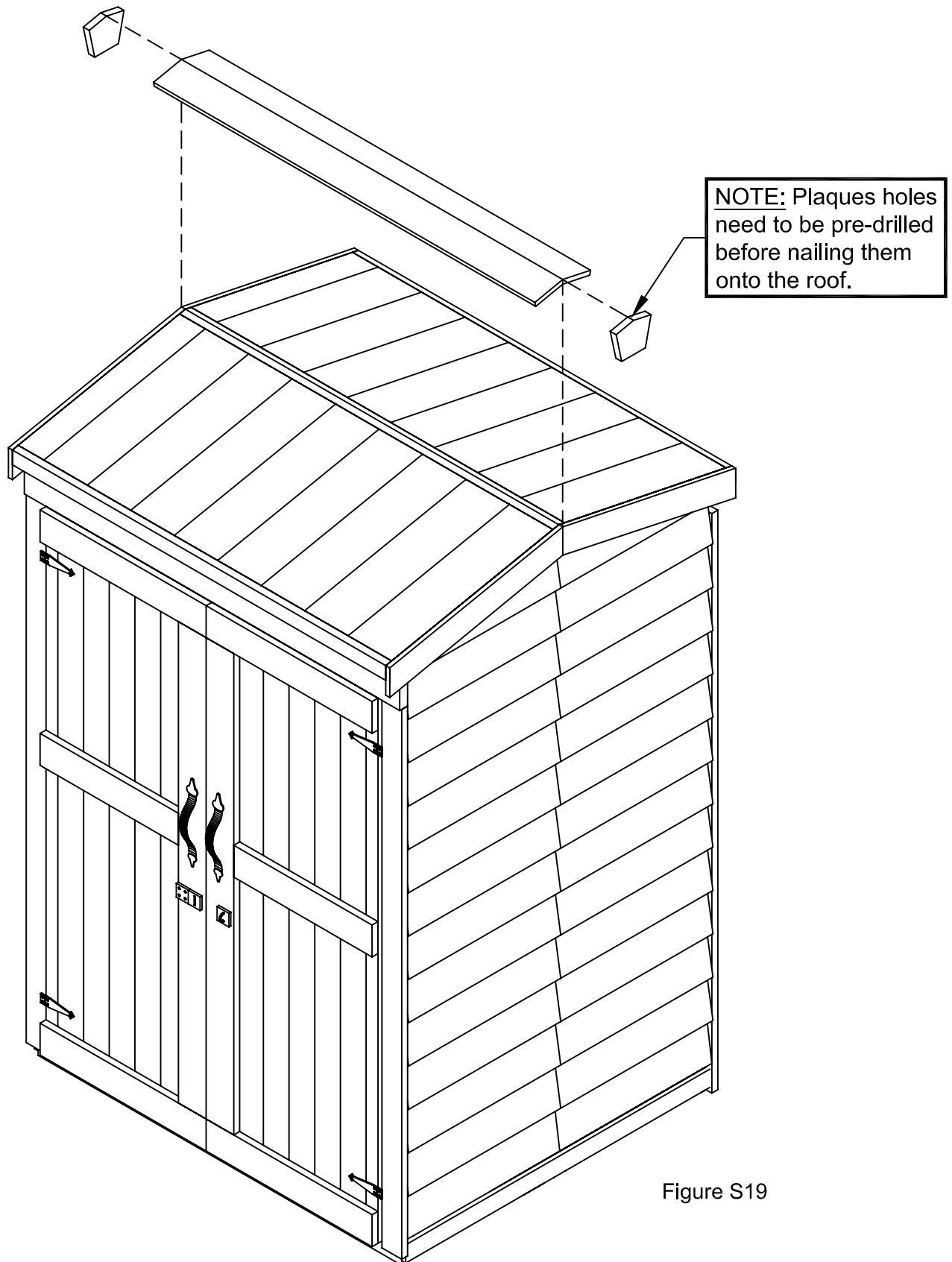


Figure S19

## CONGRATULATIONS

You have successfully completed the construction of your Gardener's Hutch. Thank you for choosing a CEDARSHED product. We hope that your entire experience was a rewarding one and that you and your family will have years of enjoyment with our product.

As mentioned in the questionnaire (included inside the unit packaging along with the checklist of parts), by completing our questionnaire and mailing a picture of your completed Cedarshed product, we will send you a personalized plaque free of charge that you can mount on your structure (max. 36 letters). Don't forget to enter our Best Picture Contest. Also see Questionnaire for details.

Please refer to the questionnaire or call Cedarshed if you require additional information.

### ***TOLL FREE CUSTOMER SUPPORT 1-800-830-8033***

E-MAIL: [sales@cedarshed.com](mailto:sales@cedarshed.com)

Visit our website: [www.cedarshed.com](http://www.cedarshed.com)

### MAILING ADDRESS:

In Canada  
CEDARSHED INDUSTRIES  
9770 - 199A Street  
Langley, B.C. V1M 2X7  
Canada

In U.S.A.  
CEDARSHED INDUSTRIES  
P.O. Box 2189  
Blaine, WA., 98231  
U.S.A.

