



## **2.1 CHANNEL** DOLBY SOUNDBAR WITH WIRELESS SUBWOOFER

*Enjoy it.*

# USER MANUAL

Thank you for purchasing this Sound Bar, Please read this instruction manual carefully before using this product to ensure proper use. Keep this manual in a safe place for future reference.

A compact yet powerful Bluetooth soundbar with sleek looks and excellent audio response. 4 built speakers, 1 woofer provide clarity across a broad frequency range, with crisp highs and deep bass that belie the unit's size. An integral USB port enables playback of MP3/WAV files directly from compatible media, with further flexible input options including Aux, HDMI(ARC), Optical, Coaxial and Bluetooth. A convenient and cost-effective TV audio upgrade that doesn't compromise on performance.

- » Slender and stylish matte black design
- » Built-in 2.1 channel amplifier with 3 EQ presets
- » Versatile input options to support a range of devices
- » USB port for MP3 and WAV media playback
- » Remote control and Aux cable included
- » Built-in Dolby decoding technology

## Matters Need Attention

1. Don't put this product under high temperature wet environment and it will be worse when it is in the rain or crash strongly.
2. To reduce the risk of electronic shock or fire, do not remove the cabinet cover simply contact a service professional.
3. In the rear occurrence of malfunction, do not attempt to repair the unit on your own. Contact a certified service professional for a proper diagnosis and repair.
4. If fragments or liquids fall into device box, please cut off the power right away. And it can be used only after professional staff checks it.
5. Don't install the unit in or near a place where it may come in contact with

## **Technical Specifications and Features**

**Speaker drivers: 2.25"\*4 + 8 "1**

**SNR: >=75dB**

**Bluetooth version: 5.0+EDR**

**Bluetooth range: Up to 10m**

**Connections: HDMI(ARC), OPTICAL, USB 2.0, AUX (3.5mm), COAX**

**Support Dobby digital Technology certified**

**Power supply: Built-in AC100-240V for subwoofer**

## **Accessories**

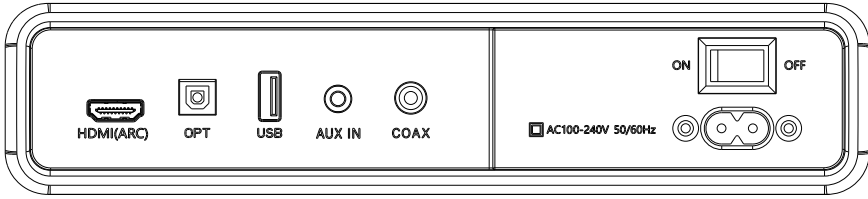
User manual x 1

Remote control x 1

Power Cable x 2

Aux Cable x 1

# Connections



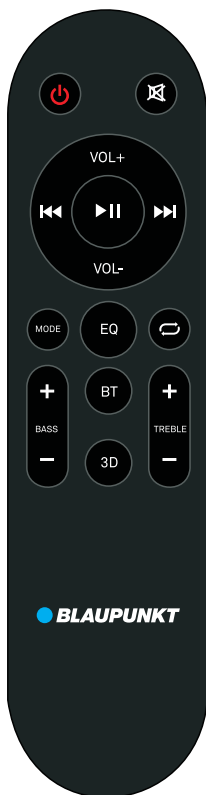
- 1. HDMI(ARC):** Use to connect compatible devices using a HDMI cable (not provided).
- 2. OPTICAL IN:** Use to connect compatible devices using an optical cable (not provided).
- 3. AUX IN:** Use to connect compatible devices using the 3.5mm – 3.5mm stereo jack cable (provided).
- 4. USB IN:** Use to connect a flash drive for direct MP3/WAV playback (FAT32 format and 64GB max).
- 5. COAXIAL IN:** Use to connect compatible devices using an coaxial cable ( not provided )

## LED display

- |                                 |                                     |
|---------------------------------|-------------------------------------|
| <b>1. Red LED:</b> Standby mode | <b>2. BT:</b> Bluetooth mode        |
| <b>3. USB:</b> USB media mode   | <b>4. AUX:</b> Auxiliary input mode |
| <b>5. OPT:</b> Optical mode     | <b>6. ARC:</b> HDMI(ARC)mode        |
| <b>7. COAX:</b> Coaxial mode    |                                     |

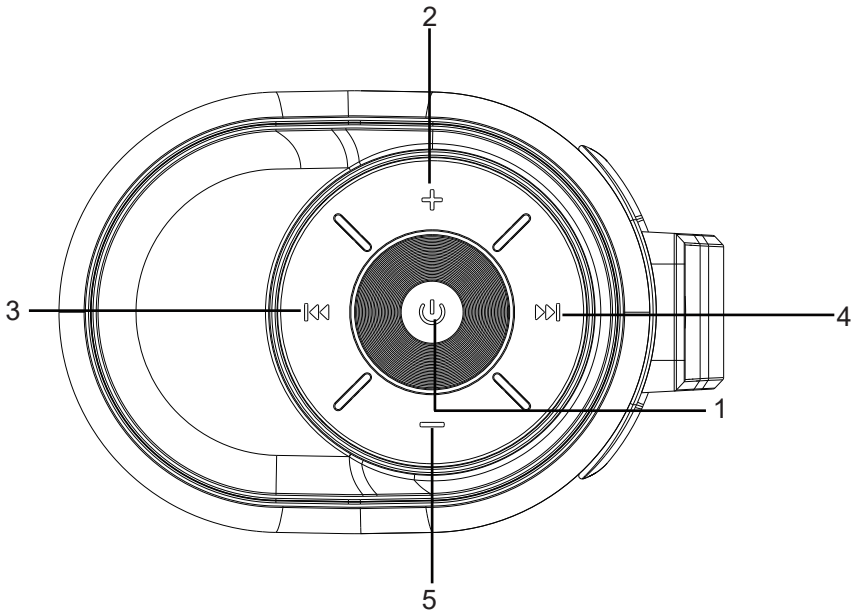


# Remote Control



Button	Function	Button	Function
	Power on/off	EQ	Change equalizer settings
	Mute or Unmute		USB repeat mode
VOL+	Increase volume	TREBLE+	Increase the Treble
VOL-	Decrease volume	TREBLE-	Decrease the Treble
	Previous track	BASS+	Increase the Bass
	Pause/Play	BASS-	Decrease the Bass
	Next track	3D	3D surround sound on/off
BT	Long press to disconnect BT/ reconnect BT	MODE	Change the input source

# Control panel keys



**1. Power ON/ OFF / Mode**

**2. Volume turning up**

**3. Previous track**

**4. Next track**

**5. Volume turning down**

## Subwoofer Pairing with Sound Bar

Use only needs to finish the first pairing connection between Soundbar and subwoofer, after then every time you Power ON the soundbar it will reconnect automatically in whatever mode.

- Switch on the Soundbar and Subwoofer
  - LED indicator on Subwoofer will begin to flash and enable the mode of Soundbar to BT mode
  - Importantly note that - At this stage ,please DO NOT connect any devices ( such as mobile phone ,tablet ) to Soundbar.
  - Hold the Play/ Pause button more than 3 seconds and the LED display will show “ pair” .After successful pairing , Soundbar will eject voice prompts “du”.
- The first connection usually take around 10 seconds

## Dolby Sound

The effect of sound is only noticeable when play music or movie with Dolby resources, especially when the 3D sound is turned on for the Dolby movie.

## Input Functions

- » **Power on/off:** Press the Power on/off button on the remote control or soundbar control panel to turn the unit on and off.
- » **HDMI(ARC):** Connect an HDMI ARC compatible device to the HDMI(ARC) port on the soundbar using a HDMI cable (not supplied). Select HDMI(ARC) mode either by pressing the HDMI(ARC) button on your remote control or repeatedly pressing the MODE button on the soundbar control panel until ARC is displayed on the LED display. Ensure HDMI ARC is selected as the TV's audio output, then adjust the volume of soundbar using the Volume up and Volume down buttons on the remote control or soundbar control panel.
- » **AUX in:** Connect a compatible device using the 3.5mm – 3.5mm stereo jack cable. Select AUX mode either by pressing the AUX button on your remote control or repeatedly pressing the MODE button on the soundbar control panel until AUX is displayed on the LED display. Ensure the connected device is producing an audio signal, then adjust the volume of soundbar using the Volume up and Volume down buttons on the remote control or soundbar control panel.

» **Optical in:** Connect a compatible device to the OPTICAL input on the soundbar using a digital optical cable (not supplied). Select OPT mode either by pressing the OPT button on your remote control or repeatedly pressing the MODE button on the soundbar control panel until OPT is displayed on the LED display. Ensure Optical SPDIF is selected as the TV's audio output, then adjust the volume of the soundbar using the Volume up and Volume down buttons on the remote control or soundbar control panel.

» **Bluetooth:** Press the BT button on the remote control or repeatedly pressing the MODE button on the soundbar control panel until BT is shown on the LED display. The LED display will flash to indicate that the soundbar is in Bluetooth pairing mode. Ensure that the device you wish to connect is also in pairing mode and search for "**Blaupunkt Dolby**" in its device list. When the two devices are paired, the LED display on the soundbar will stop flashing and remain constant. (The soundbar will now automatically re-pair with this device whenever it is within range and has Bluetooth turned on.)

» **USB media mode:** The soundbar is compatible with USB flash drives of up to 64GB(Fat32 format) in size and can play MP3 and WAV audio files directly. Simply insert a compatible drive into the USB port on the back of the soundbar and the unit will automatically switch to USB mode and play the first compatible track. USB repeat mode (also accessed via the remote control) enables single track repeat (ONE), all track repeat (ALL) The media player also has a memory function that will recall and continue from the last-played point when a USB flash drive that has previously been used with the soundbar is reinserted.

» **Coaxial in:** Connect a compatible device to the COAX input on the soundbar using a coaxial cable (not supplied ). Select COAX mode pressing the MODE button on remote control and the soundbar control panel until COAX is displayed on the LED display , Ensure the connected device is producing an audio signal , then adjust the volume of soundbar using the Volume up and Volume down buttons on the remote control or soundbar control panel.

» **Equalizer modes:** The soundbar has 3 equalizer presets, tailored to complement various styles of music. Press the EQ button on the remote to choose between Music (EQ1), Movie(EQ2), News (EQ3).

## **WARRANTY INFORMATION 1 YEAR\***

If you have issue with product please contact our service center.

### **Authorized Service Center Blaupunkt Speakers**

Address: Envent World Wide Pvt Ltd Khasra No- 15/15 (4-16),  
Village Samalkha. Tehsil Vasant Vihar, New Delhi- 110037

E-Mail: [wecare@blaupunktaudio.in](mailto:wecare@blaupunktaudio.in) | Whatsapp only: 8860022600

Please prepare and submit the following information during the telephone or e-mail notification to facilitate the process:

- Serial number
- Data of purchase
- A copy of proof of purchase in case of warranty

### **Note- Important information:**

Please use the original packaging or other suitable packaging to protect the unit in transit.