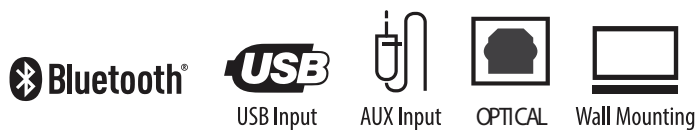




## Instruction Manual



*Enjoy it.*

## 2.1 WIRED SOUNDBAR

Bluetooth | USB | AUX-IN | Digital Optical

# Contents

---

Important Safety Instructions

---

Safety Instructions

---

Warning

---

Connecting from analogue inputs

---

Trouble shooting

---

# Important Safety Instructions



## Important Safety Instructions

### Caution:

To reduce the risk of electric shock, do not dismantle the product and do not expose the apparatus to rain or moisture. No user-serviceable parts inside. Refer servicing to qualified personnel only.

## Important Safety Instructions

### Caution:



The lightning flash within an equilateral triangle is intended to alert you to the presence of uninsulated dangerous voltage within the product's enclosure that may be of sufficient magnitude to constitute an electric shock to a person or persons.



Important! This symbol alerts you to read and observe important warnings and instructions on the unit or in this manual.

To achieve the utmost in enjoyment and performance, and in order to become familiar with its features, please read this manual carefully before attempting to operate this product. This will assure you years of trouble free performance and listening pleasure.

## Important Notes

- This sound bar was especially developed for LED/LCD/Plasma TV's: It should not be used in combination with CRT TV's (Cathode Ray Tube TV's) in order to avoid image interferences.
- Safety and operating instruction manual should be retained for future reference.
- The apparatus should not be exposed to dripping or splashing or placed in a humid atmosphere such as a bathroom.
- Do not install the product in the following areas:
  - Places exposed to direct sunlight or close to radiators.

## **Important Safety Instructions (Cont.)**

- Ontop of other stereo equipment that radiate too much heat.
- Blocking ventilation or in a dusty area.
- Areas where there is constant vibration.
- Humid or moist places.
- Do not place near candles or other naked flames.

Operate the product only as instructed in this manual.

Before turning on the power for the first time, make sure the power adaptor is properly connected.

For safety reasons, do not remove any covers or attempt to gain access to the inside of the product. Refer any servicing to qualified personnel.

Do not attempt to remove any screws, or open the casing of the unit; there are no user serviceable parts inside. Refer all servicing to qualified service personnel.

---

# Safety Instructions

1. **Read Instructions** - All the safety and operating instructions must be read before the product is operated.
2. **Retain Instructions** - The safety and operating instructions should be kept with the product for future reference.
3. **Heed warnings** - All warnings on the product and in the operating instructions should be adhered to.
4. **Follow instructions** - All operating and users' instructions should be followed.
5. **Installation** - Install in accordance with these instructions.
6. **Power sources** - This product should be operated only from the type of power source indicated by the marking adjacent to the power cord entry. If you are not sure of the type of power supply to your home, consult your product dealer or local power company.
7. **Grounding** - the product is not required to be grounded. Ensure that the plug is fully inserted into the wall outlet or extension cord receptacle to prevent blade or pin exposure.
8. **Power cord protection** - Power-supply cords should be routed so that they are not likely to be walked on, kinked or pinched by items placed on or against them, paying particular attention to cords from plugs, receptacles and the point where they exit from the product.
9. **Overloading** - Do not overload wall outlets, extension cords, or multiple sockets, as this can result in a risk of fire or electric shock.
10. **Ventilation** - The product must be properly ventilated. Do not place the product on a bed, sofa, or other similar surface. Do not cover the product with any items such as tablecloths, newspapers, etc.
11. **Heat** - The product should be situated away from heat sources such as radiators, heat registers, stoves, or other products, including amplifiers that produce heat. No naked flame sources, such as lighted candles, should be placed on the apparatus.
12. **Water and moisture** - To reduce the risk of fire or electric shock, do not expose the product to rain, dripping, splashing or excessive moisture such as in a sauna or bathroom. Do not use this product near water, for example, near a bathtub, washbowl, kitchen sink, laundry tub, in a wet basement or near a swimming pool (or similar).
13. **Object and Liquid Entry** - Never push objects of any kind into this product through openings, as they may touch dangerous voltage points or short-circuit parts that could result in a fire or electric shock. Never spill liquid of any kind on the product. Do not place any object containing liquid on top of the product.
14. **Cleaning** - Unplug the product from the wall outlet before cleaning. Dust in the woofer may be cleaned with a dry cloth. If you wish to use

---

## Safety Instructions (Cont.)

- an aerosol cleaning spray, do not spray directly on the cabinet; spray onto the cloth. Be careful not to damage the drive units.
15. **Attachments** - Do not use attachments not recommended by the product manufacturer, as they may cause hazards.
  16. **Accessories** - Do not place this product on an unstable cart, stand, tripod, bracket or table. The product may fall, causing serious injury to a child or adult, and serious damage to the product. Use only with a cart, stand, tripod, bracket or table recommended by the manufacturer or sold with the product. Any mounting of the product should follow the manufacturer's instructions and should use a mounting accessory recommended by the manufacturer.
  17. **Moving the product** - A product and cart combination should be moved with care. Quick stops, excessive force and uneven surfaces may cause the product and cart combination to overturn.
  18. **Unused periods** - The power cord of the appliance should be unplugged from the outlet during lightning storms or when the apparatus is left unused for a long period of time.
  19. **Servicing** - Do not attempt to service this product yourself, as opening or removing covers may expose you to dangerous voltage or other hazards. Refer all servicing to qualified service personnel.
  20. Please remove the power plug from the main power source or wall power source when not in use. When plugged in to a power source, the system is in standby mode, so the power is not entirely cut off.
  21. **Replacement parts** - When replacement parts are required, ensure that the service technician has used replacement parts specified by the manufacturer or have the same characteristics as the original part. Unauthorized substitutions may result in fire, electric shock or other hazards.
  22. **Mains fuses** - For continued protection against fire hazard, use fuses only of the correct type and rating. The correct fuse specification for each voltage range is marked on the product.
  23. Do not turn up the volume while listening to a section with very low level inputs or no audio signals. If you do, the speaker may be damaged when a peak level section is suddenly played.
  24. The only means of completely disconnecting the product from the power supply is by removing the power cord from the wall outlet or the product. The wall outlet or the power cord entry to the product must remain freely accessible at all times while the product is in use.

## Safety Instructions (Cont.)

25. Try to install the product near a wall socket or extension cord and shall be easily accessible.
26. The highest environmental temperature suitable for this product is 35°C.
27. **ESD hints** - If the product maybe reset or not reset to operation of control due to electrostatic discharge, just switch off and reconnect again, or move the product to another location.

## Warning

This appliance is not intended for use by persons (including children) with reduced physical sensory or mental capabilities, or lack of experience and knowledge, unless they have been given supervision or instruction concerning use of the appliance by a person responsible for their safety. Children should be supervised to ensure that they do not play with the appliance.

1. To prevent possible hearing damage, do not listen at high volume levels for long time periods or a sudden high volume level.



2. Never use the device unsupervised! Switch off the device whenever you are not using it, even if this only for a short while.
3. The appliance is not intended to be operated by means of an external timer or separate remote control system.
4. If the supply cord is damaged, it must be replaced by the manufacturer, its service agent or similarly qualified persons in order to avoid a hazard.
5. Before operating this system, check the voltage of this system to see if it is identical to the voltage of your local power supply.
6. The unit should not be impeded by covering the ventilation opening with items such as newspaper, table-cloths, curtains etc. Make sure that there are at least 20 cm of space above and at least 5 cm of space on each side of the unit.
7. The apparatus must not be exposed to dripping or splashing and that objects filled with liquids, such as vases, must not be placed on the apparatus.
8. To prevent fire or shock hazard, do not expose this equipment to hot places, rain, moisture or dust.
9. Do not locate this unit near any water sources e.g. taps, bathtubs, washing machines or swimming pools. Ensure that you place the unit on a dry, stable surface.
10. Do not place this unit close to a strong magnetic field.
11. Do not place the unit on a amplifier or receiver.
12. Do not place this unit in a damp area as the moisture will affect the life of electric components.
13. Do not attempt to clean the unit with chemical solvents as this might damage the finish. Wipe with a clean, dry or slightly damp cloth.
14. When removing the power plug from the wall outlet, always pull directly on the plug, never pull on the cord.
15. Depending on the electromagnetic waves used by a television broadcast, if a TV is turned on near this unit while it is also on, lines might appear on the TV screen. Neither this unit nor the TV is malfunctioning. If you

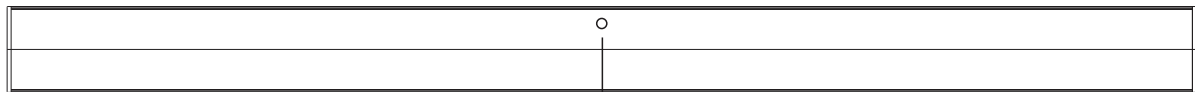


## Warning

see such lines, keep this unit well away from the TV set.

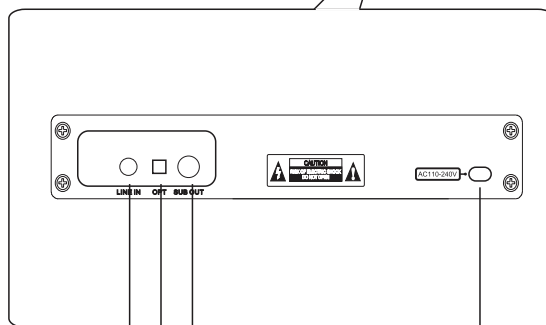
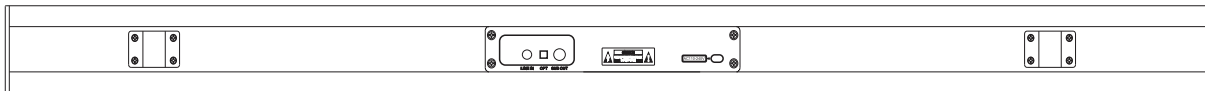
- 16.** The mains plug is used as the disconnect device, the disconnect device must remain readily operable.

# Controls and connections



1

MODES:  
BLUE COLOR (BLUETOOTH)  
GREEN COLOR (LINE IN)  
GREEN+BLUE COLOR (OPTICAL)  
PURPLE COLOR (USB)

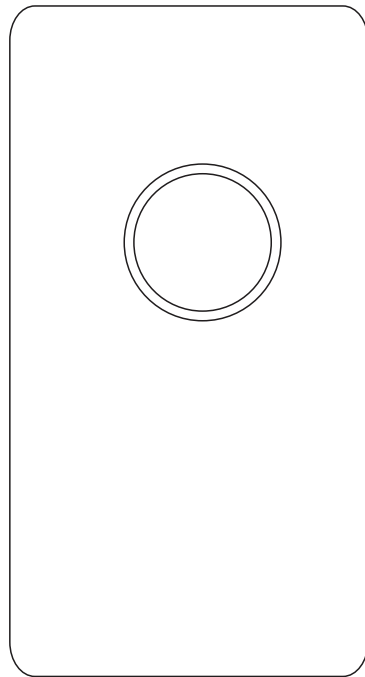
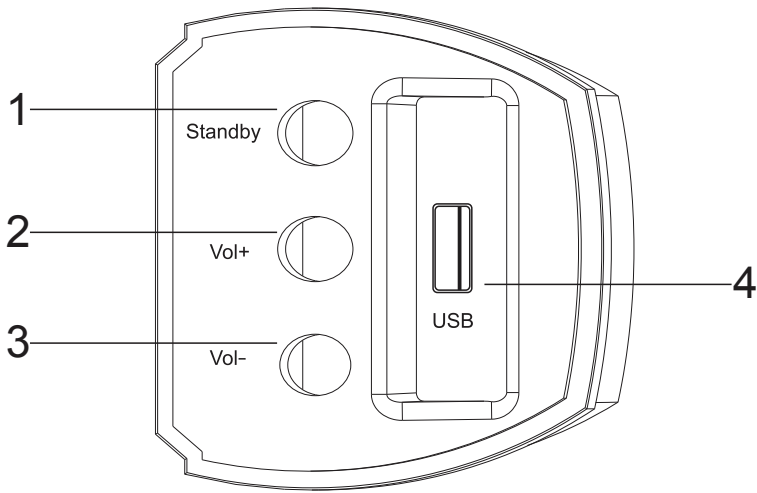


2 3 4

5

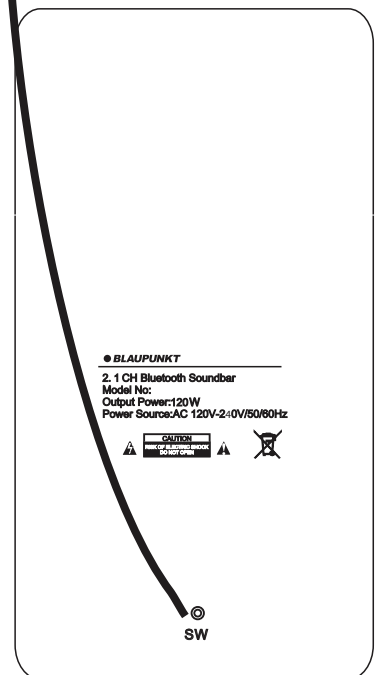
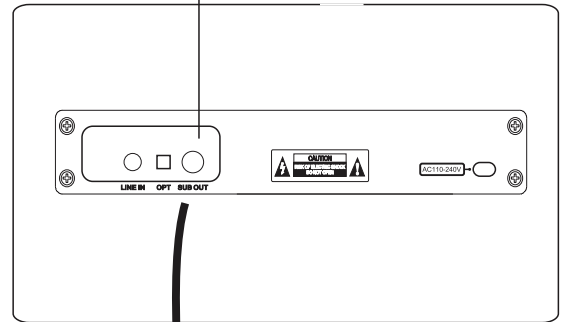
- 1.DISPLAY
- 2.LINE IN
- 3.OPTICAL
- 4.SUB OUT
- 5.AC IN

# Controls and connections



Front Panel

Connect Sub Woofer with Soundbar as shown in the picture below



Back Panel

- 1. Standby
- 2. Vol+
- 3. Vol-
- 4. USB

## LISTENING TO THE TV SOUND FROM THE SOUND BAR

Control the volume of TV by adjusting your sound bar

- 1 Turn on the soundbar, or make sure TV is in standby mode.
- 2 Turn on the TV.
- 3 Adjust the volume of the soundbar.

Control the volume of TV by adjusting the TV volume

If the sound output jack of the TV can be set to "Variable", the volume of the soundbar can be changed by adjusting the TV volume. For TV settings, refer to the operating instruction of the TV.

- 1 Set the sound output jack of the TV to "Variable".
- 2 Adjust the volume of the unit according to the TV.
- 3 Adjust the volume of the soundbar.

## BLUETOOTH PAIRING PROCESS

### BLUETOOTH

You can use a Bluetooth device to enjoy music with high quality stereo sound, all without wires!

#### What is Bluetooth?

Bluetooth is a technology that enables Bluetooth-compliant devices to interconnect easily with each other using a short wireless connection.

- A Bluetooth device may cause noise or malfunction, depending on usage, when:
  - A part of your body is in contact with the receiving/transmitting system of the Bluetooth device or the Sound Bar System.

- It is subject to electrical variation from obstructions caused by a wall, corner, or office partition.

- It is exposed to electrical interference from same frequency-band devices including medical equipment, microwave ovens, and wireless LANs.

- Pair the Sound Bar System with the Bluetooth device while they are close together.
- The further the distance is between Sound Bar System and Bluetooth device, the worse the quality is.  
If the distance exceeds the Bluetooth operational range, the connection is lost.

- In poor reception-sensitivity areas, the Bluetooth connection may not work properly.

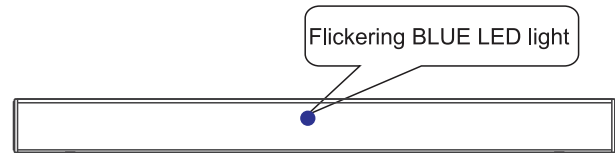
- The Bluetooth connection only works when it is close to the set. The connection will be automatically cut off if the Bluetooth device is out of range. Even within range, the sound quality may be degraded by obstacles such as walls or doors.

- This wireless device may cause electric interference during its operation.

Check if the Bluetooth device supports the Bluetooth compliant stereo headset function.

#### A. Pairing from control panel

1. Press the **SOURCE** button once, on the sound bar to display a flickering blue LED light on the sound bar.



2. The flickering blue LED light on the sound bar indicates the sound bar is in Bluetooth pairing mode.

3. Turn on your Bluetooth audio device to connect. Select the Bluetooth device name: "BLAUPUNKT-SBW" to connect.

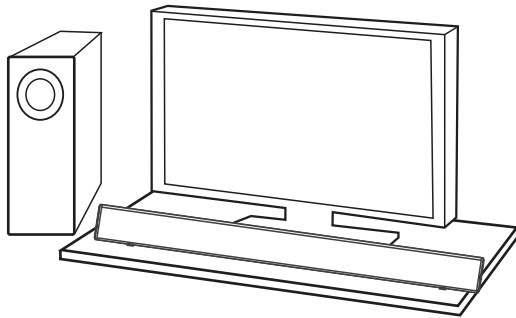
4. There is NO password required. After the "Beep" sound tone, the system is successfully connected.

5. Play music from the connected audio device. You will be able to listen to the music playing from your Bluetooth Audio Device through soundbar.

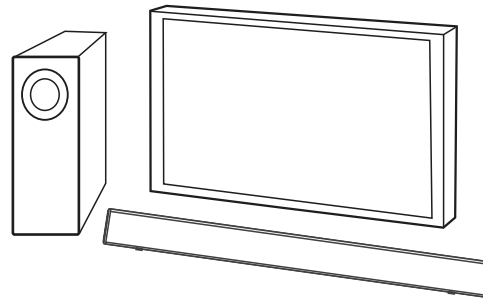
## WHERE TO LOCATE YOUR SOUND BAR FOR THE BEST SOUND

The soundbar comes with rubber feet already attached, so it will sit securely on any flat surface. Just center the bar under your TV screen. If your TV is housed in a media center, you can place the bar above the TV.

If your TV is wall mounted, the bar can mount right beneath it. The bar has built-in keyhole slots that make it easy.



Shelf mounted sound bar sits in front of TV

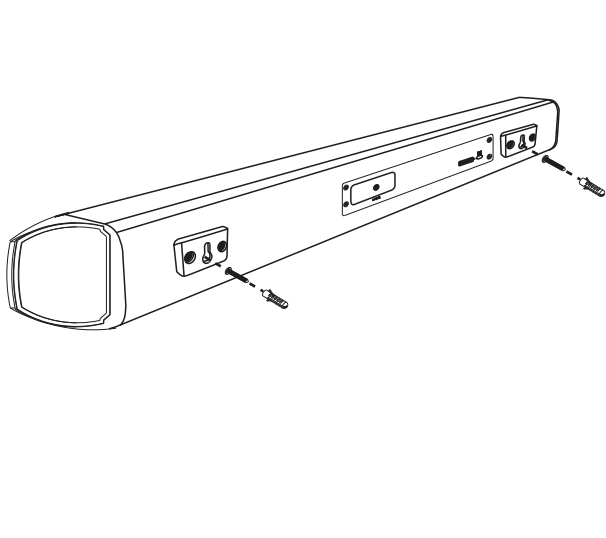


soundbar with wired subwoofer



## INSTALLING THE WALL MOUNT

Identify mounting location to the wall using supplied drywall screws. Attach one end first then pivot until it is level.



## INSTALLATION PRECAUTIONS

- Install on a vertical wall only.
- For the installation, avoid a location with high temperature or humidity, or a wall that cannot sustain the weight of the set.
- Check the strength of the wall. If the wall is not strong enough to support the unit, reinforce the wall or install the unit on different wall that can support the unit's weight.
- Purchase and use the fixing screws or molly appropriate for the kind of wall you have (plaster board, iron board, wood, etc.). If possible, fix the support screws into wall studs.
- Connect cables from the unit to external devices before you install it on the wall.
- Make sure the unit is turned off and unplugged before you install it. Otherwise, it may cause an electric shock.

# Trouble Shooting

## **No sound**

- Check that the Soundbar system is not set to standby.
- Check that the correct source is selected.

## **No sound/low volume**

### **(computer or personal audio player connected to the AUX jacks**

- If the source has a volume control, check that this is turned up.

## **No sound (digital audio source)**

- Check that the sample rate of the source is in the correct range for the soundbar system.

## Care and maintenance

### After using the soundbar system

- Set it to standby

### Care and cleaning

All care and cleaning operations should be carried out with the unit unplugged from the main power.

The surface of the unit can be cleaned with a barely damp cloth and then dried carefully. Never use abrasives, abrasive cloths or chemical solvents.

Loudspeaker grilles can be cleaned carefully with a soft brush.

## Specifications

Channel	-----2.1 ch
Supply	-----AC 120-240V/50~60Hz
Power Output	-----30Wx2+60W
Audio Input	-----AUX, OPTICAL, USB, BLUETOOTH

## WARRANTY INFORMATION 1 YEAR\*

If you have issue with our 2.1 Wired Soundbar product please contact our service center. Authorized Service Center Blaupunkt Speakers

Address: Envent World Wide Pvt. Ltd.,

Khasra No- 15/15 (4-16), Village Samalkha, Tehsil Vasant Vihar, New Delhi-110037

E-Mail: [wecare@blaupunktaudio.in](mailto:wecare@blaupunktaudio.in) | Tel: 1800 843 4333

Please prepare and submit the following information during the telephone or e-mail notification to facilitate the process:

- Serial number
- Date of purchase
- A copy of proof of purchase in case of warranty

Note - Important information:

Please use the original packaging or other suitable packaging to protect the unit in transit.