

**● BLAUPUNKT**

**Rock & Roll**

PS75

Bluetooth | USB | FM



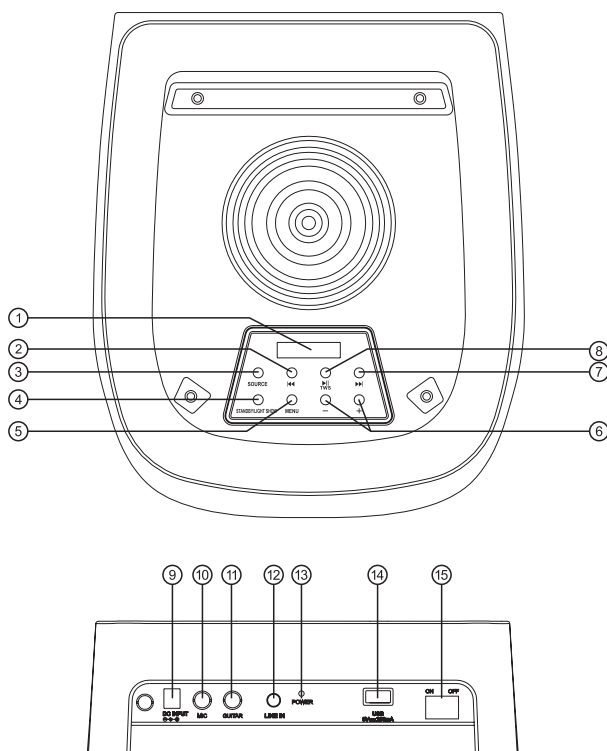
Operating Instructions

***Enjoy it.***

## Caution: Read this before operating your unit.

- 1 To assure the finest performance, please read this manual carefully. Keep it in a safe place for future reference.
- 2 Install this sound system in a well ventilated, cool, dry, clean place - away from direct sunlight, heat sources, vibration, dust, moisture, and/or cold. For proper ventilation, allow the following minimum clearances around this unit.  
Top: 10 cm (4 inch)  
Rear: 10 cm (4 inch)  
Sides: 10 cm (4 inch)
- 3 Locate this unit away from other electrical appliances, motors, or transformers to avoid humming sounds.
- 4 Do not expose this unit to sudden temperature changes from cold to hot, and do not locate this unit in an environment with high humidity (i.e. a room with a humidifier) to prevent condensation inside this unit, which may cause an electrical shock, fire, damage to this unit, and/or personal injury.
- 5 Avoid installing this unit where foreign object may fall onto this unit and/or this unit may be exposed to liquid dripping or splashing. On the top of this unit, do not place:  
Other components, as they may cause damage and/or discoloration on the surface of this unit.  
Burning objects (i.e. candles), as they may cause fire, damage to this unit, and/or personal injury.  
Containers with liquid in them, as they may fall and liquid may cause electrical shock to the user and/or damage to this unit.
- 6 Do not cover this unit with a newspaper, tablecloth, curtain, etc. in order not to obstruct heat radiation. If the temperature inside this unit rises, it may cause fire, damage to this unit, and/or personal injury.
- 7 Do not plug in this unit to a wall outlet until all connections are complete.
- 8 Do not operate this unit upside-down. It may overheat, possibly causing damage.
- 9 Do not use force on switches, knobs and/or cords.
- 10 When disconnecting the power cable from the wall outlet, grasp the plug; do not pull the cable.
- 11 Do not clean this unit with chemical solvents; this might damage the finish. Use a clean, dry cloth.
- 12 Only voltage specified on this unit must be used. Using this unit with a higher voltage than specified is dangerous and may cause fire, damage to this unit, and/or personal injury. We will not be held responsible for any damage resulting from use of this unit with a voltage other than specified.
- 13 To prevent damage by lightning, keep the power cable and outdoor antennas disconnected from a wall outlet or this unit during a lightning storm.
- 14 Do not attempt to modify or fix this unit. Contact Qualified service personnel when any service is needed. The cabinet should never be opened for any reasons .
- 15 When not planning to use this unit for long periods of time (i.e. vacation), disconnect the AC power plug from the wall outlet.
- 16 Be sure to read the TROUBLESHOOTING section on common operating errors before concluding that this unit is faulty.
- 17 Before moving this unit, disconnect the AC power plug from the wall outlet.
- 18 Condensation will form when the surrounding temperature changes suddenly. Disconnect the power cable from the outlet, then leave this unit alone.
- 19 When using this unit for a long time, this unit may become warm. Turn the power off, then leave this unit alone for cooling.
- 20 Install this unit near the AC outlet and where the AC power plug can be reached easily.
- 21 The batteries shall not be exposed to excessive heat such as sunshine, fire or the like. When you dispose of batteries, follow your regional regulations.
- 22 Excessive sound pressure from earphones and headphones can cause hearing loss.

## PANEL



1. LED DISPLAY : To Display speaker status.
2. ◀◀ : Press this key to goto previous track in USB/BT modes.
3. SOURCE : Press this key to change the sources between USB, BT, LINE
4. STANDBY/LIGHT SHOW : Press to Light Show mode, LED1,LED2,LED3,LED4,OFF. Press and hold for 1 second to Standby on or off
5. MENU :Press to MIC.VOL(guitar,microphone,Wireless microphone).
6. +/- : Press to decrease or increase the volume level. After pressing MENU, press +/- to adjust M.Vol, M.ECHO.
7. ▶▶ : Press this key to goto next track in USB/BT modes.
8. ▶▶/ TWS : Press to play or pause the music. BT mode Press and hold for 1 second to TWS (true wireless stereo) mode on or off.
9. DC INPUT : DC input socket
10. MIC : Connect to a microphone (not provided).
11. GUITAR : Connect to a guitar (not provided).
12. LINE IN : Connect to the analog audio output jacks of an analog device through RCA audio cable.
13. POWER light
14. USB : USB input socket
15. POWER SWITCH : Switch power on or off.

**Bluetooth pair and connect**

Turn off any Bluetooth devices previously paired (linked) with this unit.  
Turn on the Bluetooth features on your phone or music player.  
Turn on and set this unit to Bluetooth mode. The flashing blue light BT on LED display indicates it is in pairing mode.  
Set your phone or music player to search for Bluetooth devices.  
Select Bluetooth Name on your phone  
Select OK or YES to pair this unit with your phone or music player  
If protected, enter 0000 for passkey steady blue light indicates successful connection.

**TWS (True Wireless Stereo) mode**

- 1) Turn on speakers and select INPUT modes as Bluetooth.
- 2) Turn on the Bluetooth feature on your mobile phone to search for Bluetooth devices and select "BLAUPUNKT VOLCANO" from the search result. Select OK or YES to pair this unit with your mobile phone and a steady BT in display will indicate a successful connection. Once connected you can play music from your mobile phone.
- 3) Turn on another "BLAUPUNKT VOLCANO" if you have, and select Bluetooth mode. Press and hold "▶||" key on speaker set for 2 seconds and "L R" will be displayed.  
When the display light is "L R" or a tone is heard from another device, the TWS is established.  
( The "LEFT" channel will be the speaker unit of first default connection with Bluetooth devices, the other speaker connected with Bluetooth devices will be the "RIGHT" channel.)
- 4) Press "▶||" key on the speaker unit for 2 seconds . Turn off the TWS features when "L R" is displayed.

Note : Step 2 is normal BT cell phone connection ( no TWS )

**BATTERY**

In AC ( power) mode the battery will automatically charge. A slow red flashing light indicates that the battery is charging. When fully charged a green light will be displayed.

In DC ( battery) mode a green light indicates that the battery level is full. If the battery level is low a red light will be displayed. This indicates that the battery must immediately be charged or the speaker will turn off.

Accessories

Instruction Manual -----1 pc

Specification

Frequency Response -----20Hz-20KHz  
 Power Source -----100-240V~,60/50Hz  
 Power Consumption -----50W

■The specification presents only as a reference. The value of weight and size are approximation.  
 ■Our product is Improved ceaselessly and the specification and function may be changed without prior notice.

## **ATTENTION!**

Please be careful while listening to music. Blaupunkt has always ensured that every audio product is powerful and produces massive bass and other audio ranges. Please raise the volume levels slowly and do not play music at full volume levels as this could hurt your ears.

### 1 Year Warranty

If you have any issue with your product please contact our Authorized Customer Care team.

### **Blaupunkt Authorized Service Center:**

Envent World Wide Pvt Ltd.

Khasra. No- 15/15(4-16), Village Samalkha, Tehsil Vasant Vihar, New Delhi- 110037

**Email-** [wecare@blaupunktaudio.in](mailto:wecare@blaupunktaudio.in)

**Whatsapp Chat Support:** 8860 022 600

Please submit the following information while claiming product warranty:

-Serial Number

-Date of purchase

-A copy of proof of purchase in case of warranty

**Note-** If you do return the product, please use the original packaging or other suitable packaging to protect it in transit