

BLAUPUNKT

Rock & Roll

PS150



Operating Instructions

Enjoy it.

GENERAL SAFETY INSTRUCTIONS

When using electronic equipment, basic safety precautions must be followed, including the following:

WARNING: To reduce the risk of electric shock, fire or injury to persons:

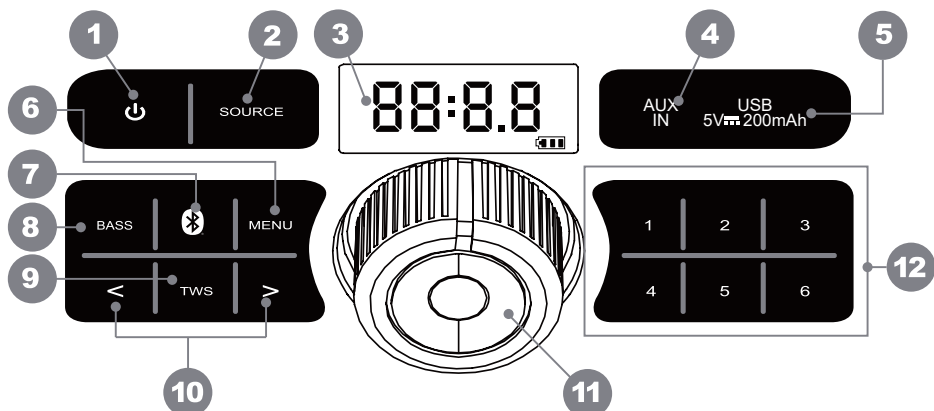
1. Read all instructions before using the unit.
2. Use this unit only for its intended use as described in this manual.
3. Do not operate this unit if it has a damaged cord or plug, is not working properly or has been damaged or dropped. If the supply cord is damaged, it must be replaced by the manufacturer or its service agent or a similarly qualified person in order to avoid a hazard.
4. **WARNING:** Do not allow children to use the unit without supervision.
5. **WARNING:** Liquids and foodstuffs must not be spilled or dropped into the unit.
6. **WARNING:** It is hazardous for anyone other than a trained person to carry out any service or repair operation.
7. This unit is not intended for use by persons (including children) with reduced physical, sensory or mental capabilities, or lack of experience and knowledge, unless they have been given supervision or instruction concerning use of the product by a person responsible for their safety.
8. Children must be supervised to ensure that they do not play with the unit.
9. Never leave the product unsupervised. Switch off the product when it is not in use, even if this is only for a short while.
10. The unit must be free-standing. It must not be placed in a cabinet.
11. The temperature of accessible surfaces may increase when the unit is operating.
12. This unit is not intended to be operated by means of an external timer or separate remote control.
13. If smoke is emitted, switch off and unplug the unit immediately.
14. **Cleaning:** Unplug this product from the wall outlet before cleaning. Do not use liquid cleaners or aerosol cleaners. Use a slightly dampened cloth for cleaning and immediately wipe dry.
15. **Attachments:** Use only attachments recommended by the manufacturer. Use of other attachments may be hazardous.
16. **Water and Moisture:** Do not use this product near water (e.g., near a bath tub, washbowl, kitchen sink, laundry tub, in wet basements, or near a swimming pool and the like).
17. **Ventilation:** Slots and openings in the cabinet are provided for ventilation to ensure reliable operation of the product and to protect it from overheating. These openings should never be blocked by placing the product on a bed, sofa, rug, or other similar surface. This product should not be placed in a built-in installation such as a bookcase or rack unless proper ventilation is provided.
18. This unit must not be exposed to dripping or splashing and objects filled with liquids, such as vases, must not be placed on the apparatus.
19. **Replacement parts:** When replacement parts are required, be sure that your service technician has used replacement parts specified by the manufacturer or that have the same characteristics as the original part. Unauthorized substitutions may result in fire, electric shock, or other hazards.
20. **Safety check:** Upon completion of any service or repairs to this product, ask the service technician to perform safety checks to ensure that the product is in proper operating condition.
21. **Overloading:** Do not overload wall outlets, extension cords, or integral convenience receptacles as this may cause a fire or an electric shock.
22. When the AC/ DC adapter is used as the disconnect device, the disconnect device must remain readily operable. To completely disconnect the power input, the AC/ DC adapter must be completely disconnected from the mains.

CAUTION: READ THIS BEFORE OPERATING YOUR UNIT

1. To assure the finest performance, please read this manual carefully. Keep it in a safe place for future reference.
2. Install this sound system in a well ventilated, cool, dry, clean place - away from direct sunlight, heat sources, vibration, dust, moisture, and/ or cold. For proper ventilation, allow the following minimum clearances around this unit:
Top: 10cm (4 inch), Rear: 10cm (4 inch), Side: 10cm (4 inch)
3. Locate this unit away from other electrical appliances, motors, or transformers to avoid humming sounds.
4. Do not expose this unit to sudden temperature changes from cold to hot. Do not locate this unit in an environment with high humidity (i.e. a room with a humidifier) to prevent condensation from forming inside the unit as this may cause an electrical shock, fire, damage to this unit, and/ or personal injury.
5. Avoid installing the unit where foreign objects may fall onto this unit or where the unit may be exposed to liquid dripping or splashing. Never place other components on top of this unit as this may discolour or damage the surface of this unit. Never place a candle on the unit as this may damage the unit or cause a fire. Never place a vase or other container with liquid on the unit as this may damage the unit or cause an electric shock.
6. Do not cover this unit with a newspaper, tablecloth, curtain, etc. If the temperature inside this unit rises, it may cause fire, damage to this unit, and/ or personal injury.
7. Do not plug in this unit to a wall outlet until all connections are complete.
8. Do not operate this unit upside down as this may cause the unit to overheat.
9. Do not use force on switches, knobs and/ or cords.
10. When disconnecting the power cable from the wall outlet, grasp the plug; do not pull the cable.
11. Do not clean this unit with chemical solvents as this may damage the finish. Use a clean, dry cloth.
12. Only voltage as specified on this unit may be used. Using this unit with a higher voltage than specified is dangerous and may cause fire, damage to this unit, and/ or personal injury. We will not held responsible for any damage caused by using this unit with a voltage other than specified.
13. To prevent damage by lightning, keep the power cable and outdoor antennas disconnected from the wall outlet or this unit during a lightning storm.
14. Do not attempt to modify or fix this unit. Contact an authorised service centre when any service is needed. The cabinet should never be opened for any reasons.
15. When not planning to use this unit for long periods of time (i.e. vacation), disconnect the AC power plug from the wall outlet.
16. Before moving this unit, disconnect the AV power plug from the wall outlet.
17. Condensation will form when the surrounding temperature changes suddenly. Disconnect the power cable from the outlet and allow the unit to dry out before attempting to use it again.
18. When using this unit for a long time, this unit may become warm. Turn the power off, then leave this unit alone to cool down.
19. Install this unit near the AC outlet and where the AC power plug can be reached easily.
20. The batteries must not be exposed to excessive heat such as sunshine, fire or the like. When you dispose of batteries, follow your regional regulations.
21. Excessive sound pressure from earphones and headphones can cause hearing loss.

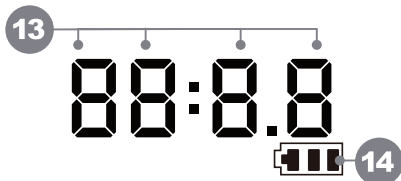
PRODUCT CONTROLS

FRONT CONTROL PANEL



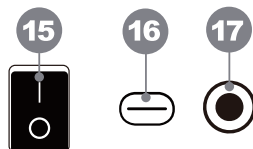
- | | | | |
|----------------------|----------|------------------------------|-----------|
| Standby Button | 1 | Bluetooth® Button | 7 |
| Source Button | 2 | X. BASS Button | 8 |
| LED Display | 3 | TWS Button | 9 |
| AUX-in Port | 4 | Previous & Next Button | 10 |
| USB..... | 5 | Volume Knob | 11 |
| MENU Button | 6 | Number Buttons | 12 |

LED DISPLAY



- | | |
|-----------------------------|-----------|
| Seven-Segment Display | 13 |
| Battery Indicator | 14 |

BACK PANEL PORTS & CONTROLS



- | | |
|-----------------------------|-----------|
| Power (On/Off) Switch | 15 |
| USB-C™ Charging Port | 16 |
| ¼" Microphone Input | 17 |

POWER & BATTERY

IMPORTANT: Before first use, charge for 6 hours.

Charging: Connect the USB-C™ port to an external power source using the included power adapter.

FULL CHARGE: Achieved in 6 hours while powered OFF and 12 hours while powered ON.

Power: Rock the switch to the up/ON position to power up the speaker, “bt” will appear on the LED display. Set the switch to the down/OFF position to turn off the unit.

Battery: The battery indicator found on the LED display will show the current charge of the speaker’s internal battery in one of three levels: full > mid > low



AUDIO

Bluetooth® Pairing: Place your Bluetooth® enabled device within 3 feet of the speaker. Press the Bluetooth® button to set the speaker to Bluetooth® pairing mode. The speaker will audible and visual confirmation, the LED display will show "bt."

Select Bluetooth Name on your phone. The speaker will make an audible confirmation when paired,
"Connected." (*30 feet max connection range*)

PLAY/PAUSE: Press the Bluetooth® (📶) button.

TWS (True Wireless System): Place two compatible units within 10 feet of each other.

Connect one of the speakers to your Bluetooth® enabled device while leaving the second speaker in Bluetooth® mode without pairing.
(*See Bluetooth® Pairing above*)

Press the TWS pairing button on the transmitter speaker for 3 seconds to activate TWS pairing. The Speakers will automatically connect with each other. The speaker will make audible confirmations when connected, "Synchronized."

DISCONNECT: Press the TWS button of either speaker.

AUX-in: Connect an audio device to the AUX-in port with a standard 3.5mm jack. The speaker will automatically change to AUX mode, making an audible and visual confirmation. The LED display will show "AUX."

AUDIO CONTINUED

FM Radio: Press the SOURCE button to change the speaker to FM Radio. The LED display will recall and show the last station the speaker was set to.

Press one of the Previous and Next buttons to change the radio frequency. Hold the buttons to scan for stations.

SAVE STATIONS: While on the desired frequency press and hold one of the number (1-6) button, the LED display will confirm that the station has been saved by displaying “P-#” (*example: P1*). Recall the station by pressing the corresponding number button (1-6) it was saved to.

Bass/Treble Adjustment: Press the MENU button to cycle to the bass level mode, the LED display will show “b ##.” Turn the VOLUME knob clockwise to increase the level or counter-clockwise to decrease it, the LED display will show a range of (-06 to 06).

¼" Microphone Input: When a microphone is connected the audio will be transmitted in all modes.

Press the MENU button to cycle through and select the microphone volume or microphone echo level. Use the VOLUME knob to increase the effect by turning it clockwise and counter-clockwise to decrease it.

Equalizer Presets: There are 6 equalizer presets that can be used in Bluetooth® or AUX modes ONLY.

Press a number button to set the equalizer preset, the LED Display will show “E-#.” (*example: E-1*). 1=Flat, 2=Jazz, 3=Classic, 4=Rock, 5=Pop, and 6= Normal

Standby Mode: Standby is available in all audio modes. Press the STANDBY (⏻) button to set the speaker to standby mode. Press it again to wake up the speaker.

The speaker will automatically enter standby mode after 15 minutes of inactivity or lack of connection.

TRANSPORT

Telescoping Handle: Press the button located at the top of the grip handle and pull up to extend it. Collapse the handle by pressing the handle button and pushing it down.

IPX4 Rated: Water-resistant for outdoor use.

NOTE: Unit is **NOT WATERPROOF**.

SPECIFICATIONS

Bluetooth® Version	5.3
Power Input	5V/3A
Speaker Drivers	8" Driver + 1" Tweeter
THD + Noise	<10%
Cabinet Material	Plastic
Dimensions (L x W x H) Inches	14.4" x 10.8" x 17.7"
Dimensions (L x W x H) mm	365 x 275 x 450
Weight (lbs. / kg)	18.3 lbs. /8.3 kg

ATTENTION!

Please be careful while listening to music. Blaupunkt has always ensured that every audio product is powerful and produces massive bass and other audio ranges. Please raise the volume levels slowly and do not play music at full volume levels as this could hurt your ears.

1 Year Warranty

If you have any issue with your product please contact our Authorized Customer Care team.

Blaupunkt Authorized Service Center:

Envent World Wide Pvt Ltd.

Khasra. No- 15/15(4-16), Village Samalkha, Tehsil Vasant Vihar, New Delhi-110037

Email- wecare@blaupunktaudio.in

Whatsapp Chat Support: 8860 022 600

Please submit the following information while claiming product warranty:

-Serial Number

-Date of purchase

-A copy of proof of purchase in case of warranty

Note- If you do return the product, please use the original packaging or other suitable packaging to protect it in transit