

**BLAUPUNKT**



# 5.1 CH DOLBY SOUNDBAR

(WITH SUBWOOFER & REAR SPEAKERS)

*Enjoy it.*

# SAFETY & WARNINGS

## Caution

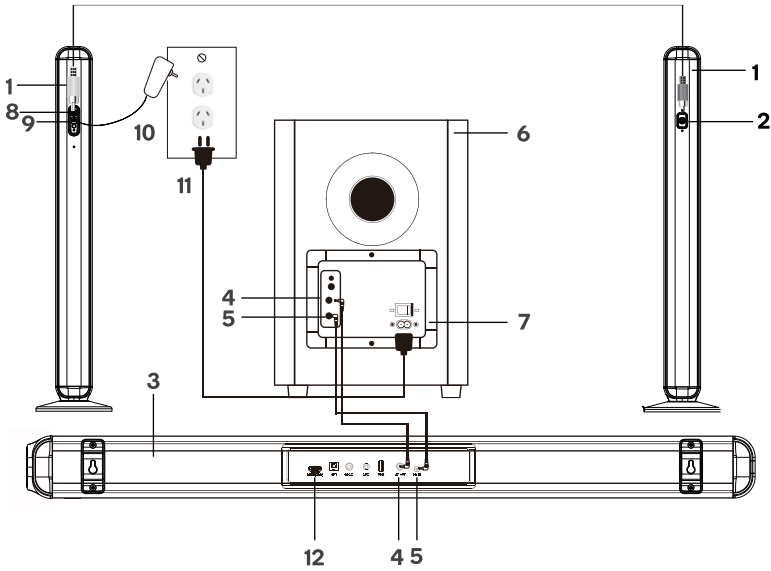
To reduce the risk of electric shock, do not dismantle the product and do not expose the apparatus to rain or moisture. No user-serviceable parts inside.

- Read the safety, installation, and operating instructions in this user guide before operating the product.
- Power and speaker wires should be routed so that they are not likely to be walked on, kicked, or pressed by items placed on or against them. Pay special attention to cords from plugs, power receptacles and the point where they exit from the product.
- The product should be situated away from heat sources such as radiators, stoves, or other products, including amplifiers that produce heat. Naked flames such as lighted candles, should not be placed on this product.
- To reduce the risk of fire or electric shock, do not expose the product to dripping, splashing or excessive moisture such as in a sauna or bathroom. Do not use this product near water, for example, near a bathtub, washbowl, kitchen sink, laundry tub, in a wet basement or near a swimming pool (or similar).
- Never insert objects into this product through openings, as they may touch dangerous voltage points or short-circuit parts that could result in a fire or electric shock.
- Do not use attachments or accessories not included with this product.
  
- Do not place this product on an unstable cart, stand, tripod, bracket, or table. The product may fall, causing serious injury and serious damage to the product. Any mounting of the product should follow the instructions in this user guide.
  
- Do not attempt to service this product yourself, as opening or removing covers may expose you to potentially dangerous voltage or other hazards. Refer all servicing and repairs to qualified service personnel.

# COMPONENTS LIST

- Soundbar
- Rear speaker (x2)
- Wired Subwoofer
- Remote Control
- Power cable
- DC-DC cable
- Speaker connecting cable (x2)
- AC-DC Power Adaptor
- AUX Cable
- Wall-Mount Kit
- Satellite pedestal

# OVERVIEW



- |  |  |
|--|--|
| <b>1</b> Rear speakers                   | <b>7</b> Power input (subwoofer)       |
| <b>2</b> RS input                        | <b>8</b> RS output                     |
| <b>3</b> Soundbar                        | <b>9</b> Power input (Rear speaker)    |
| <b>4</b> Subwoofer input (from Soundbar) | <b>10</b> Power adaptor (Rear speaker) |
| <b>5</b> 24V Output (to Soundbar)        | <b>11</b> Power cord (subwoofer)       |
| <b>6</b> Subwoofer                       | <b>12</b> Soundbar ports               |

## Soundbar Ports



HDMI  
(ARC)



OPT



COAX



AUX



USB



SW OUT



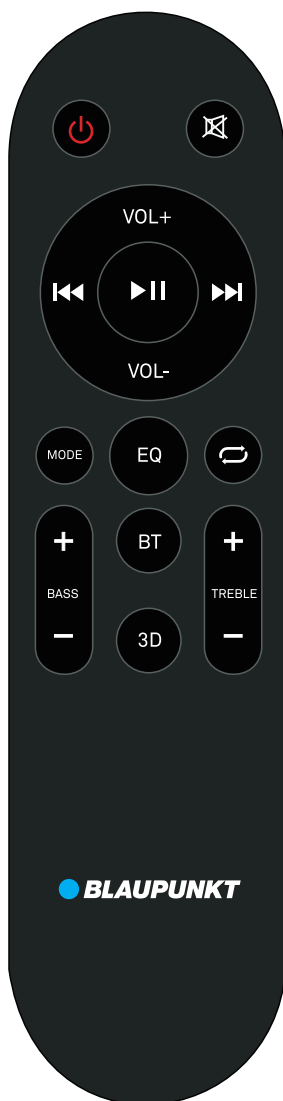
DC IN







1	HDMI(ARC)	Use to connect compatible devices using a HDMI cable (not provided).
2	OPTICAL IN	Use to connect compatible devices using an optical cable (not provided).
3	COAXIAL	Use to connect compatible devices using the coaxial cable (not provided).
4	AUX IN	Use to connect compatible devices using the 3.5mm – 3.5mm stereo jack cable (provided).
5	USB IN	Use to connect a flash drive for direct MP3 playback (FAT32 format and 64GB max).
6	SW OUT	Use to connect the subwoofer.
7	DC IN	Use to connect the DC output jack of subwoofer.

## LED display

1	RED LED	Standby mode	5	OPT	Optical mode
2	BT	Bluetooth mode	6	ARC	HDMI(ARC)mode
3	USB	USB media mode	7	COA	Coaxial mode
4	AUX	Auxiliary input mode			

## Remote Control



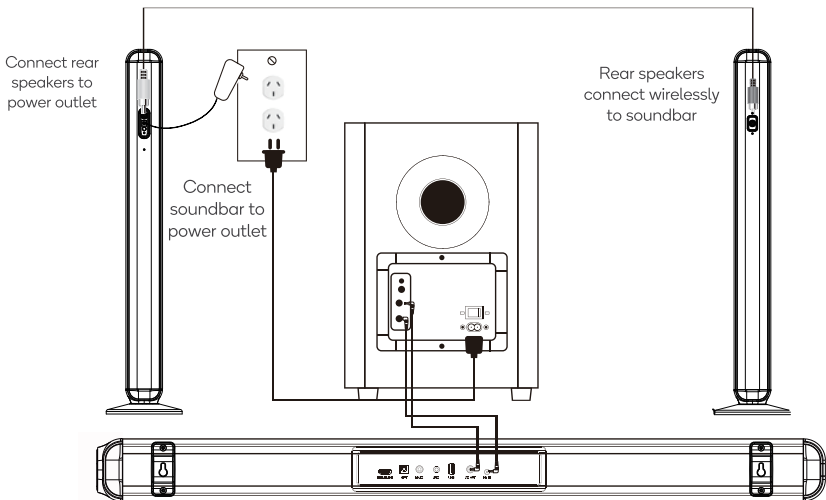
<b>Button</b>	<b>Function</b>
	Power on/off
	Mute or Unmute
VOL+	Increase volume
VOL-	Decrease volume
	Previous track
	Pause/Play
	Next track
BT	Long press to disconnect BT/ reconnect BT
EQ	Change equalizer settings
	USB repeat mode
TREBLE+	Increase the Treble
TREBLE-	Decrease the Treble
BASS+	Increase the Bass
BASS-	Decrease the Bass
3D	3D surround sound on/off
MODE	Change the input source

# INSTALLATION

## Connecting the Rear Speakers to the Soundbar

- Connect the power adaptors to the Subwoofer and Rear speakers. Plug both adaptors into a power outlet.
- The red LED on the back of the rear speaker will flash.
- Press and hold the pair button on the rear speaker, the red LED will blink rapidly.
- Then press and hold the Play/Pause button on the remote control, 'pair' will show on the soundbar display.
- After a few seconds, the soundbar will connect to the wireless rear speakers automatically.
- Once pairing is successful, the red LED on the rear speaker will illuminate.
- Pairing does not need to be done again.
- Every time the unit is switched on, the soundbar and wireless rear speaker will connect automatically.

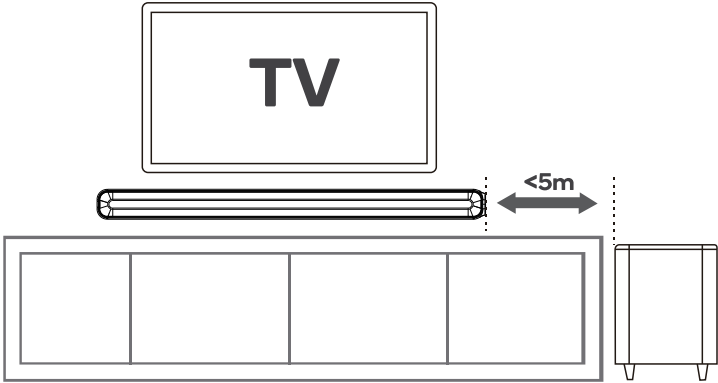
Connect rear speakers together  
using the speaker cable



Connect subwoofer to sound bar  
using the speaker and power cables



## Placing the soundbar on an entertainment unit

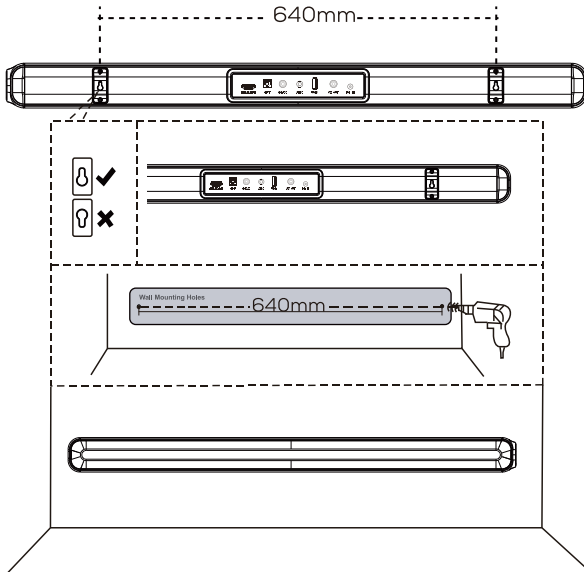


If your TV is placed on an entertainment unit, you can place the soundbar directly in front of the TV stand, centred with the TV screen. If the surface of the table is flat, the soundbar will rest on its metal feet.

## Wall mounting the Soundbar

This soundbar can be mounted on your wall. Follow the instructions below:

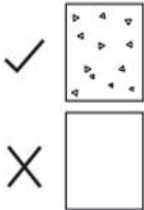
**Note:** If you aren't confident in mounting this product yourself, please seek advice from a qualified trades person.



- 1. Mark and drill two parallel holes, 720mm apart on the wall. Secure the supplied anchors and screws into the holes. Ensure the screws are protruding 5mm from the wall.

**Note:** Anchors are only required when mounting onto a solid wall.

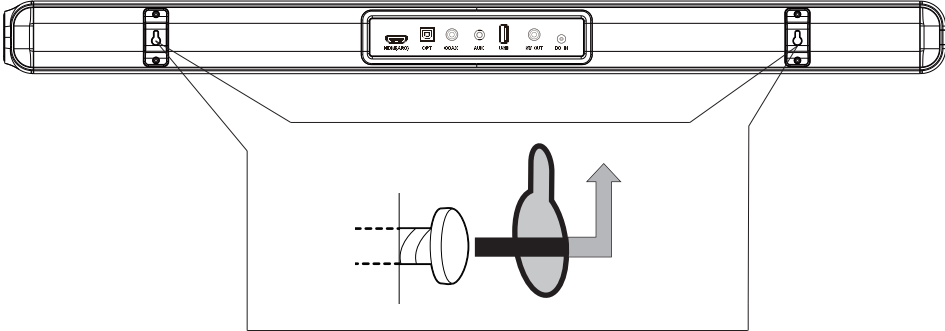
Anchor



Solid wall (i.e., solid brick, solid concrete, solid wood)

Drywall, plastered wall ect.

- 2. Hang the Soundbar on the fastening screws.
- 3. Gently push the Soundbar in a downward direction to lock and secure in place.



# OPERATION

## Power on/off

Press the Power on/off button on the remote control or soundbar control panel to turn the unit on or switch it off.

## HDMI (ARC)

Connect an HDMI ARC compatible device to the HDMI(ARC) port on the soundbar by a HDMI cable (not supplied). Select HDMI(ARC) mode either by pressing the ARC button on remote control or repeatedly pressing the MODE button on the soundbar control panel until ARC display on the LED screen.

Ensure HDMI ARC is selected as the TV's audio output, then adjust the volume of soundbar by the Volume up and Volume down buttons on the remote control or soundbar control panel.

## AUX in

Connect a compatible device using a 3.5mm stereo jack cable (provided). Select AUX mode either by pressing the AUX button on remote control or repeatedly pressing the MODE button on the soundbar control panel until AUX display on the LED screen.

Ensure the connected device is producing audio signal, then adjust the volume of soundbar by pressing the Volume up and Volume down buttons on the remote control or soundbar control panel.

## Optical in

Connect a compatible device to the OPTICAL input on the soundbar by a digital optical cable (not supplied). Select OPT mode either by pressing the OPT button on remote control or repeatedly pressing the MODE button on the soundbar control panel until OPT display on the LED screen.

Ensure Optical SPDIF is selected as the TV's audio output, then adjust the volume of the soundbar by pressing the Volume up and Volume down buttons on the remote control or soundbar control panel.

## **Bluetooth**

Press the BT button on the remote control or repeatedly pressing the MODE button on the soundbar control panel until BT display on the LED screen. The LED display will flash to indicate that the soundbar is in Bluetooth pairing mode.

Ensure that the device you wish to connect is also in pairing mode and search for **Blaupunkt 5.1 Dolby** in its device list. The LED display on the soundbar will stop flashing and remain constant when the two devices pair. (The soundbar will now automatically re-pair with this device whenever it is within range and has Bluetooth turned on.) Once paired, the remote control can be used to play, pause and navigate between tracks on compatible iOS and Android devices.

## **USB mode**

The soundbar is compatible with USB flash drives up to 64GB in size and can play MP3 and WAV audio files directly. Simply insert a compatible drive into the USB port on the back of the soundbar and the soundbar will automatically switch to USB mode and play the first compatible track. The media controls on the remote control can be used to play, pause and navigate between tracks on the flash drive and the LED display will indicate the current track time.

USB repeat mode (also accessed via the remote control) enables single track repeat (ONE), all track repeat (ALL). The media player also has a memory function that will recall and continue from the last-played point when a USB flash drive that has previously been used with the soundbar is reinserted.

## **Equalizer modes**

The soundbar has 3 equalizer pre-sets, tailored to complement various styles of music. Press the EQ button on the remote to choose between Music (EQ1), Movie (EQ2), News (EQ3).

## **WARRANTY INFORMATION 1 YEAR\***

If you have issue with product please contact our service center.

### **Authorized Service Center Blaupunkt Speakers**

Address: Envent World Wide Pvt Ltd Khasra No- 15/15 (4-16),  
Village Samalkha. Tehsil Vasant Vihar, New Delhi- 110037  
E-Mail: [wecare@blaupunktaudio.in](mailto:wecare@blaupunktaudio.in) | Tel: 1800 843 4333

Please prepare and submit the following information during the telephone or e-mail notification to facilitate the process:

- Serial number
- Data of purchase
- A copy of proof of purchase in case of warranty

### **Note- Important information:**

Please use the original packaging or other suitable packaging to protect the unit in transit.