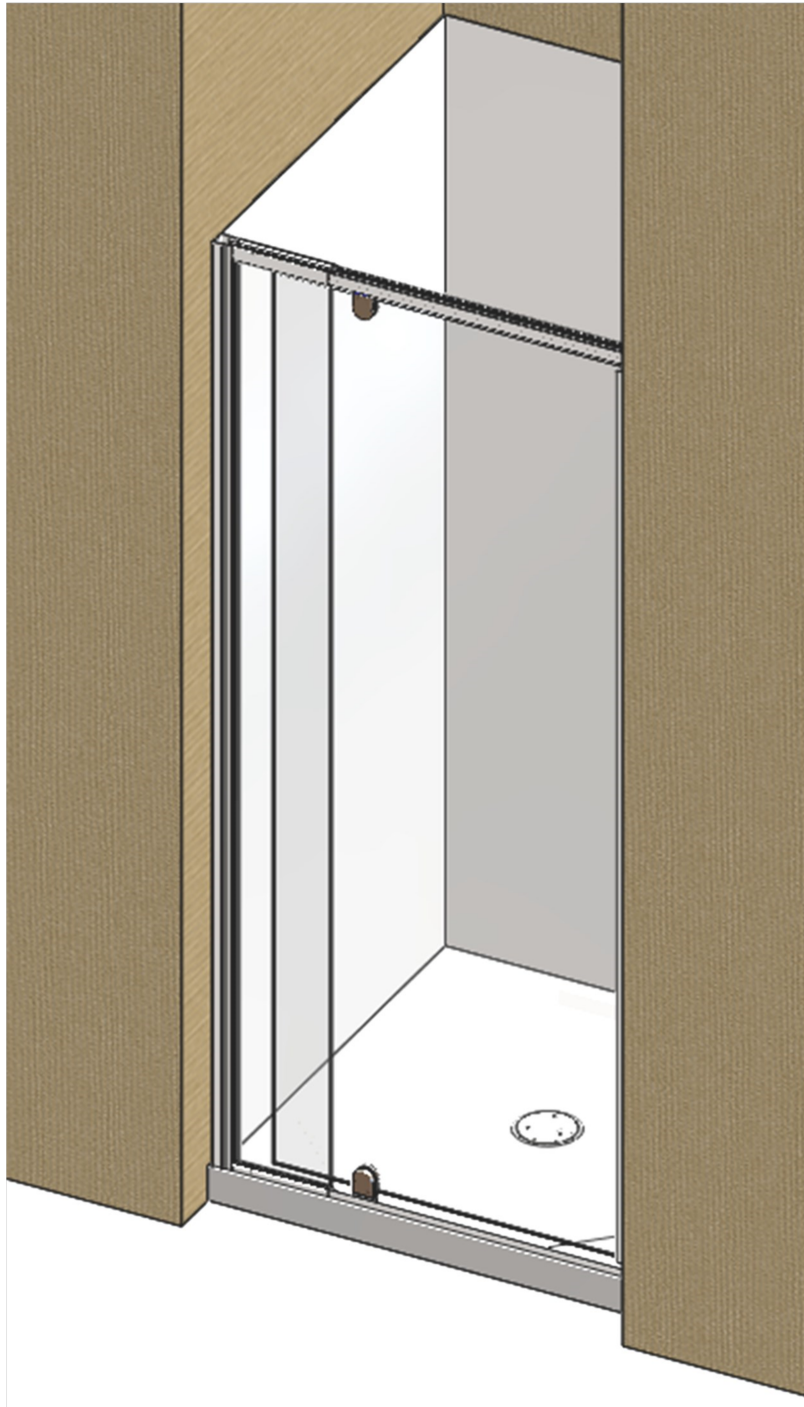




Installation Instructions

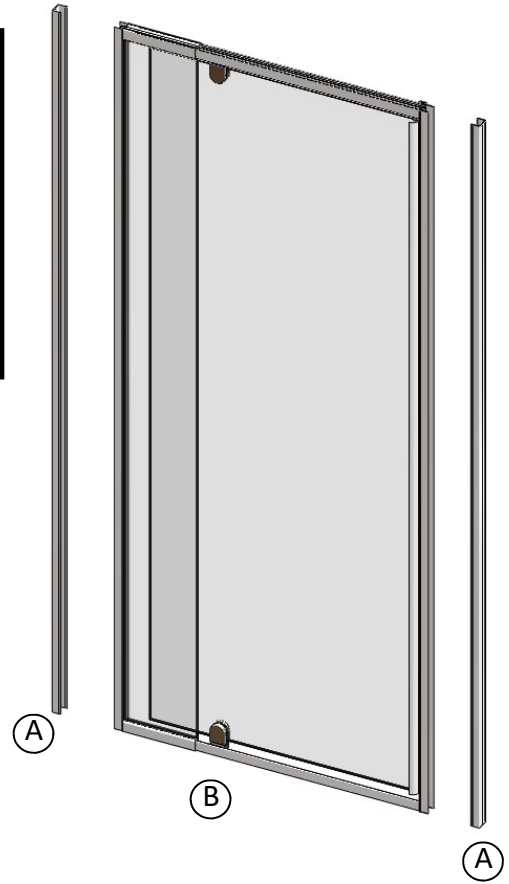
Trombone Shower Door Set



Please read these Instructions carefully

November 2023

Size	Minimum Door Width	Maximum Door Width
P640	640mm	700mm
P700	700mm	760mm
P760	760mm	840mm
P840	840mm	940mm
P940	940mm	1000mm



Components

A - Door Wall Receiver x 2

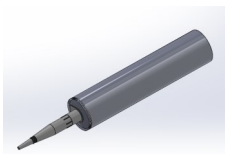
B - Door Assembly

(For shipping purposes the Door & Return Receivers are packed in the sides of the Door and Return)

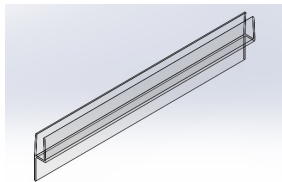
Tools Required

- Drill
- Spirit level
- Tape Measure
- Screw Driver (No.1 Sq drive)
- Caulking Gun
- Masking tape
- Pencil

Installation Components



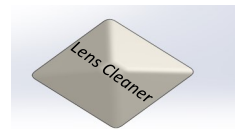
Tube of NG Silicone



Drip Seal –1m



No.6 x 38mm screw
Qty 6



Cleaning Towelette



Screw Cap
Qty 8



No.6 x 10mm screw
Qty 8

The Door may be installed either left or right hand hinged by simply rotating 180 degrees.

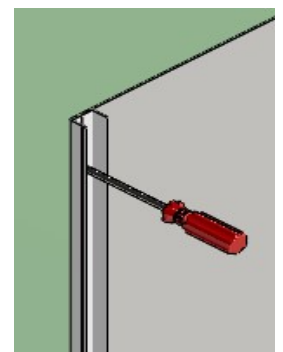
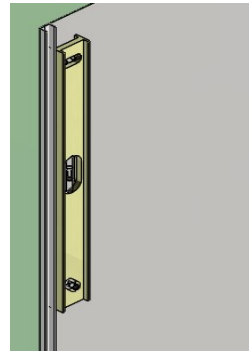
Important : The Door must always open outwards

Before commencing partially remove the clear protective film from the edges of the wall liner where the Wall receivers will be fitted. Keep the remaining film in place until the installation is complete

Installing a Door Only

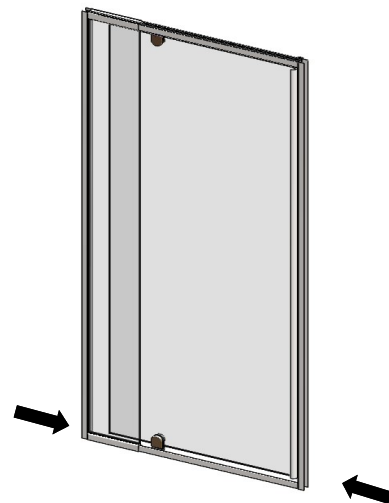
Installing the Wall Receivers

1. Pre drill three equally spaced clearance holes (i.e. top, bottom and centre) in the Wall Receivers using a 4.0mm drill bit.
2. Position one of the Door Wall Receiver hard against the inside edge of the tray upstand. If installing on to a tray without front upstands place the Wall Receiver 10mm in from the front edge of the tray.
3. Drill into the wall through the clearance holes using a 3.0mm drill bit. N.B. The holes preferably locate into a stud or nog. As an alternative, a toggle system can also be used.
4. Apply Silicone into the screw holes and secure the Wall Receivers to the walls using the No.6 x 38mm stainless steel screws.
5. Repeat for the opposite side

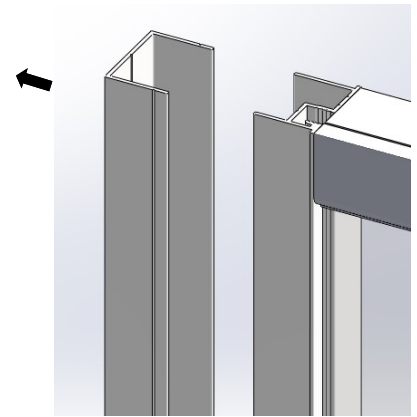


Installing the Door

6. Slide the door assembly together so it is narrower than the opening.

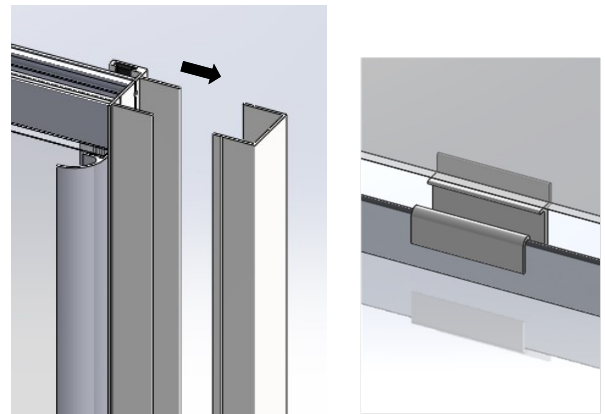


7. Determine which side the Door is to be hinged ensuring that the door opens outwards. Lift the Door onto the tray and insert Door opening side into the Wall Receiver.



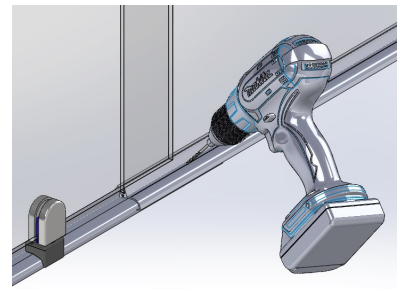
6. Expand the Door out so it fully engages into the opposite Wall Receiver. Check that the Door Jamb are plumb

Do not remove the door setting block, this will assist in supporting the door during installation and setting the correct clearance from the sill

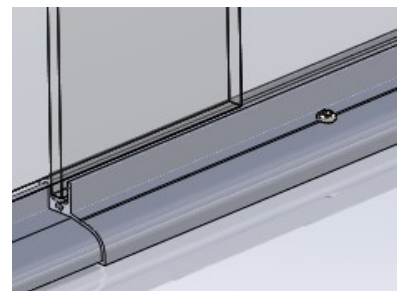


Secure the head and Sills

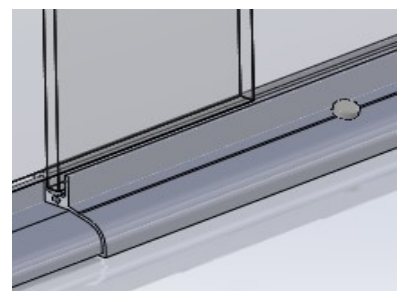
7. From the inside drill a 3.0mm hole approximately 25mm in from the end of the Female Head and Sill sections and into the Male Head and Sill sections. Repeat for the top sills



8. Secure the sections together using No.6 x 10 Stainless steel screws.

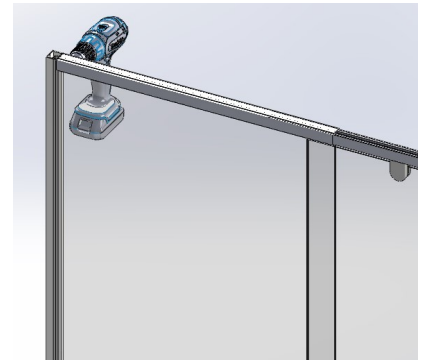


9. Cover the screws heads with the cover caps.

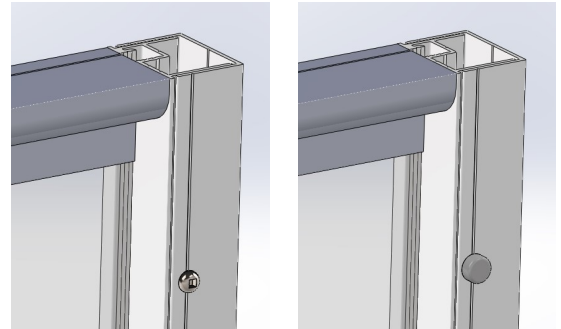


Securing the Door Set

10. From the inside of the shower fix the Door to the Wall Receivers by drilling three 3mm holes down the Wall Receivers (top, bottom and centre). Drill through the Wall Receivers into the Door Jamb profiles.



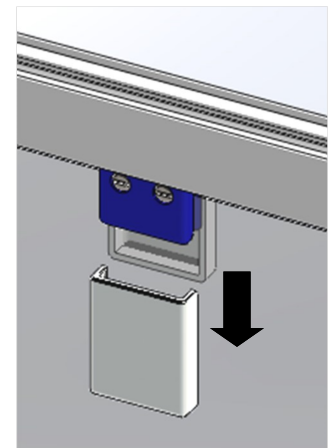
11. Secure in place using No.6 x 10mm stainless steel screws. Cover the screw heads with the cover caps. Repeat for opposite side.



Adjust the Door

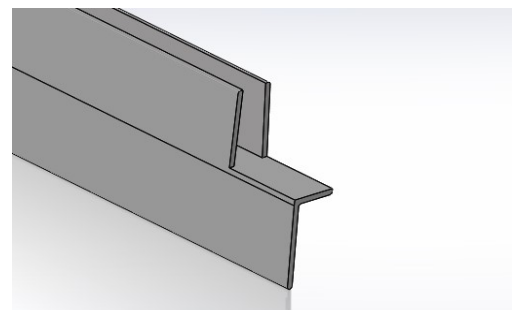
12. Slide the outside Clamp Block Covers off the Pivot Clamp. Using a Phillips head screwdriver sufficiently loosen the two screws, adjust the door by sliding left or right in the pivot

Once the door adjustment is complete ensure the screws are retightened and reinstall the Clamp Block Covers. Open the door and remove the door setting block

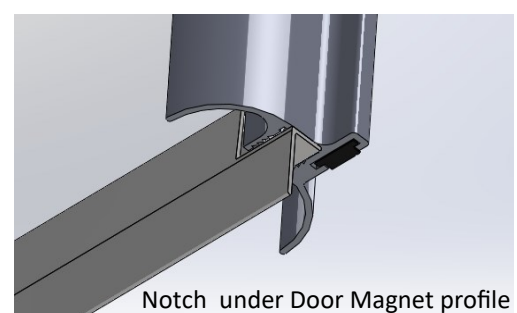


Fit the Drip Seal

13 The Drip seal is supplied in a 1m length, this will need to be cut to the desired lengths for each side of the pivot. The opening side Drip seal will also need to be notched to fit under the door magnet profile. Make the Notch 13mm in length and finishing down to the horizontal ledge of the drip seal

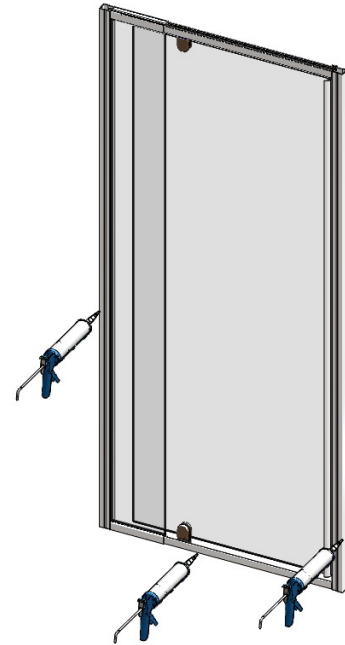
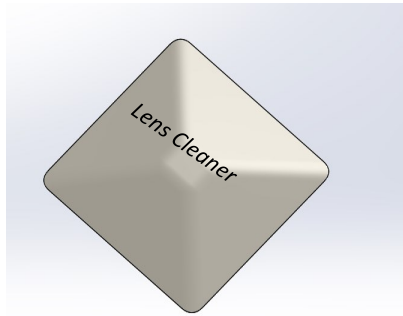


14. Fit the drip seals to the glass door



Notch under Door Magnet profile

Sealing the Door set



15. Take the Cleaning Towelette and wipe the surfaces of the Powder coated profiles where Silicone will be applied Allow to dry (1-2 minutes)

16. The Door can now be sealed in place using silicone sealant. Ensure all surfaces are first cleaned with dry clean cloth. Seal between the tray upstand and the Door set along the bottom outside edges. Seal vertically between the Wall Receivers and Wall Liner

17. Your Door set is now complete

Note MASKING the area to be Sealed will give you a superior finish

IMPORTANT: DO NOT apply sealant to the inside of the shower

