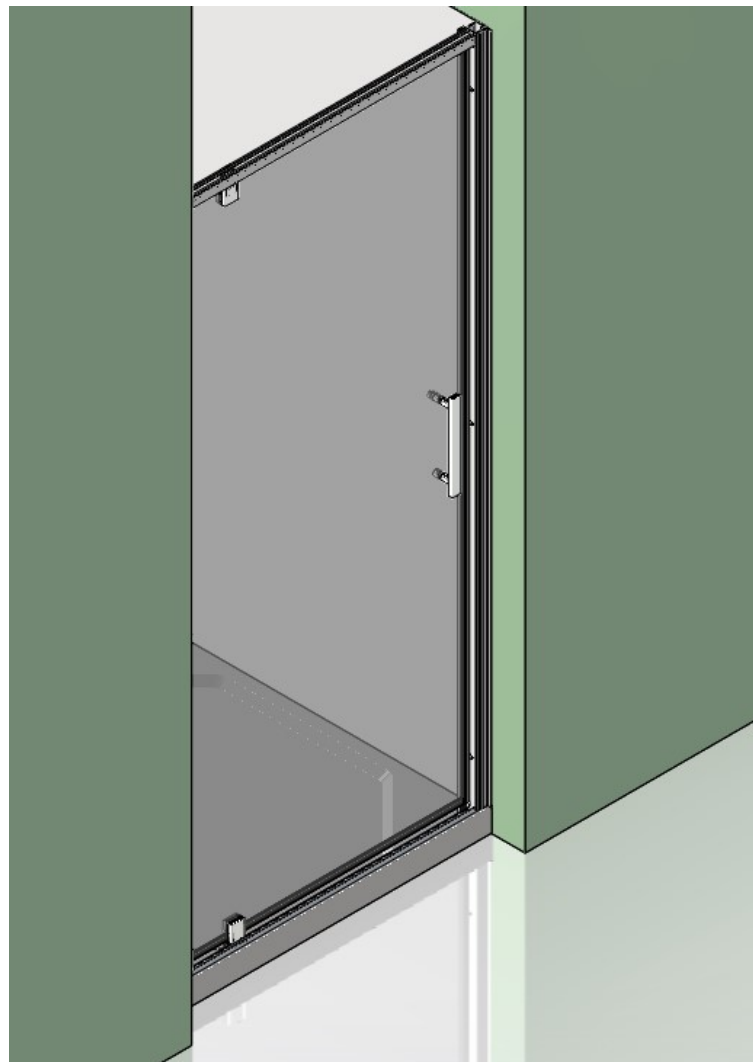
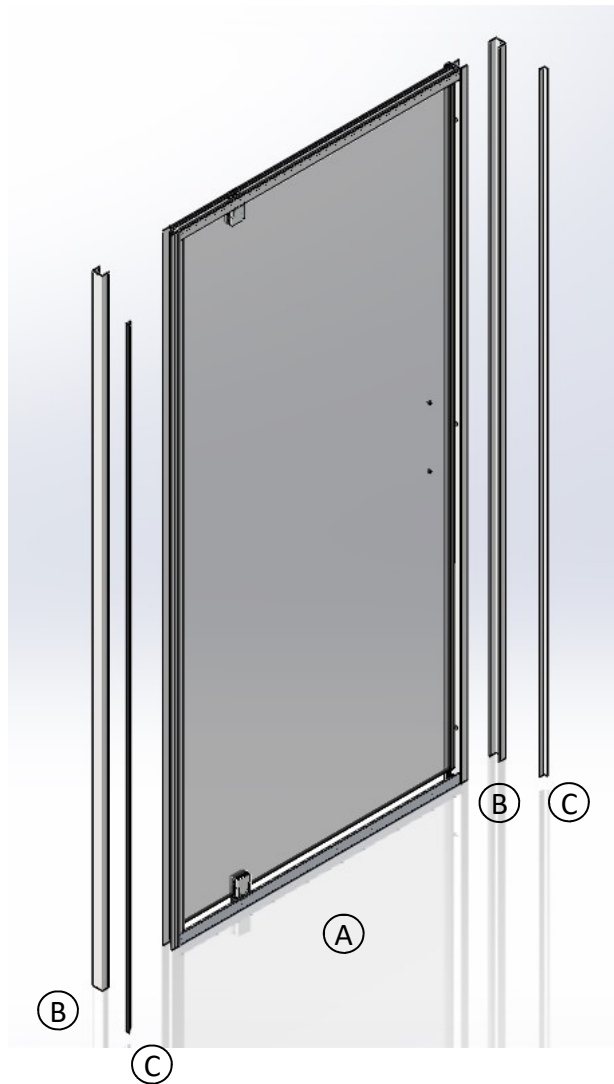




# Alcove Shower Door Set Installation Instructions



Please read these Instructions carefully



### Components

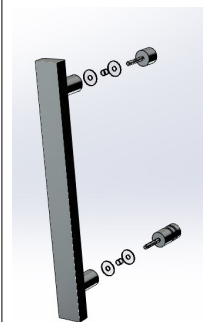
- A - Door Assembly
- B - Door Wall Receiver
- C- Cover Trim x 2 (On Selected Models)

### Tools Required

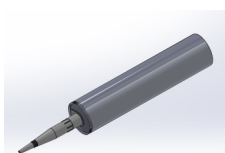
- Drill
- Spirit level
- Tape Measure
- Screw Driver (No.1 Sq drive)
- Caulking Gun
- Masking tape
- Pencil
- Cleaning Cloth

**(For shipping purposes the Door & Return Receivers are packed in the sides of the Door and Return**

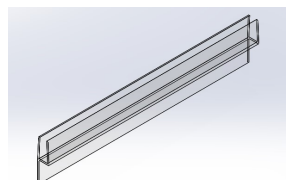
### Installation Components



Handle  
(where applicable)



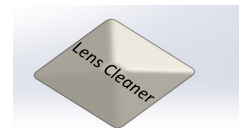
Tube of NG Silicone



Drip Seal –1m



No.6 x 38mm screw  
Qty 6



Cleaning Towelette  
(White showers only)



Screw Cap  
Qty 6



No.6 x  
10mm screw



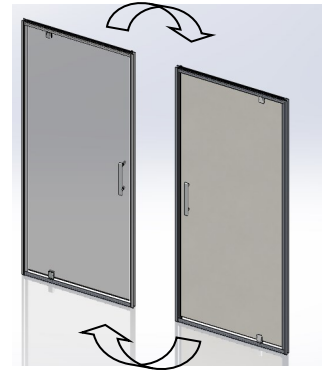
9mm Plug  
Qty 3

## Installation

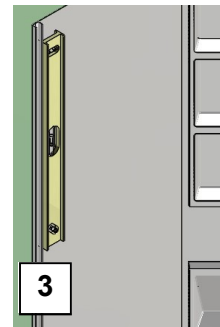
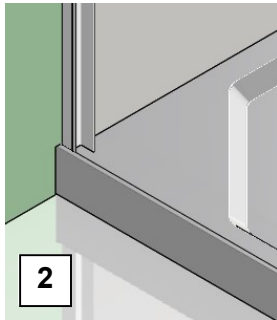
### Note:

Your shower Door can be installed to open from the left or right hand side by rotating the door 180 degrees. You must decide which way the door is to open before starting the installation.

Before commencing partially remove the clear protective film from the edges of the wall liner where the Wall receivers will be fitted. Keep the remaining film in place until the installation is complete



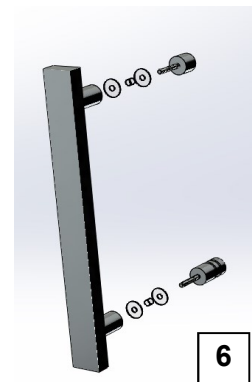
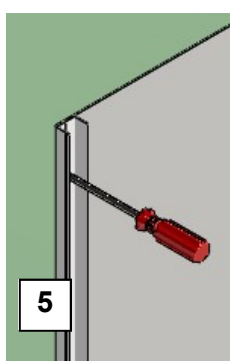
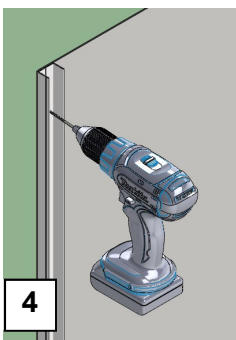
1. Pre drill three equally spaced clearance holes (i.e. top, bottom and centre) in the Door & Return Wall Receivers using a 4.0mm drill bit.



2. Determine which side the Door is to be hung. Position one of the Door Wall Receivers hard against the inside edge of the tray upstand. If installing on to a tray without front upstands place the Wall Receiver 10mm in from the front edge of the tray

3. Plumb up the Door Wall Receiver using a spirit level.

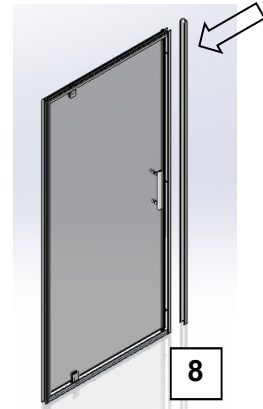
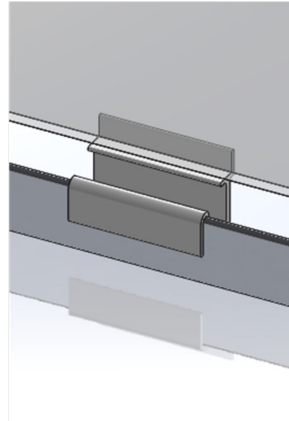
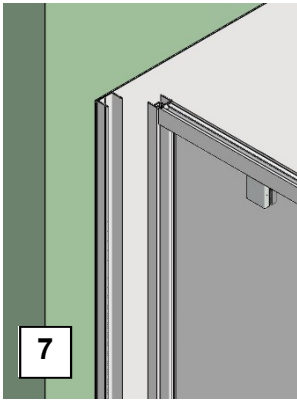
**NOTE: If the shower walls are to be tiled the Wall Receivers must be installed to the Water proof membrane before tiling. This ensures the doors will fit within the lip of the tray**



4. Drill into the wall through the clearance holes using the 3.0mm drill bit. **N.B.** The holes preferably locate into a stud or nog. As an alternative, a toggler system can also be used.

5. Apply Silicone sealant to each of the holes. Fix the Wall Receiver to the walls using the No.6 x 38mm stainless steel screws.

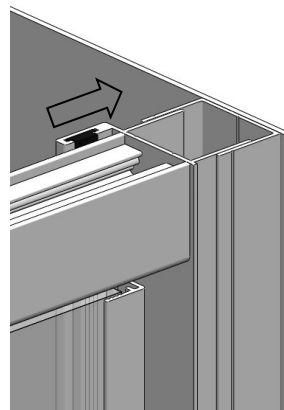
6. Fit the handle to the door where applicable. Ensure to fit the plastic washers and bush to prevent metal to glass contact



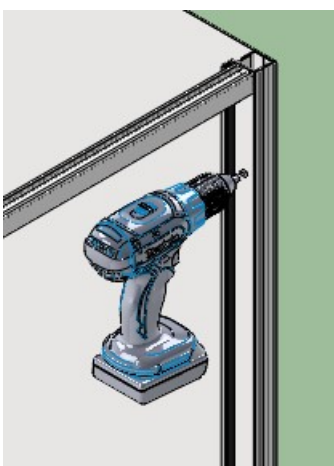
7. Ensure the Door is facing the correct way with the door opening outwards. Do not remove the door setting block, this will assist in supporting the door during installation and setting the correct clearance from the sill. Place the door into the Wall Receiver

Lift the Door assembly with the Wall Receiver attached onto the shower step and slide into the Door Wall Receiver already installed

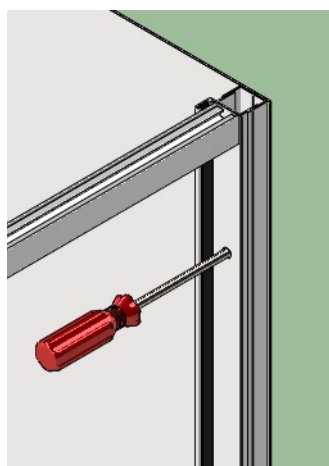
9. Swing the door assembly back so it is parallel to the tray or inline with the opposite Wall receiver. Slide it over until it sits against the wall liner. Open the door and support on a wooden block



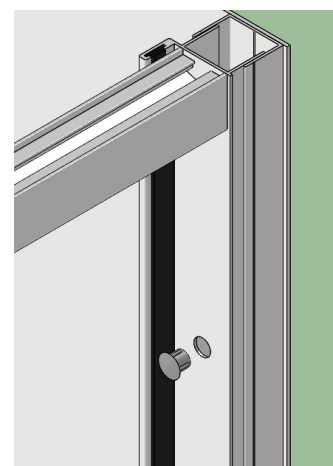
8. Turn the door on a slight angle and Slide the remaining Door Wall Receiver onto the Door Assembly. Temporarily hold in position using tape place placed down the side .



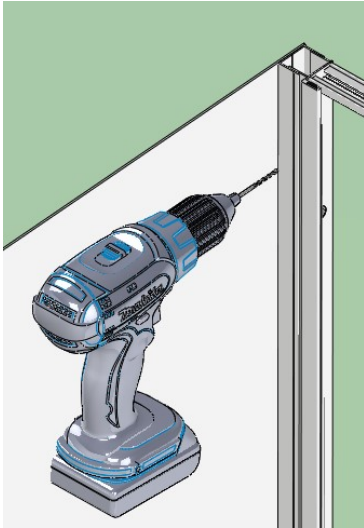
10. Remove the temporary tape and Plumb the Door. Through the oversize holes in the Door jamb drill through the Wall Receiver and into the wall stud using a 3.0 mm drill bit



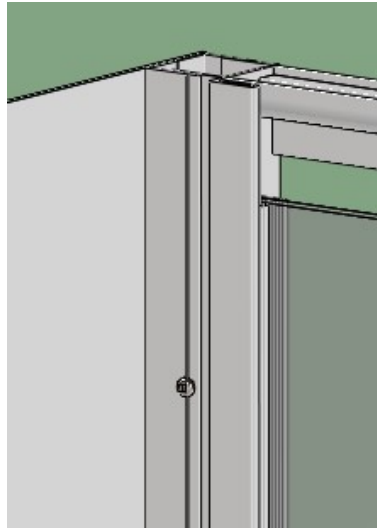
11. Fix the Wall Receiver to the wall using the No.6x 38mm stainless steel screws.



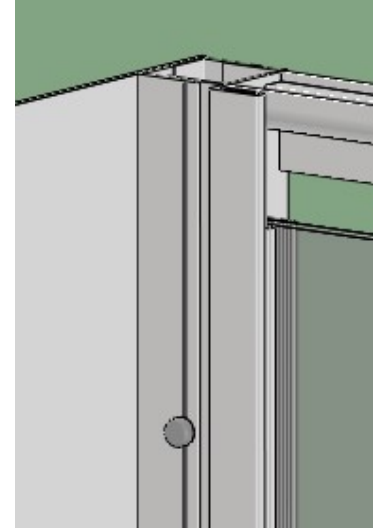
12. Fill the oversize holes in the door Jamb using the 9mm plastic plugs



13. From the inside using a 3.0mm drill bit; drill through the vertical sections of the Door into the Wall Receivers. Fix the Door to the Wall Receivers. You must have a minimum of 10mm overlay and the holes must be drilled no more than 5mm from the edge of the vertical aluminium sections.

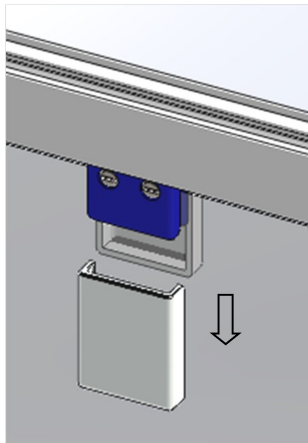


14. Fix in place using the 6 gauge x 10mm screws.



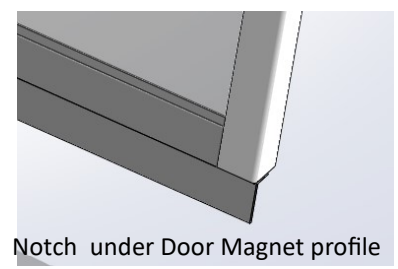
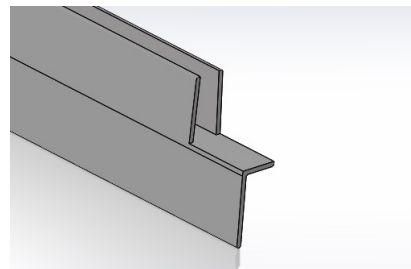
15. Cover all Screw heads with the Screw Caps

### All Screw fixings are made from inside the shower



16. Slide the outside Clamp Block Covers off the Pivot Clamp. Using a Phillips head screwdriver, adjust the door as required, by loosening the screws on each pivot block.

Once the door adjustment is complete ensure the screws are retightened and reinstall the Clamp Block Covers. Open the door and remove the door setting block

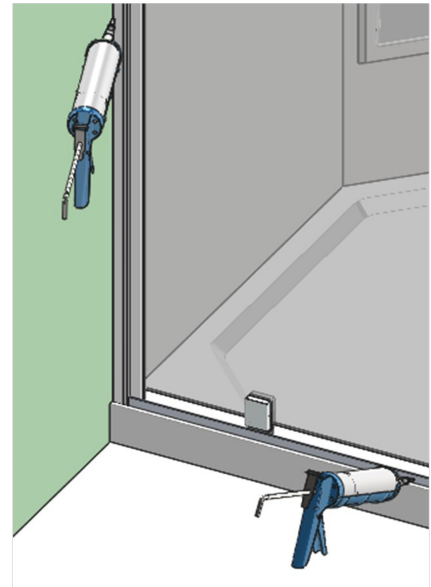
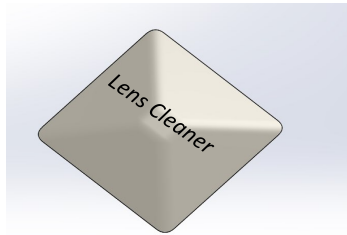


Notch under Door Magnet profile

17. Fit the Drip Seal. The Drip seal is supplied in a 1m length, this will need to be cut to the desired lengths for each side of the pivot. The flexible vertical blade faces inside the shower. The opening side Drip seal will also need to be notched to fit under the door magnet profile. Make the Notch 13mm in length and finishing down to the horizontal rigid ledge of the drip seal

18. Attach the Drip Seals to the glass door

## Sealing the Shower



18. For White Showers only - take the Cleaning Towelette and wipe the surfaces of the Powder coated profiles and acrylic tray where Silicone will be applied Allow to dry (1-2 minutes)

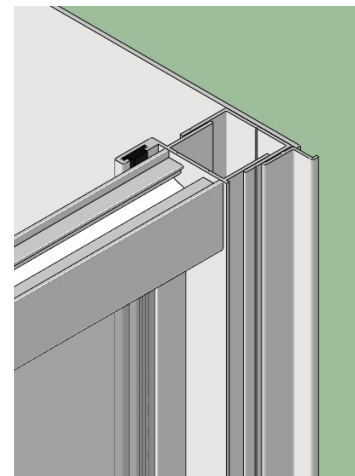
19. The Door can now be sealed in place using silicone sealant. Ensure all surfaces are first cleaned with dry clean cloth. Seal between the tray upstand and the door set along the bottom outside edges. Seal vertically between the Wall Receivers and Wall Liner

**Note** MASKING the area to be Sealed will give you a superior finish

20. Cover Trim-- (selected models only)

The Cover Trim is provided to cover the exposed vertical edge of the wall liner and is the final step of the installation. For some installations the Cover trims may require cutting to length

To fit the Cover trim apply small vertical beads of silicone down the Wall Receiver and the exposed wall lining outside of the Wall Receiver. Embed the Cover trim into the silicone. If the liner extends more than 10mm it will need to be trimmed prior to fitting the Cover Trim



**Your Shower is now complete**

**IMPORTANT: DO NOT apply sealant to the inside of the shower**



Clearlite Bathrooms  
54-58 Hillside Rd, Glenfield, Auckland  
Ph (09) 4443780  
info@clearlite.co.nz  
Clearlite.co.nz

November 2023