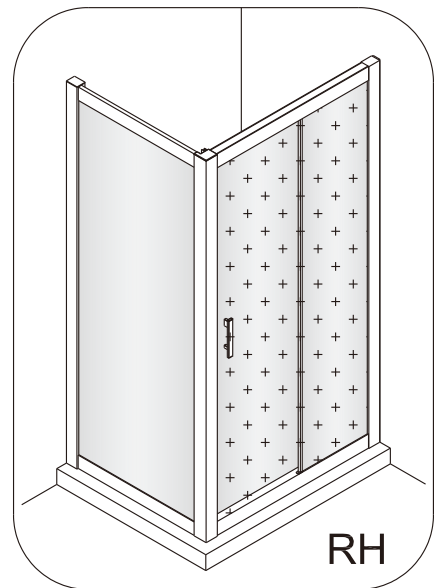
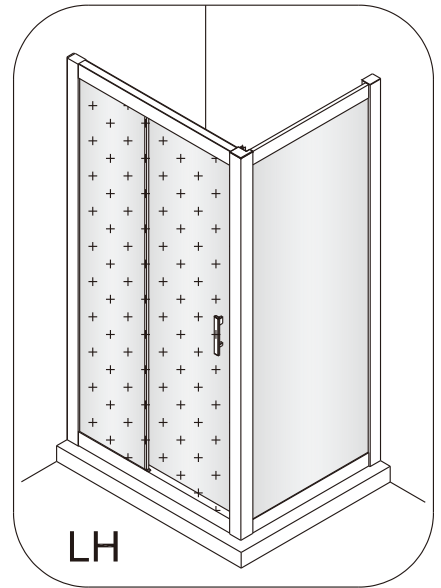
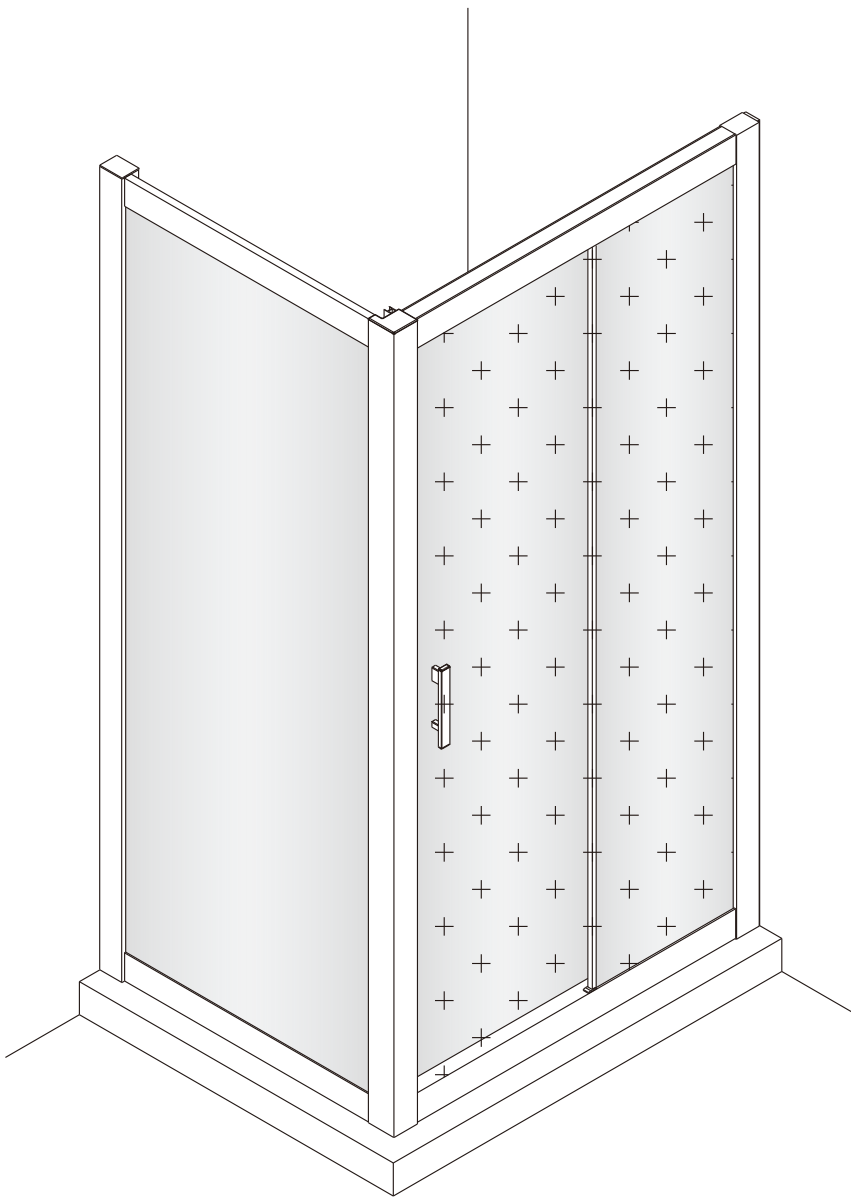
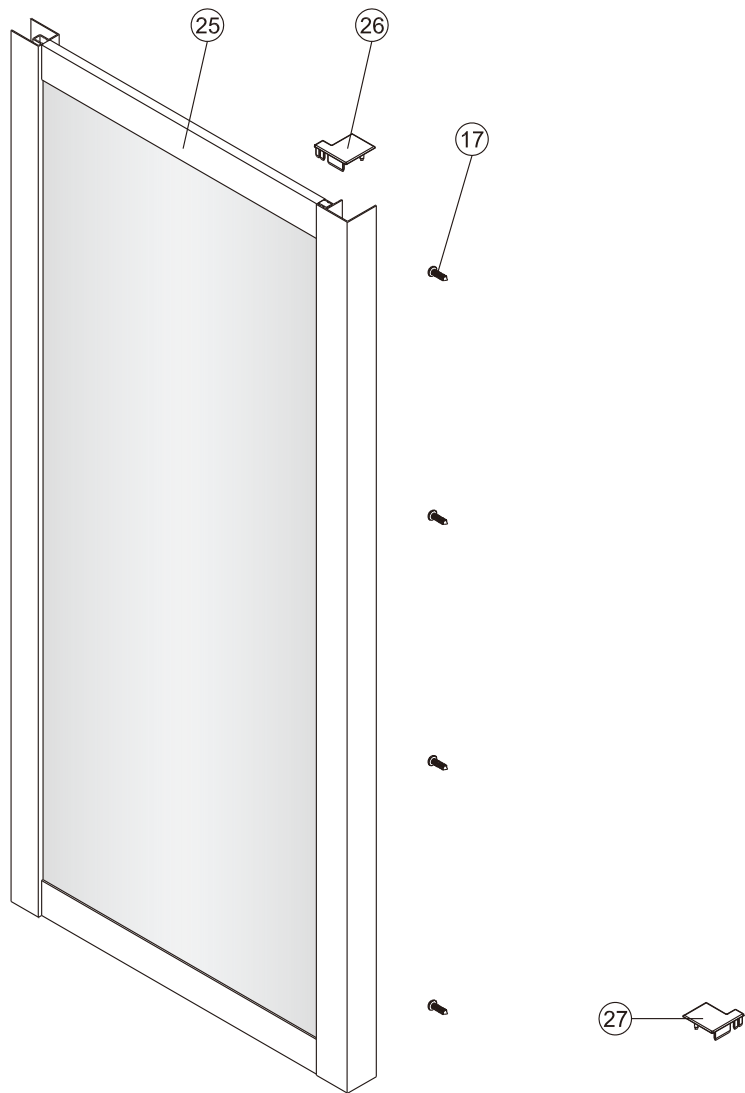


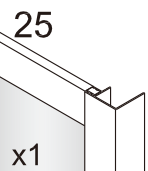
Door & Panel Installation Instructions







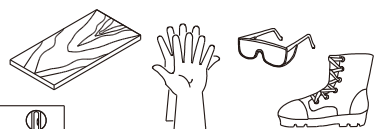
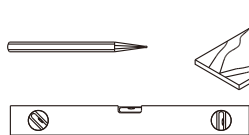
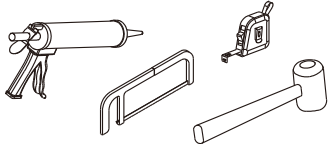
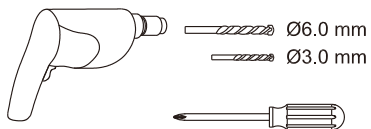
17

 ST4x12
 x4

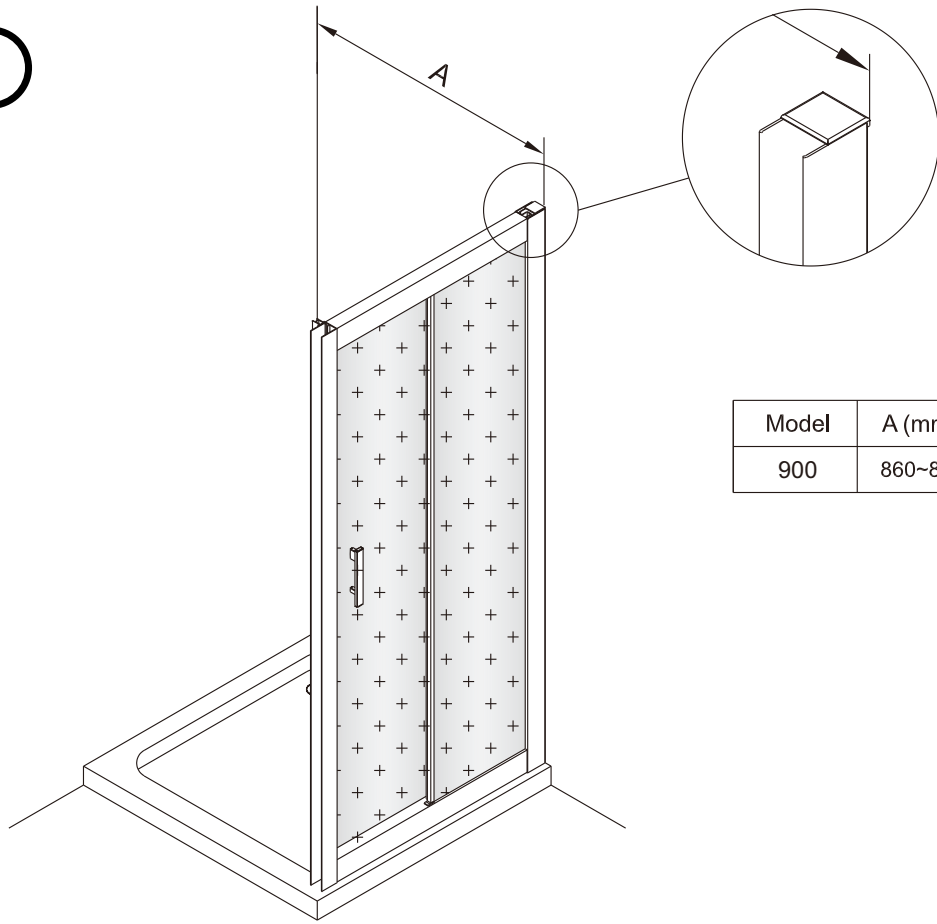
25

 x1

26

 x1

27

 x1

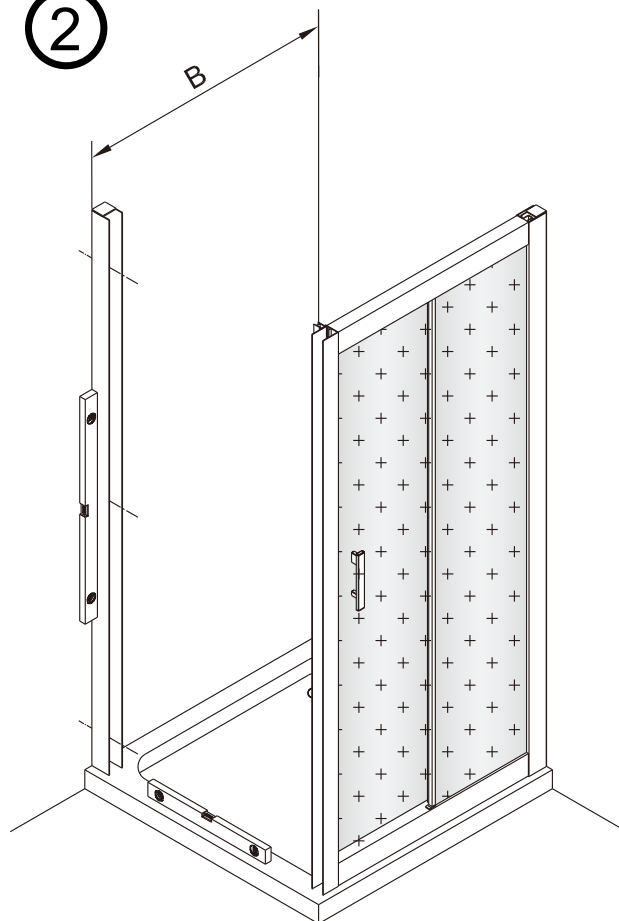
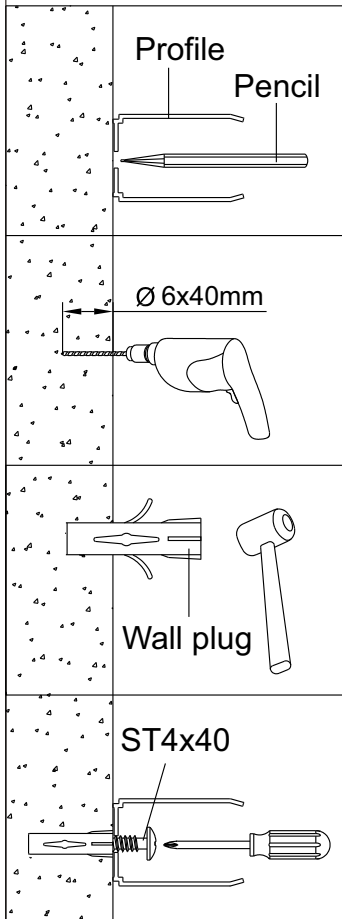


1

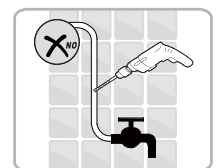
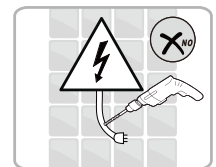
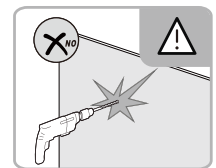


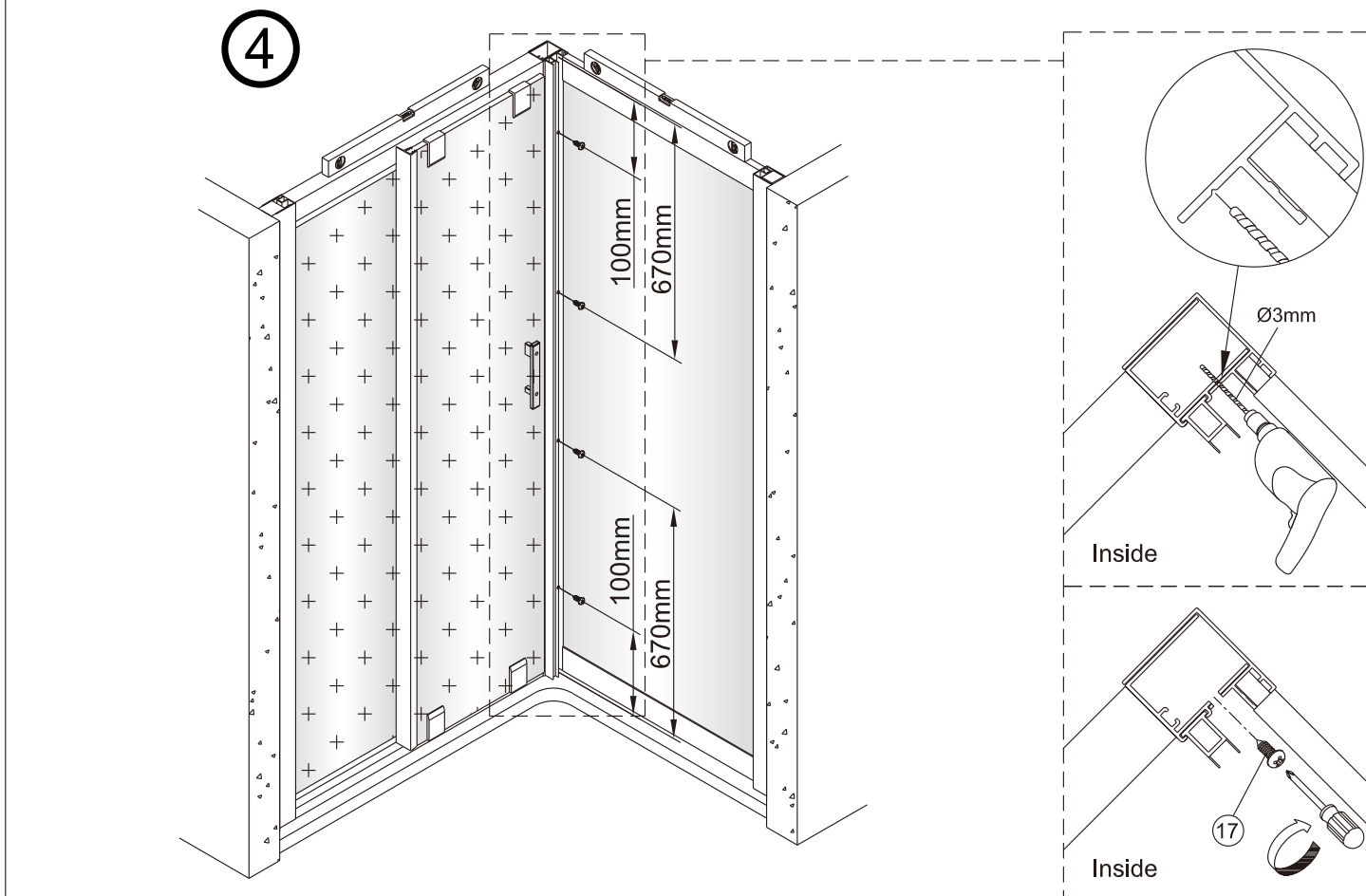
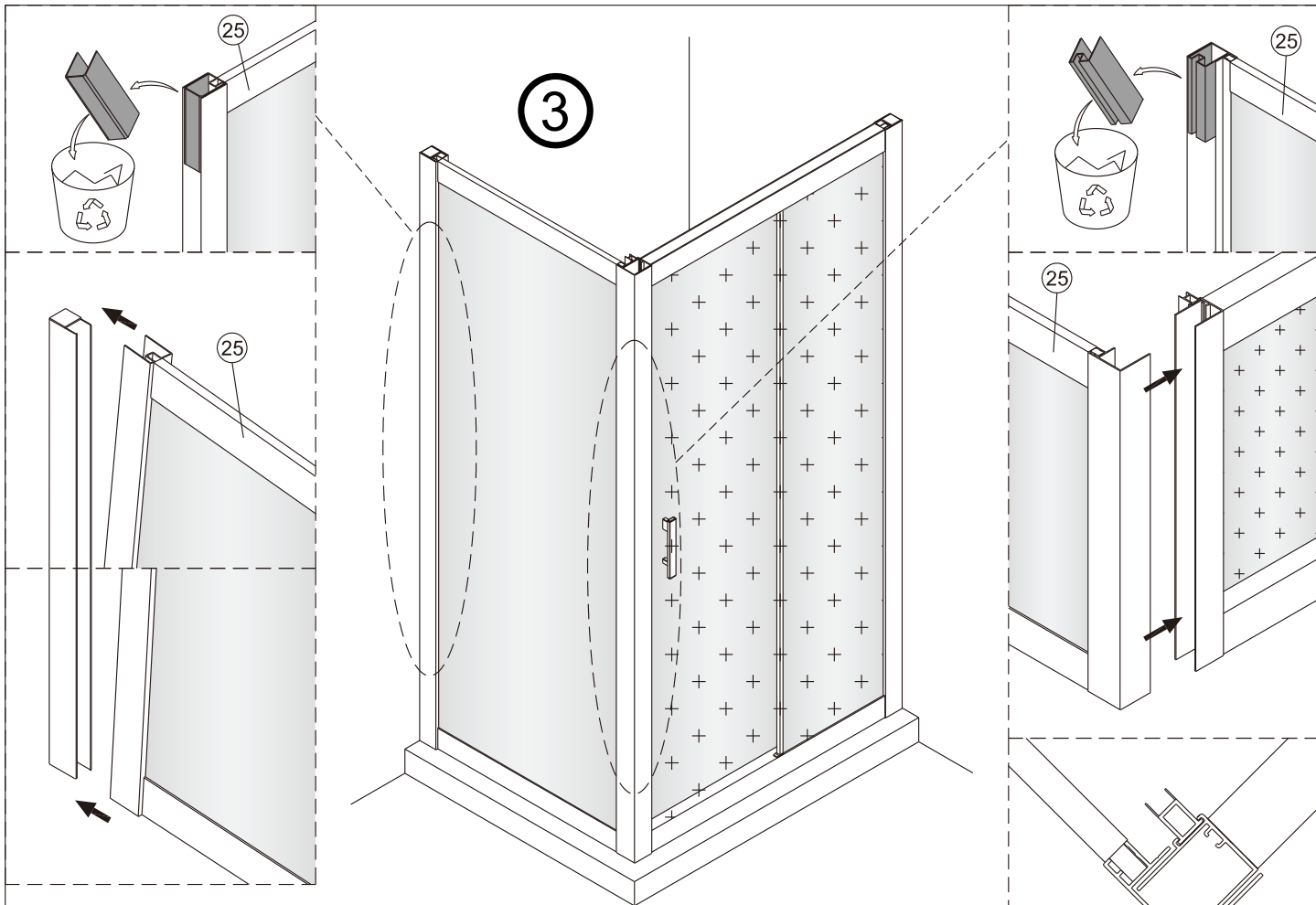
Model	A (mm)
900	860~875

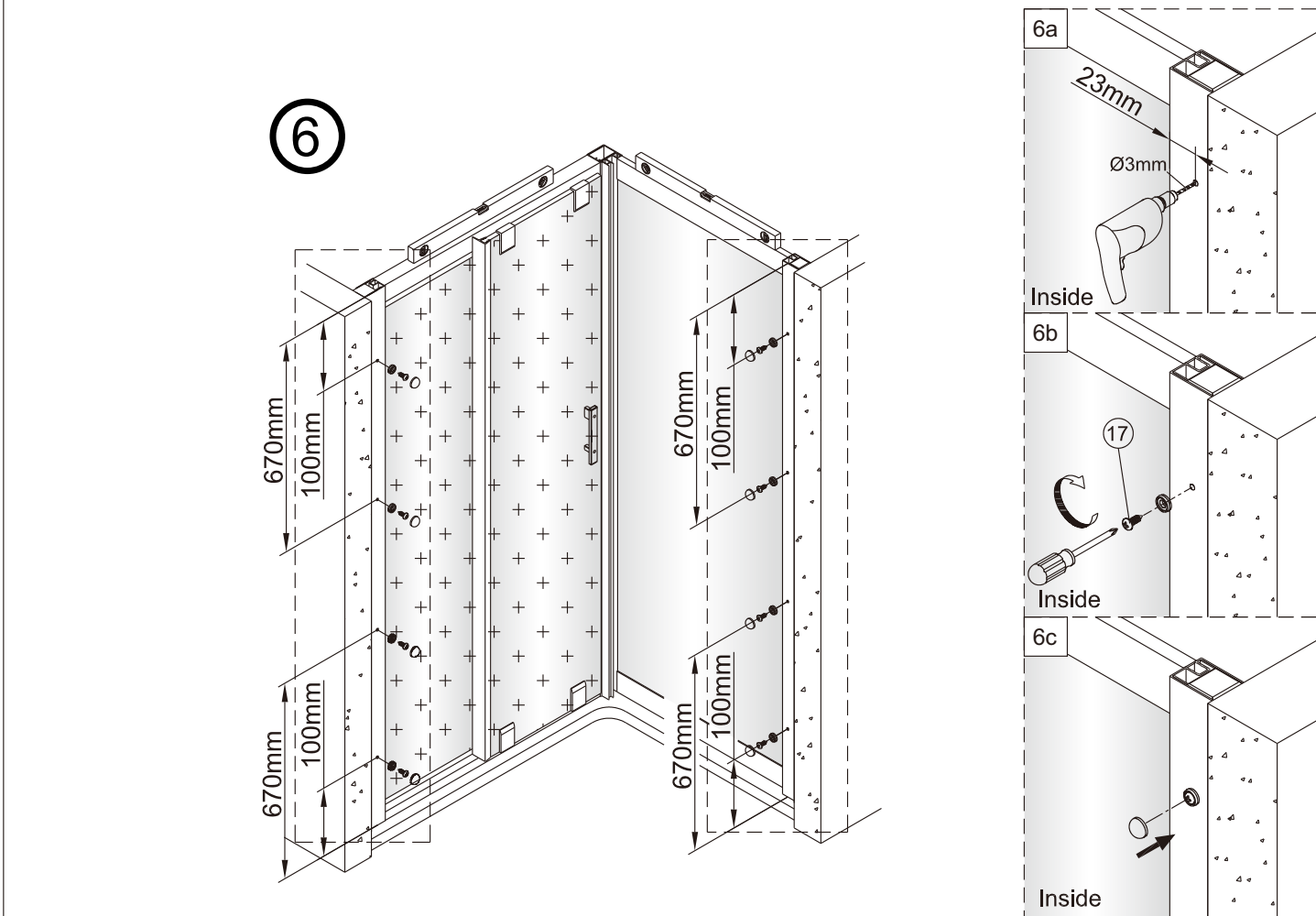
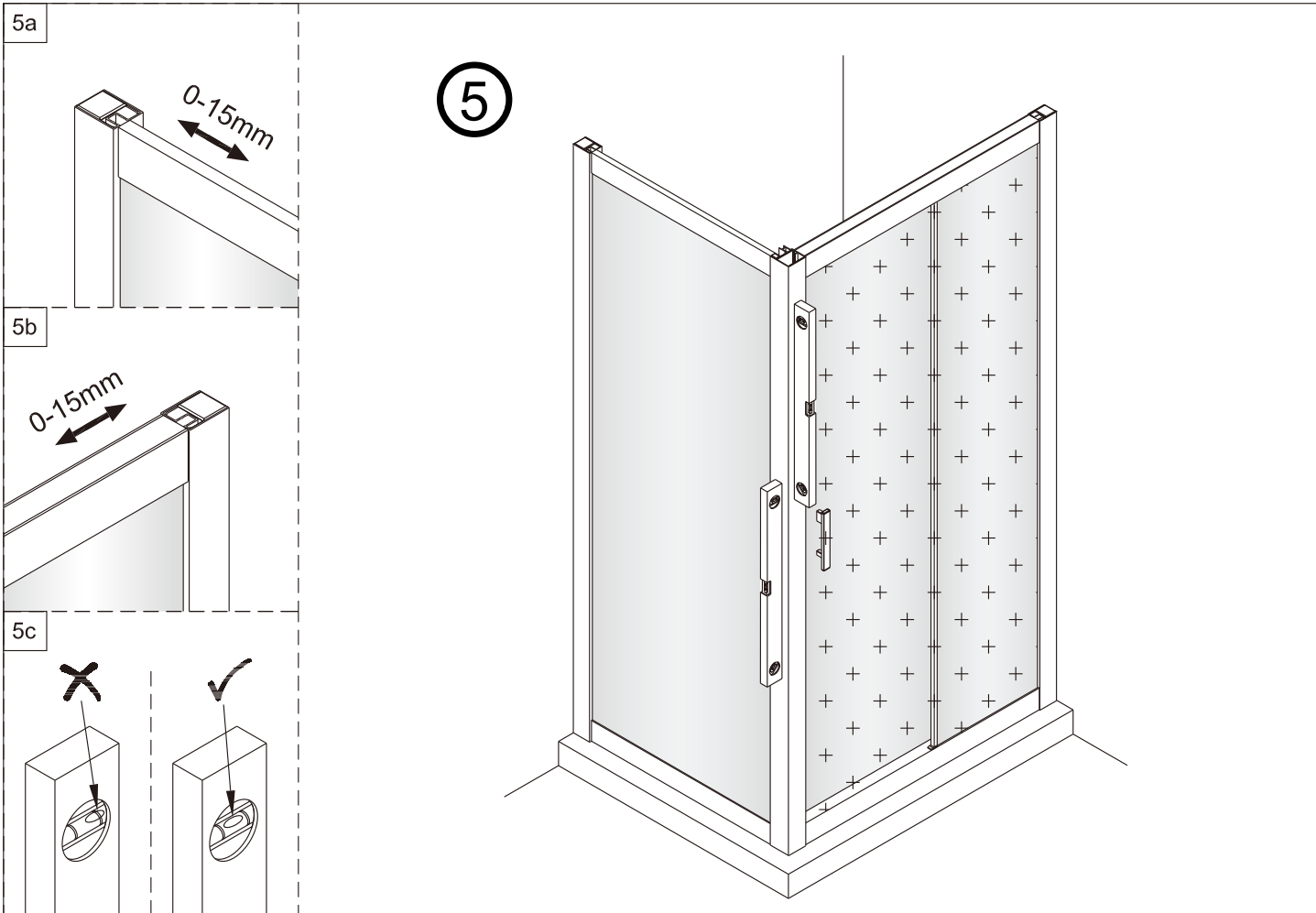
2



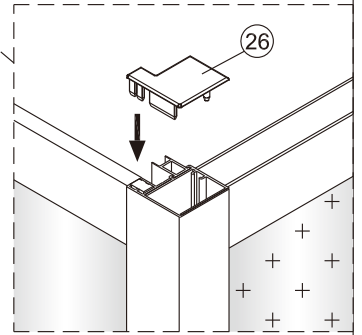
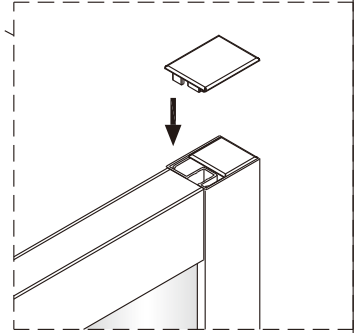
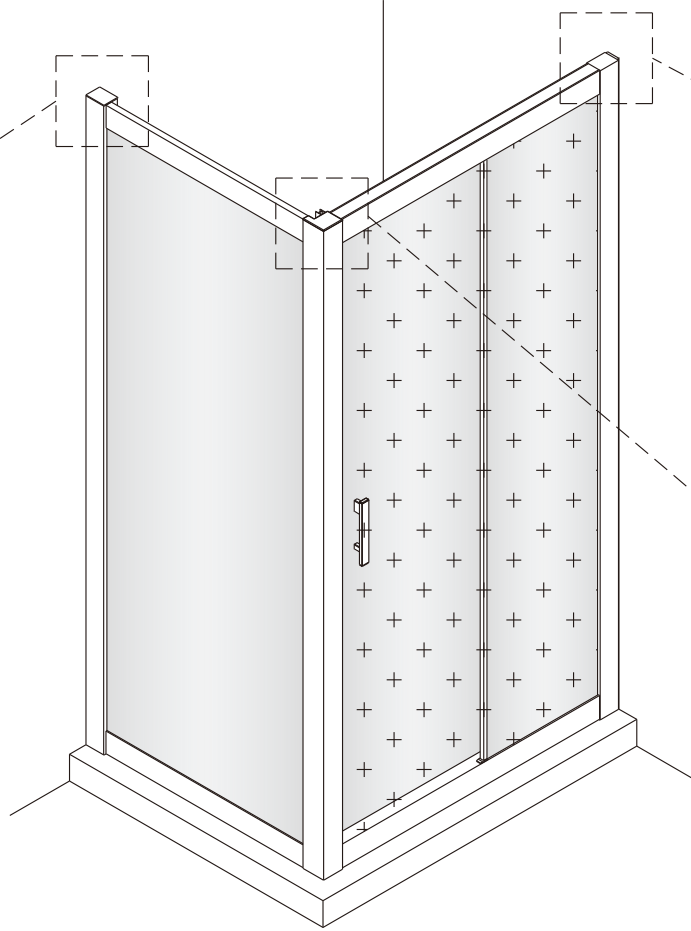
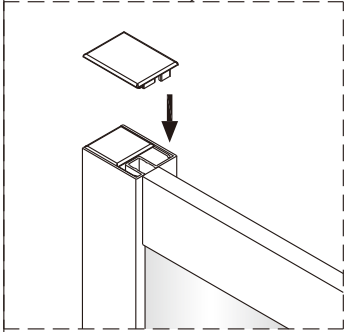
Model	B (mm)
1200	1160~1175



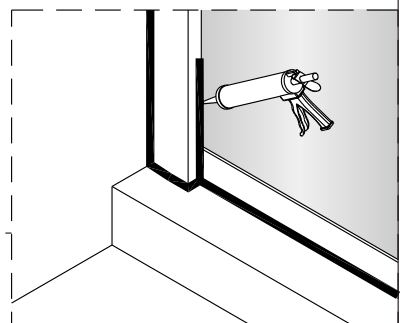
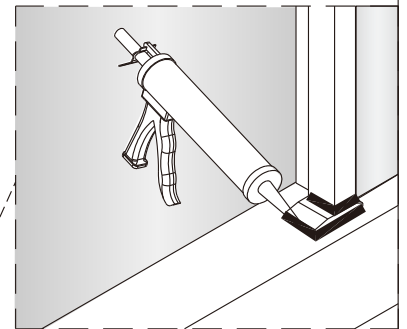
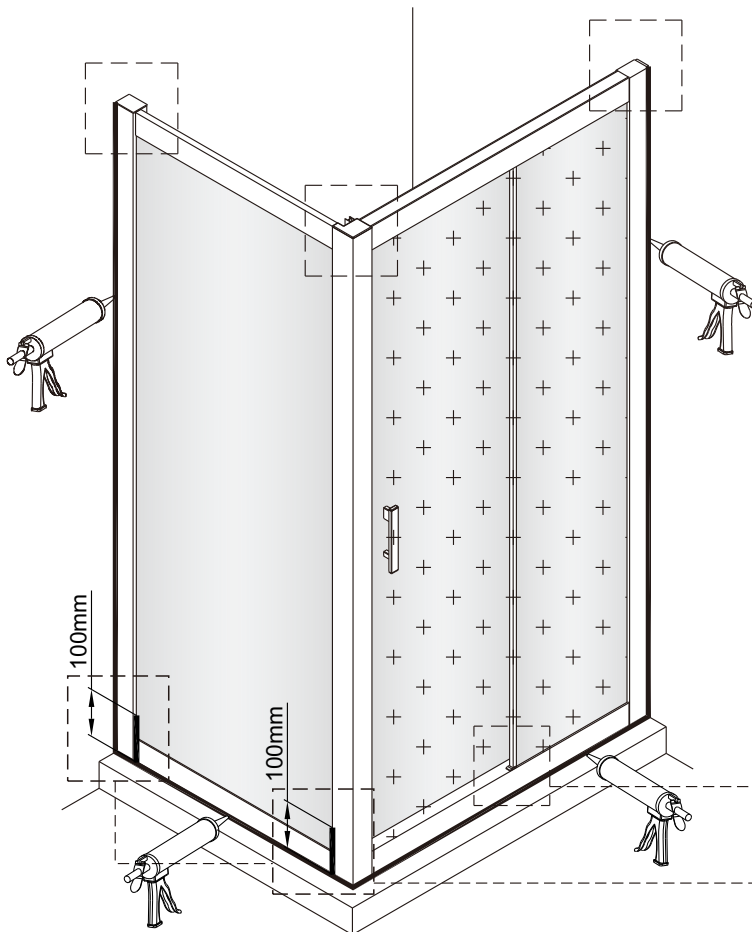




7



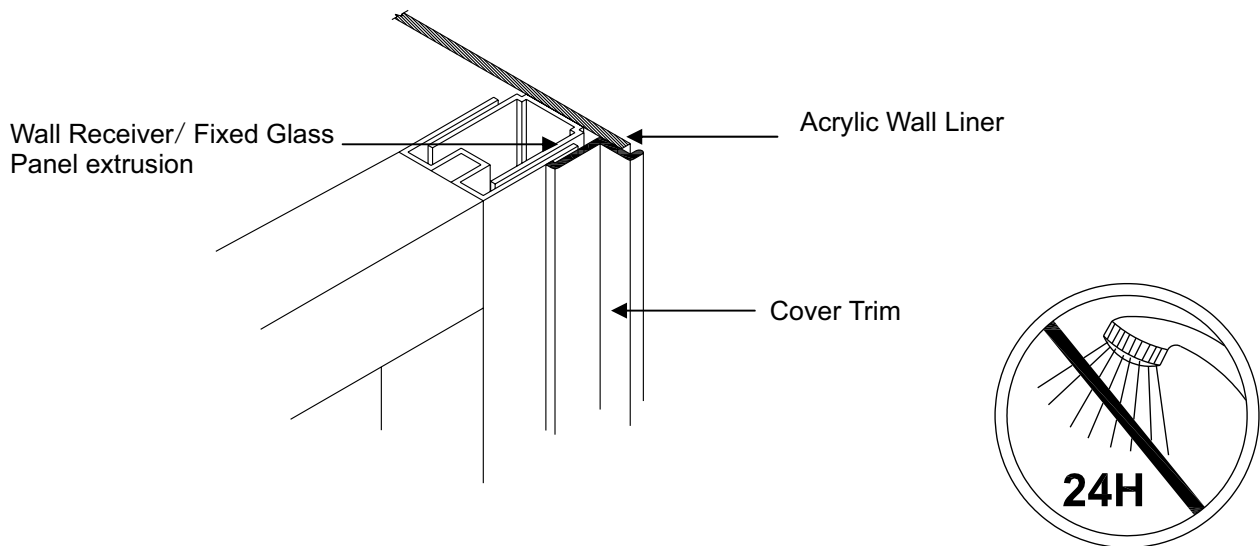
8



Step 9 Fitting Cover trims (For acrylic wall installations only)

The Cover Trim is provided to cover the exposed vertical edge of the wall liner and is the final step of the installation.

To fit the Cover trim apply small vertical beads of silicone down the Wall Receiver/ Fixed glass panel extrusion and the exposed acrylic wall liner. Embed the Cover trim into the silicone and allow to cure. If the liner extends more than 10mm it may need to be trimmed prior to fitting the Cover Trim



For further information contact:

OPR Ltd, 54-58 Hillside Rd, Private Bag 40902 Glenfield, Auckland 0747, New Zealand
Telephone (09) 444 3780, Email info@clearlite.co.nz.