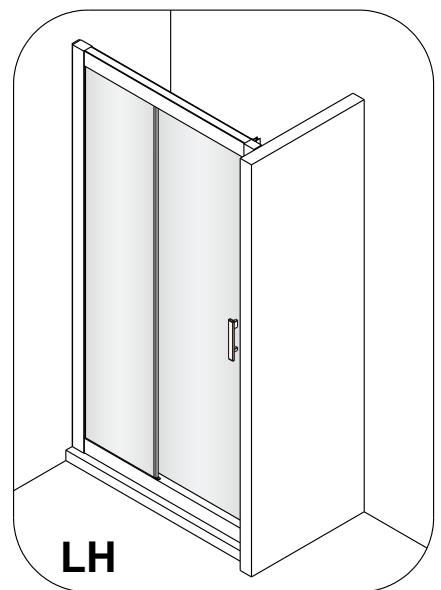
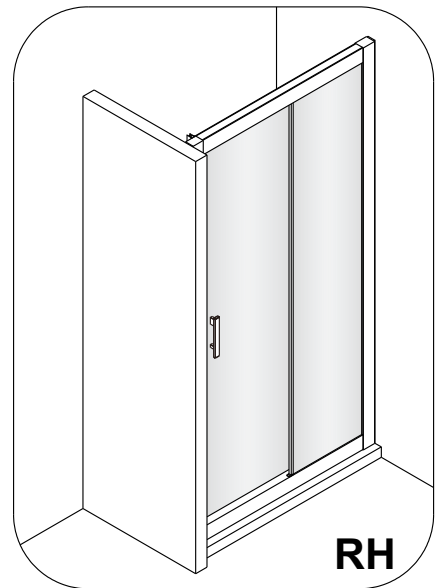
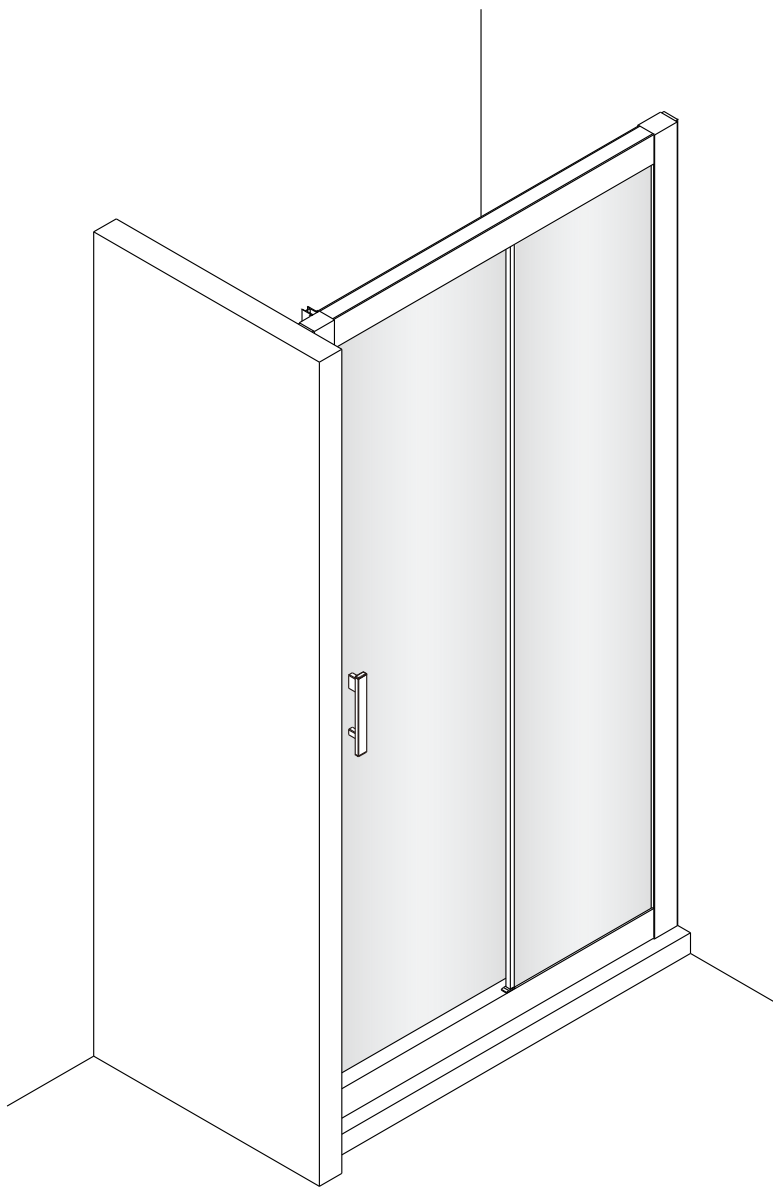
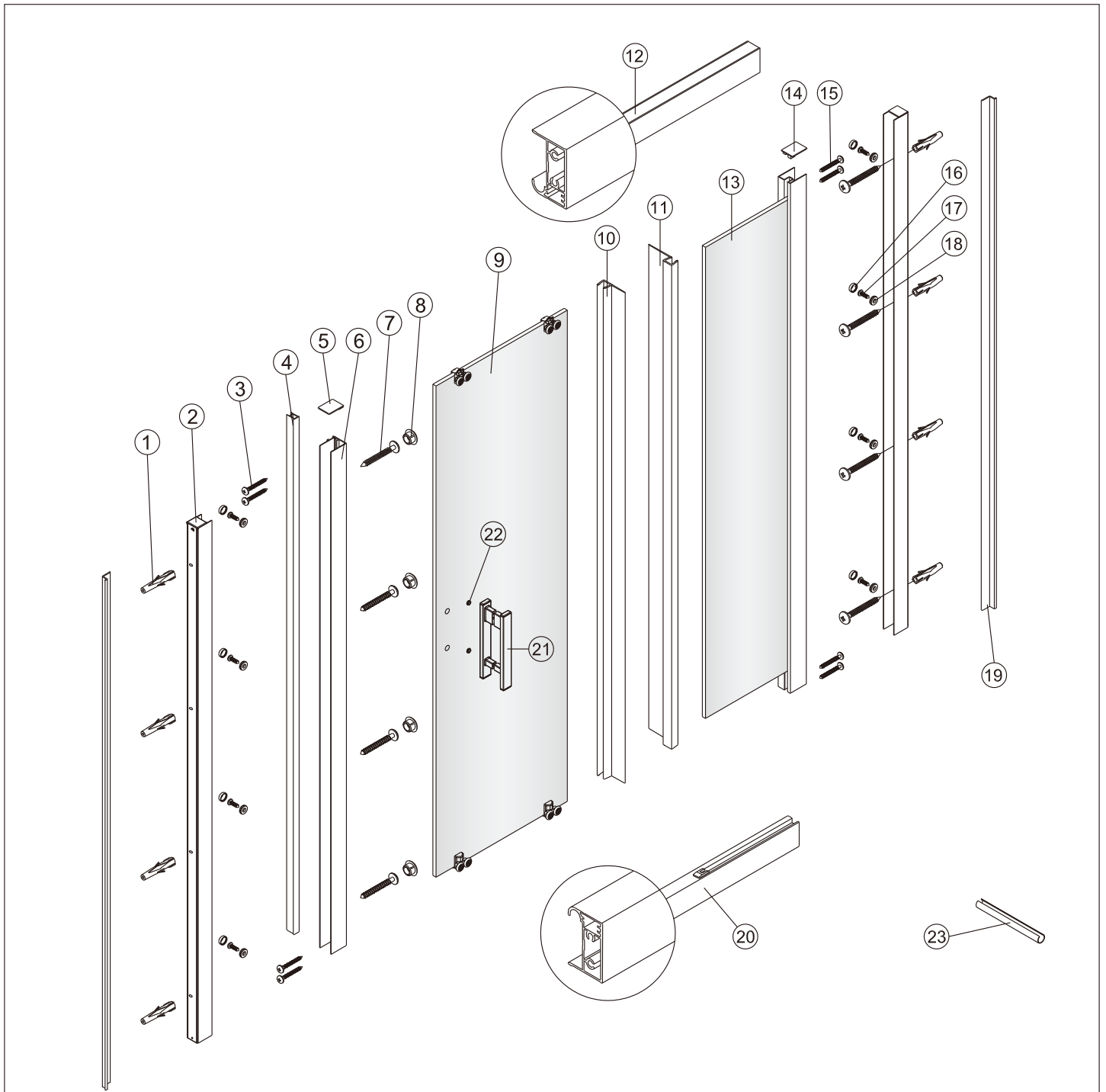
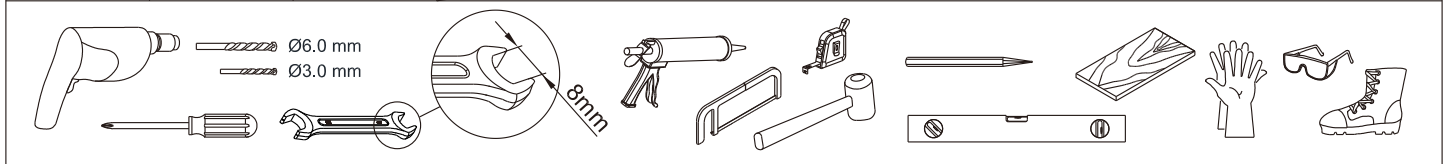


Sliding Square Shower Installation Instructions





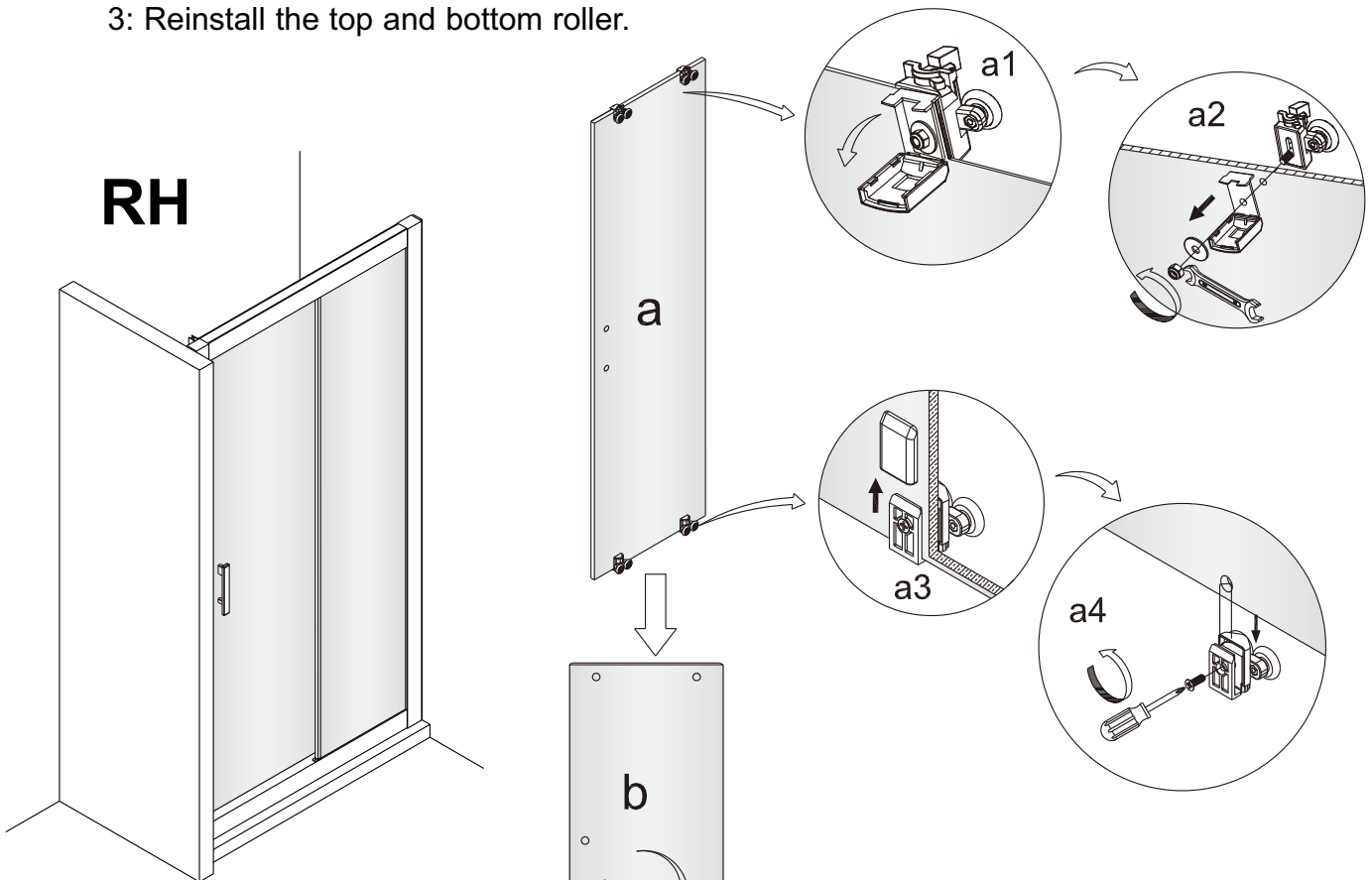
1 x8	2 x2	3 x4 ST4x20	4 x1	5 x1	6 x1	7 x8 ST4x40	8 x4	9 x1	10 x1
11 x1	12 x1	13 x1	14 x1	15 x4 ST4x30	16 x8	17 x8 ST4x12	18 x8	19 x2	20 x1
21 x1	22 x2	23 x1							



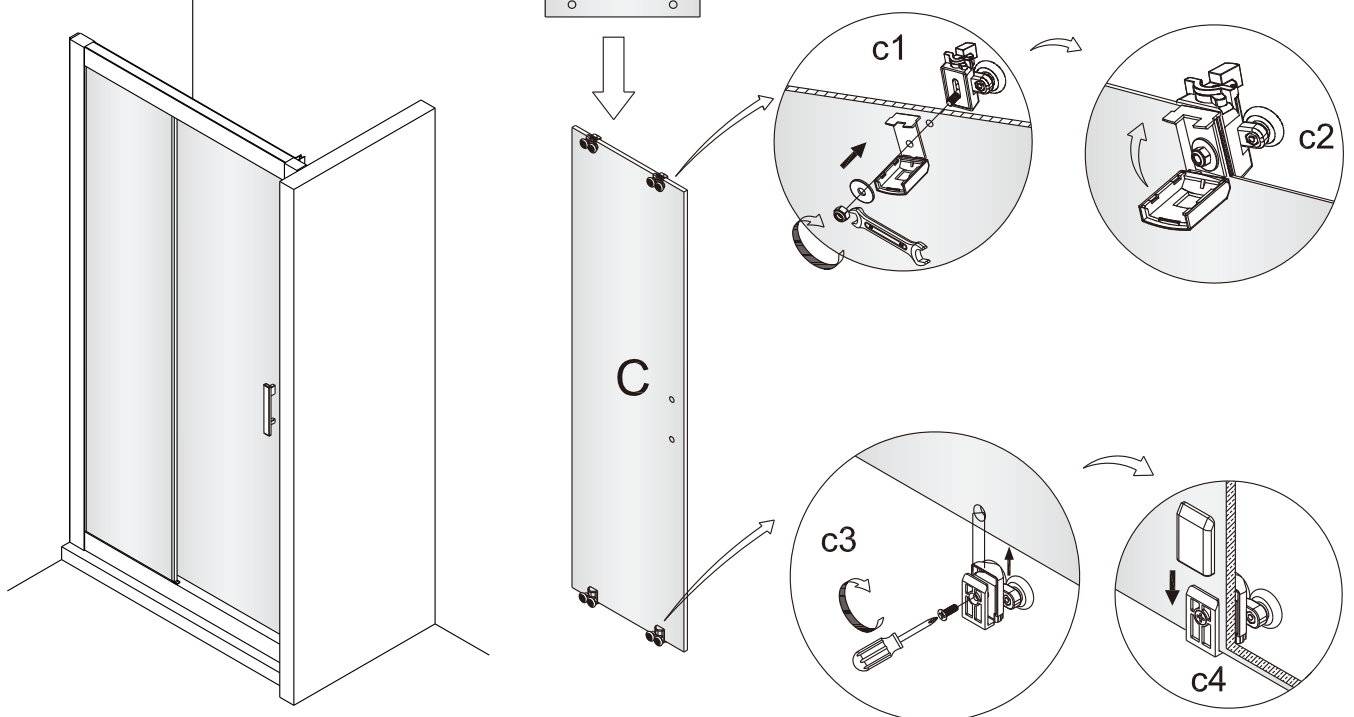
The Slider shower enclosure is reversible for left or right hand fitting. While the installation of the enclosure is RH, You just ignore the diagram below. For the LH installation, the diagram below should be followed.

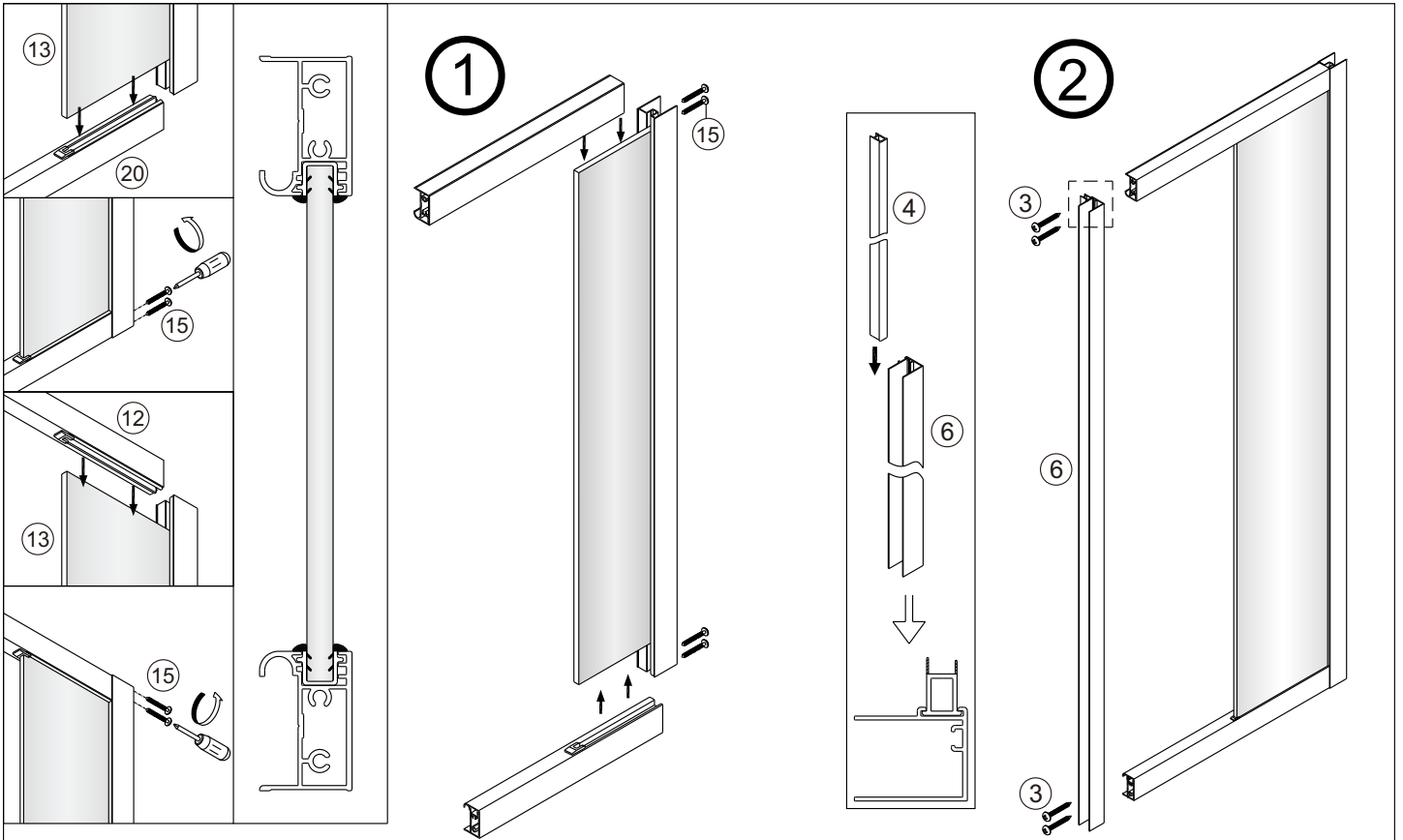
- 1: Disassemble the top and bottom roller using the tool supplied .
- 2: Turn the glass up side down.
- 3: Reinstall the top and bottom roller.

RH

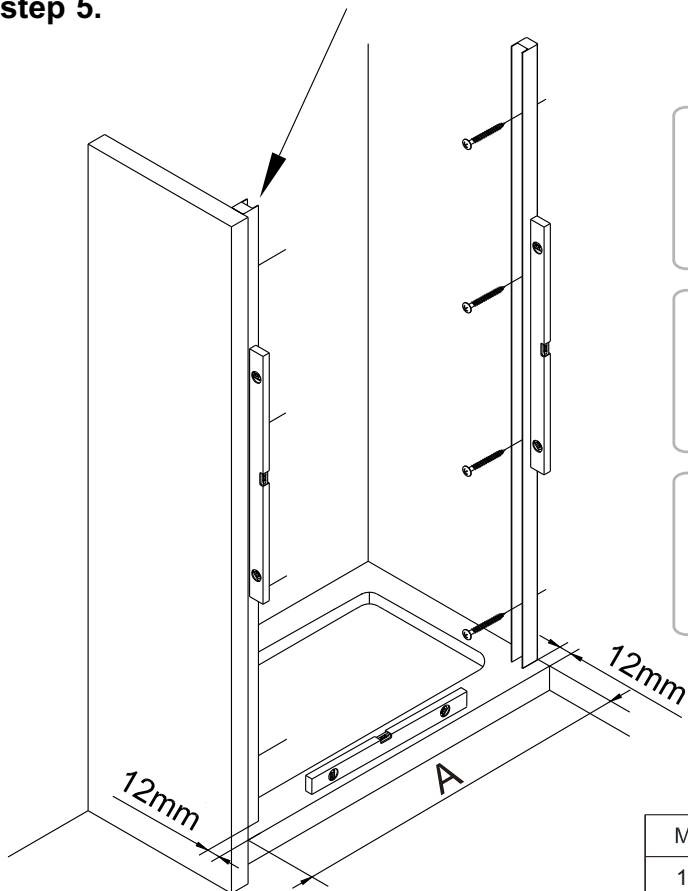


LH

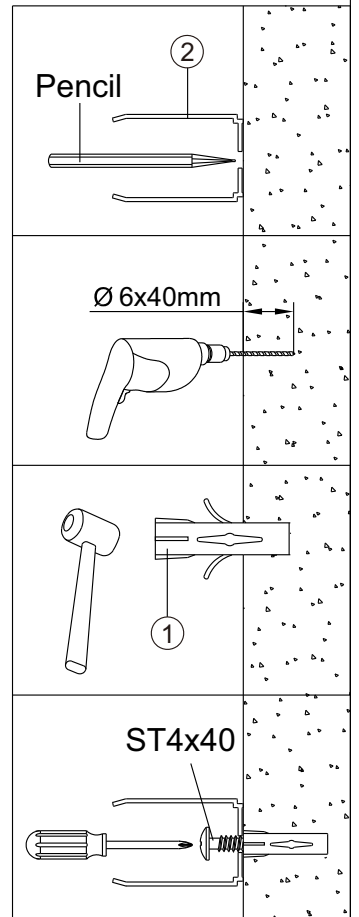
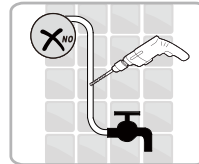
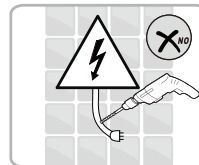
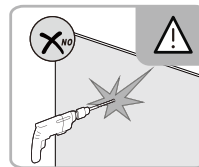




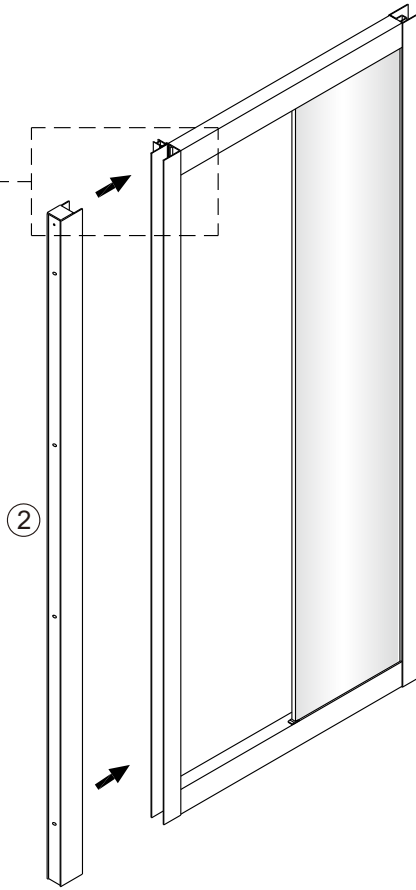
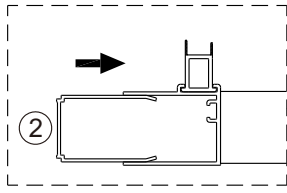
At this step the wall profile on the handle side should not be fixed to the wall, and should be done at step 5.



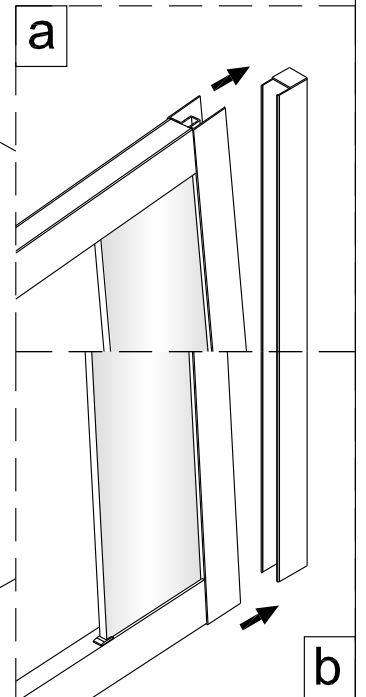
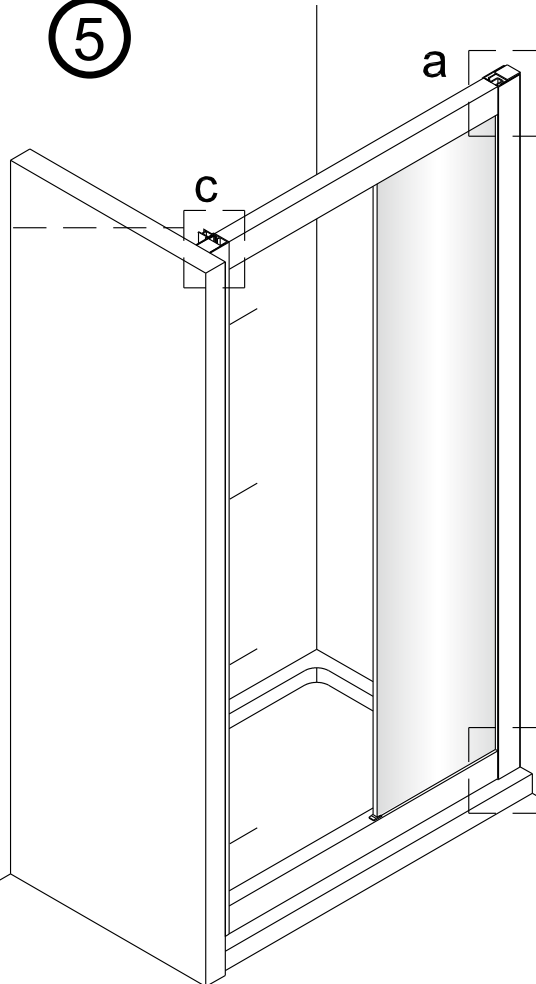
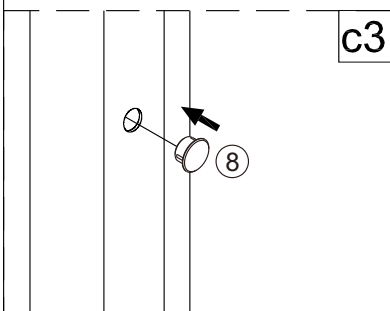
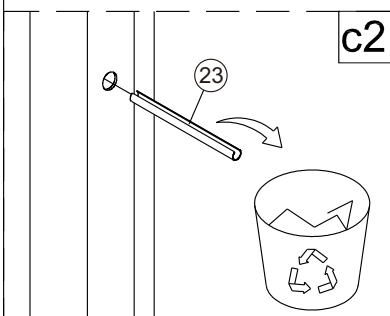
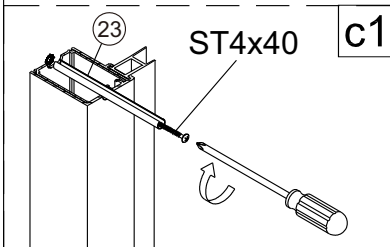
3



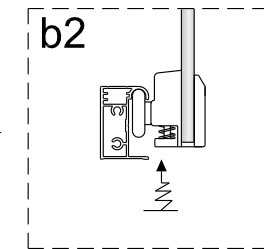
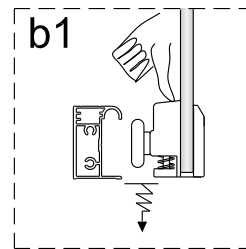
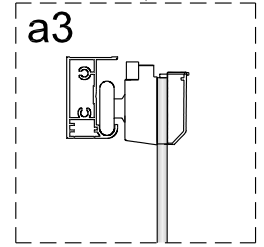
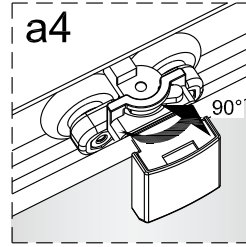
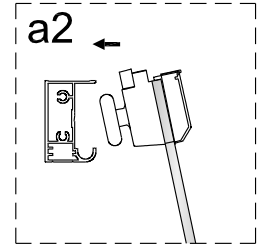
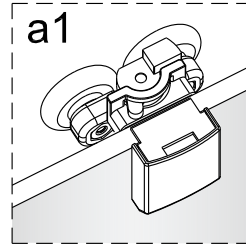
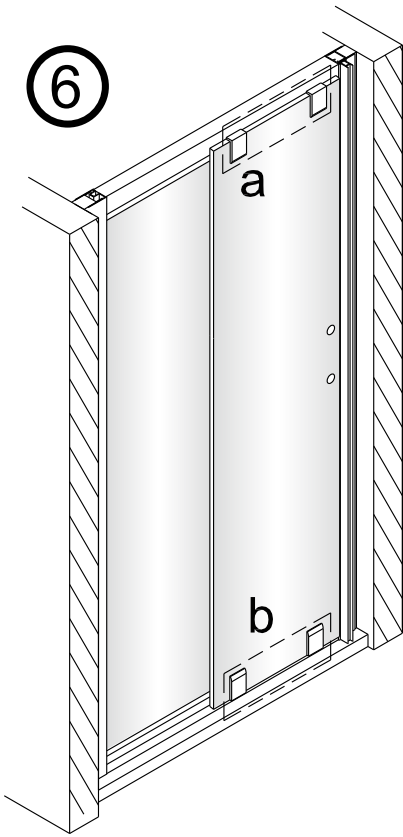
4



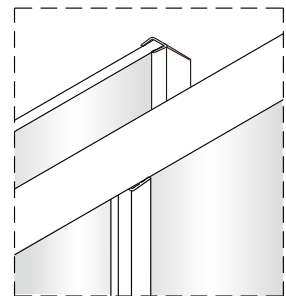
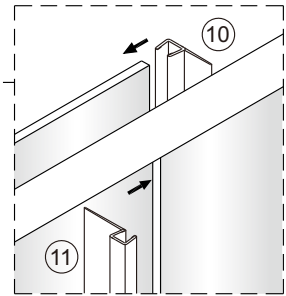
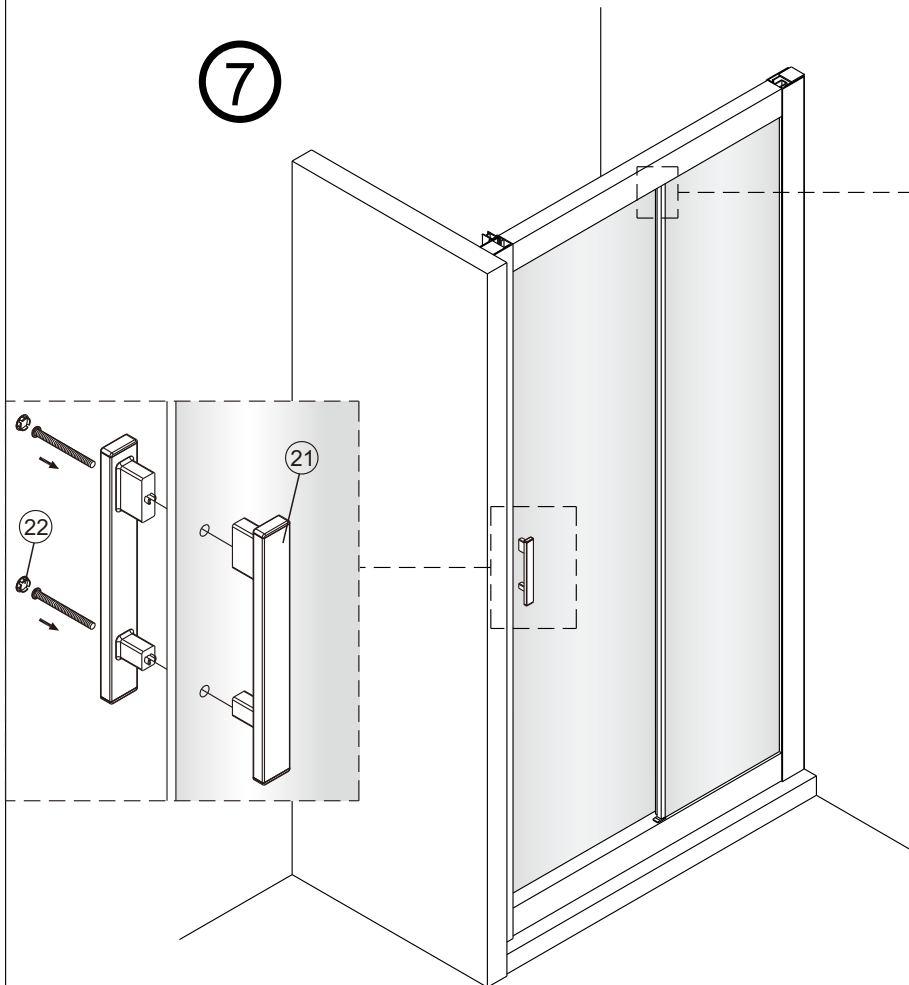
5



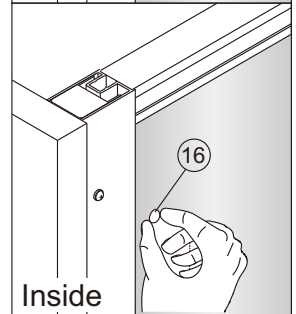
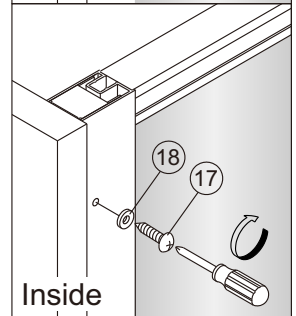
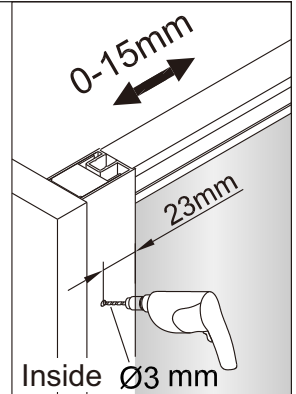
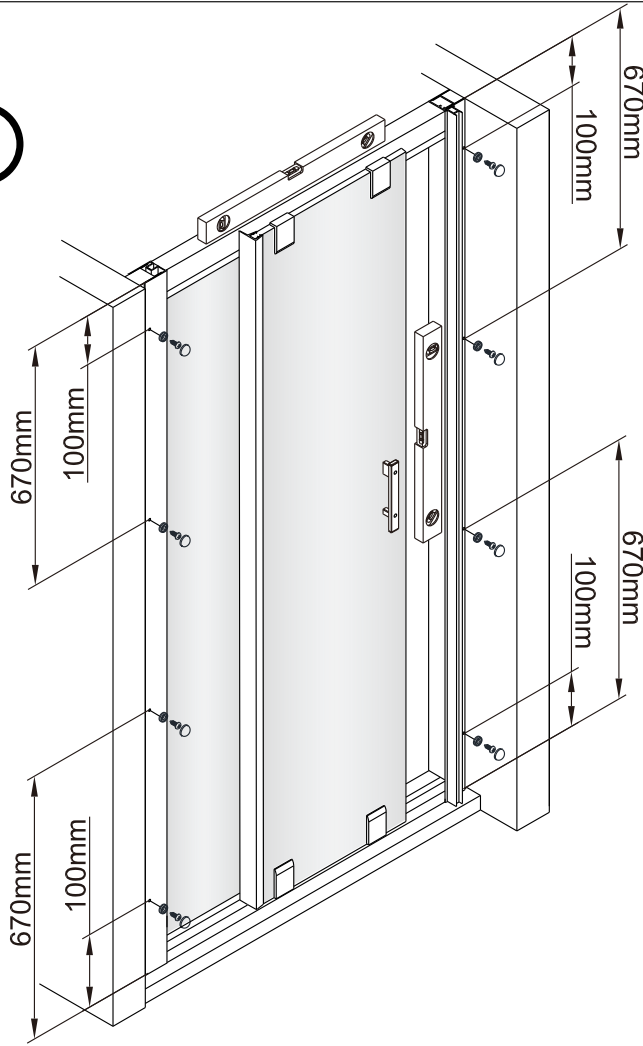
6



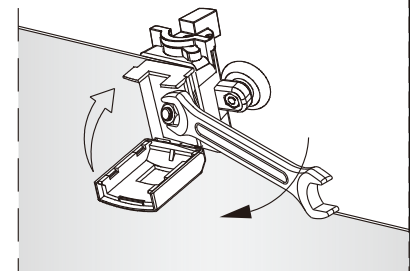
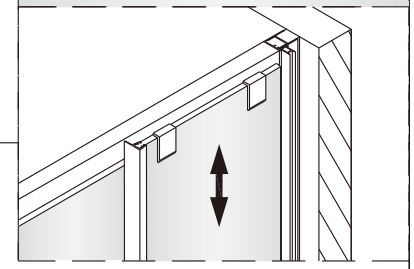
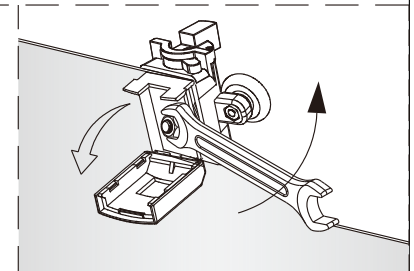
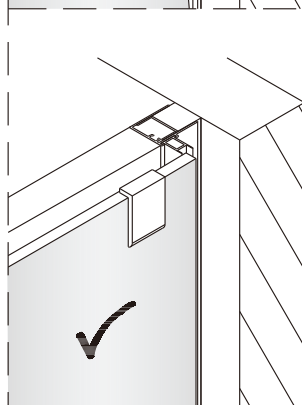
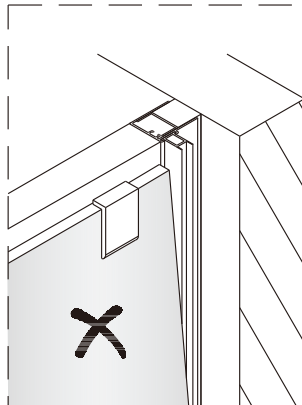
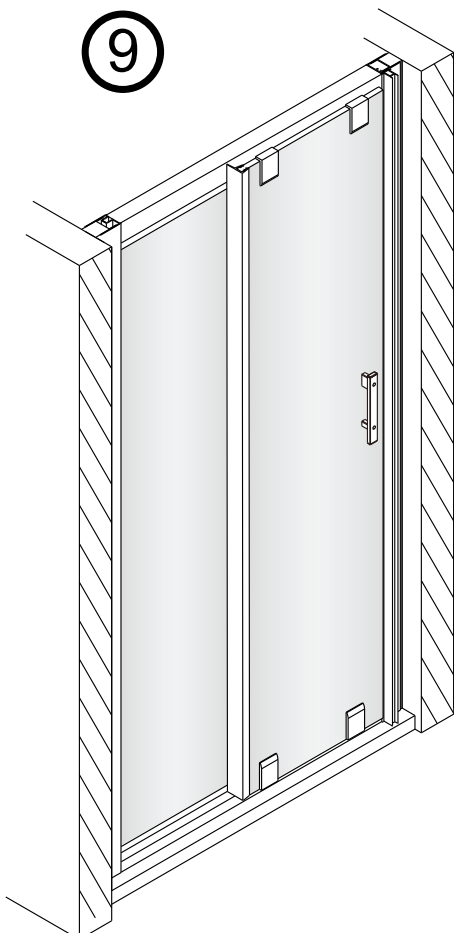
7



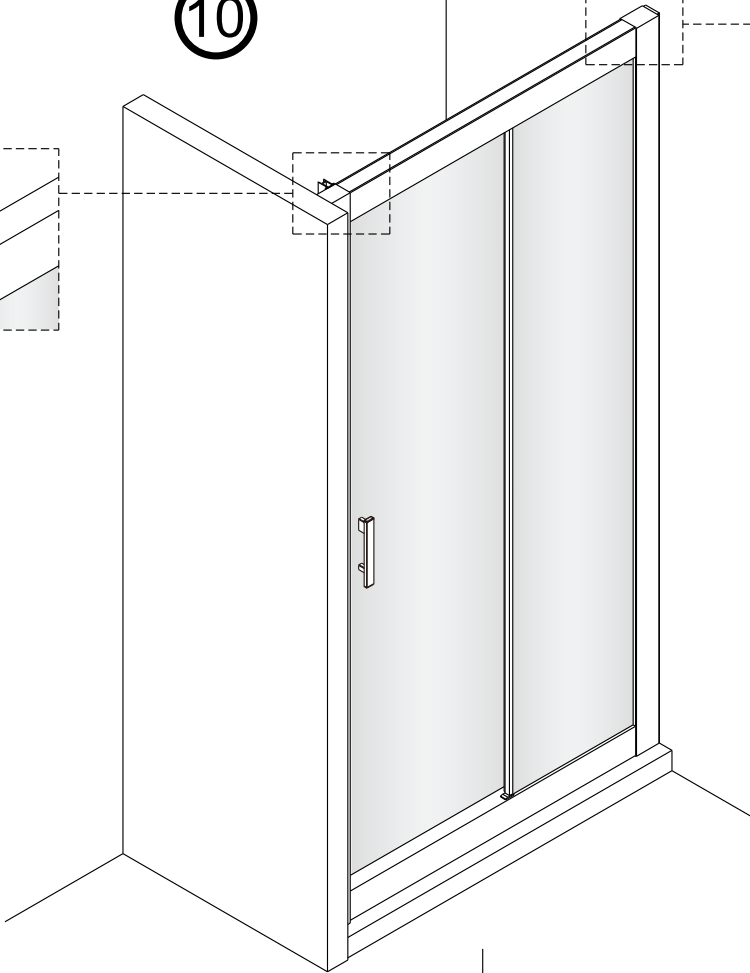
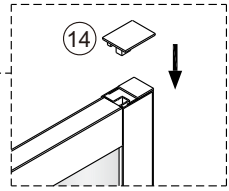
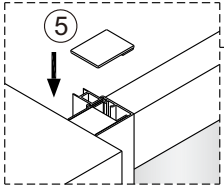
8



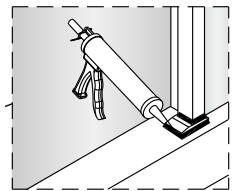
9



10



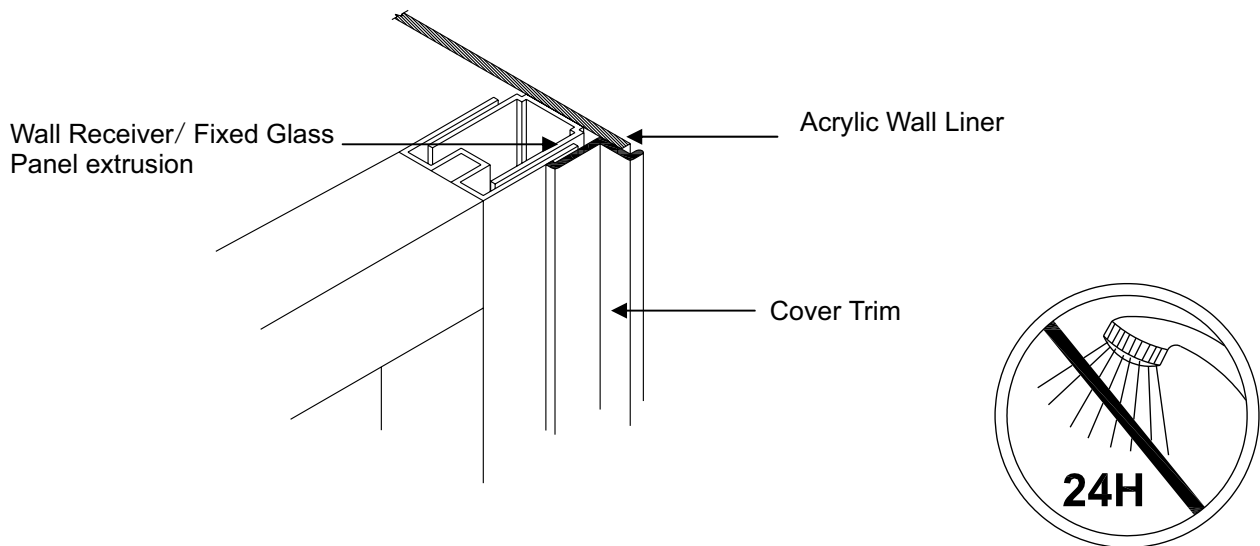
11



Step 12 Fitting Cover trims (For acrylic wall installations only)

The Cover Trim is provided to cover the exposed vertical edge of the wall liner and is the final step of the installation.

To fit the Cover trim apply small vertical beads of silicone down the Wall Receiver/ Fixed glass panel extrusion and the exposed acrylic wall liner. Embed the Cover trim into the silicone and allow to cure. If the liner extends more than 10mm it may need to be trimmed prior to fitting the Cover Trim



For further information contact:

OPR Ltd, 54-58 Hillside Rd, Private Bag 40902 Glenfield, Auckland 0747, New Zealand
Telephone (09) 444 3780, Email info@clearlite.co.nz.