

PRODUCT SPECIFICATIONS

# LUNA ROUND 1200X800 SHOWER

ROUND, 2 WALL, CENTRE WASTE



## SHOWER ENCLOSURE

CONFIGURATION	2 wall round shower
WIDTH (mm)	1200
DEPTH (mm)	800
HEIGHT (mm)	1970 (including tray)

## SURESEAL™ TRAY

FINISH	Gloss white
MATERIAL	Acrylic, fiberglass reinforced
WASTE POSITION	Centre
ORIGIN	Aotearoa / New Zealand

## SLIDING DOOR SET

FINISHES	White Bright
MATERIAL	Aluminium frame 6mm toughened safety glass (door) 5mm toughened safety glass (return)
ORIGIN	PRC

## FLAT WALL LINER

FINISH	Gloss white
MATERIAL	Acrylic
ORIGIN	Aotearoa / New Zealand

## PRODUCT CODES & FINISHES



1LU2W28RFLRX

White



1LU2B28RFLRX

Bright

## NOTES

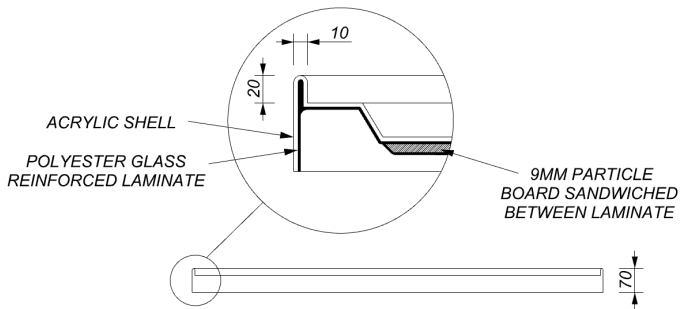
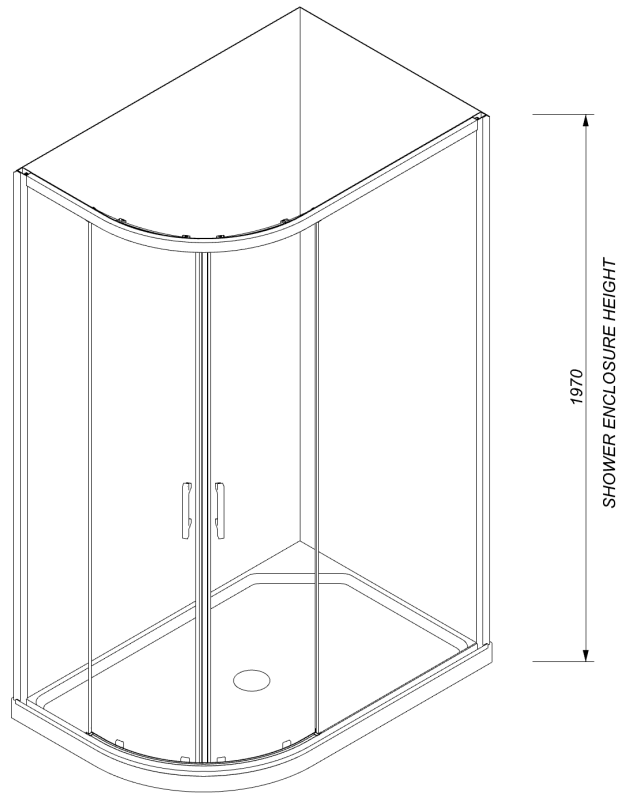
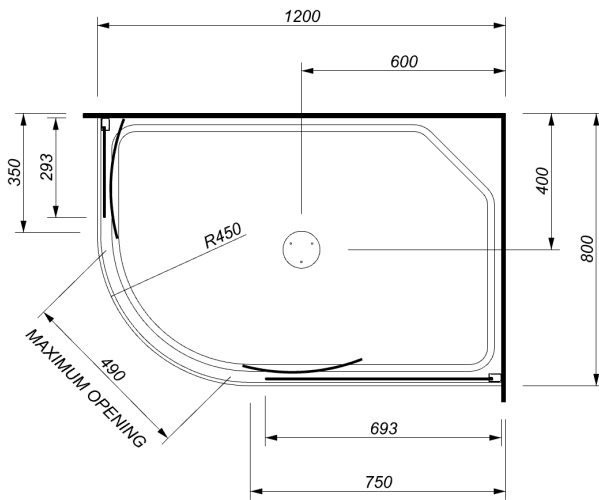
- 10 year warranty for shower enclosure, 12 months warranty for seals\*
- Included - Easy Clean Waste
- Included - silicone and showerbond for installation\*\*
- Optional - corner waste position available\*\*
- Optional - moulded liner available\*\*
- Optional - glass shelves sold separately\*\*

MAY 2024

ALL MEASUREMENTS ARE NOMINAL.  
\*WARRANTIES APPLY TO RESIDENTIAL DOMESTIC USE ONLY. WARRANTY IS VOID IF PRODUCT IS NOT  
INSTALLED ACCORDING TO OUR SPECIFICATIONS.

\*\*REFER TO WEBSITE FOR FURTHER INFORMATION ON INSTALLATION GUIDE AND PRODUCT OPTIONS.  
CLEARLITE.CO.NZ

TECHNICAL SPECIFICATIONS  
**LUNA ROUND 1200X800 SHOWER**  
ROUND, 2 WALL, CENTRE WASTE



MAY 2024

ALL MEASUREMENTS ARE NOMINAL.  
\*WARRANTIES APPLY TO RESIDENTIAL DOMESTIC USE ONLY. WARRANTY IS VOID IF PRODUCT IS NOT INSTALLED ACCORDING TO OUR SPECIFICATIONS.  
\*\*REFER TO WEBSITE FOR FURTHER INFORMATION ON INSTALLATION GUIDE AND PRODUCT OPTIONS.  
CLEARLITE.CO.NZ