

PRODUCT SPECIFICATIONS

# CASHMERE 750 DOUBLE DWR WALL VANITY

GENERIC CODE - 4CAS075DMWH



## CABINET

INSTALLATION	Wall Hung
CONFIGURATION	2 soft-close Drawers
MATERIAL	Moisture Resistant Board
WIDTH (mm)	740
DEPTH (mm)	445
HEIGHT (mm)	572
ORIGIN	Aotearoa / New Zealand

## VANITY TOP

FINISH	Gloss White
MATERIAL	Vitreous China
TAP HOLE	Yes
OVERFLOW	Yes
WASTE SIZE	Suits 32mm and 40mm waste traps
WASTE INCLUDED	No
WIDTH (mm)	750
DEPTH (mm)	460
ORIGIN	PRC

## PRODUCT CODES & FINISHES

			
4CAS075DW01	4CAS075DW02	4CAS075DW23	4CAS075DW27
White Melamine	Ultra Gloss White - Front Panels Only	Baroque	Ranfurly Oak
			
4CAS075DW30	4CAS075DW31	4CAS075DW32	4CAS075DW33
Hickory Walnut	Blackened Elm	Rural Oak	Indian Ink
			
4CAS075DW34	4CAS075DW35	4CAS075DW37	4CAS075DW40
Perfect White	Friar Grey	Green Slate	Triple Duck Egg
			
4CAS075DW41	4CAS075DW44	4CAS075DW82	4CAS075DW90
Tusk Quarter Napa	Anthracite	Nordic Ash	Borders Oak
			
4CAS075DW93			
Charred Oak			

## NOTES

- 5 year warranty \*
- Cabinets made from moisture resistant board with PUR bonding technology are sustainably sourced from FSC certified NZ Radiata Pine.
- Waste cutout in top drawer only.
- Included - Brushed Nickel handle(s).
- Optional Upgrade - Black or Gunmetal handle(s). \*\*
- Optional - Pop-Up Waste. \*\*

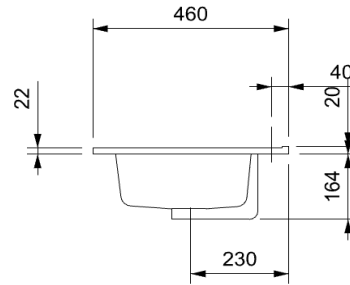
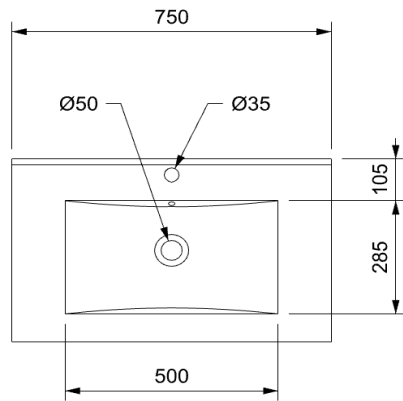
ALL MEASUREMENTS ARE NOMINAL.

\*WARRANTIES APPLY TO RESIDENTIAL DOMESTIC USE ONLY. WARRANTY VOID IF PRODUCT IS NOT INSTALLED ACCORDING TO OUR SPECIFICATIONS.

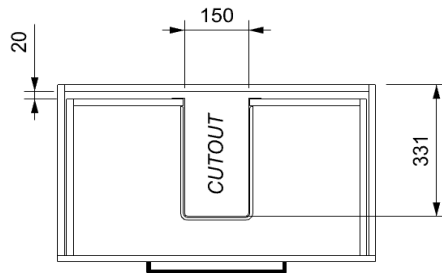
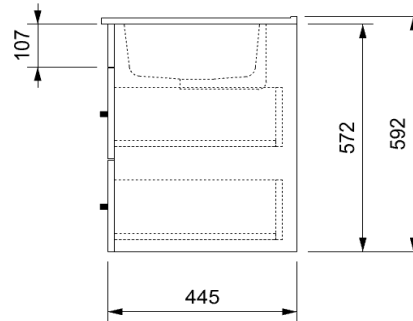
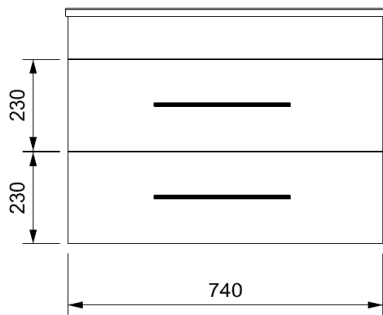
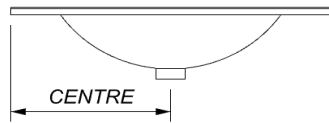
\*\*FOR FURTHER INFORMATION ON BIPR, INSTALLATION GUIDE AND PRODUCT OPTIONS PLEASE REFER TO THE WEBSITE.

CLEARLITE.CO.NZ

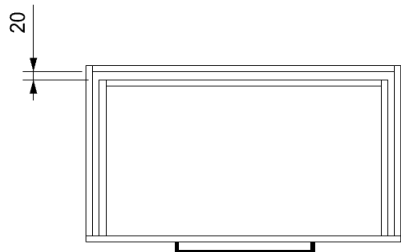
# CASHMERE 750 DOUBLE DWR WALL VANITY



INTERNAL BASIN DEPTH  
135 mm



TOP DRAWER



BOTTOM DRAWER

ALL MEASUREMENTS ARE NOMINAL.  
 \*WARRANTIES APPLY TO RESIDENTIAL DOMESTIC USE ONLY. WARRANTY VOID IF PRODUCT IS NOT INSTALLED ACCORDING TO OUR SPECIFICATIONS.  
 \*\*FOR FURTHER INFORMATION ON BPIR, INSTALLATION GUIDE AND PRODUCT OPTIONS PLEASE REFER TO THE WEBSITE.  
 CLEARLITE.CO.NZ