



Platinum Swing Panel Installation Instructions



The Standard Platinum Swing Panel is designed to fit baths with a perimeter lip no taller than 20mm. If installing onto baths without a perimeter lip an optional sill kit is available and should be fitted. This must be purchased prior to commencing installation of the Swing Panel as it cannot be fitted retrospectively

Components

1. Door
2. Hinge Panel
3. Vertical Wall Receiver
4. Chrome Hinge (2)
5. Wall Bracket - Chrome (2)
6. Door Brace (glass)
7. Brace Connector - Chrome
8. Hinge Panel Sill
9. Vertical deflector
10. Drip seal

Installation kit, comprising of the following:

6 x No.6 x 6 mm stainless steel pan head square drive screws. Use 3.0mm drill.

6 x No.6 screw covers.

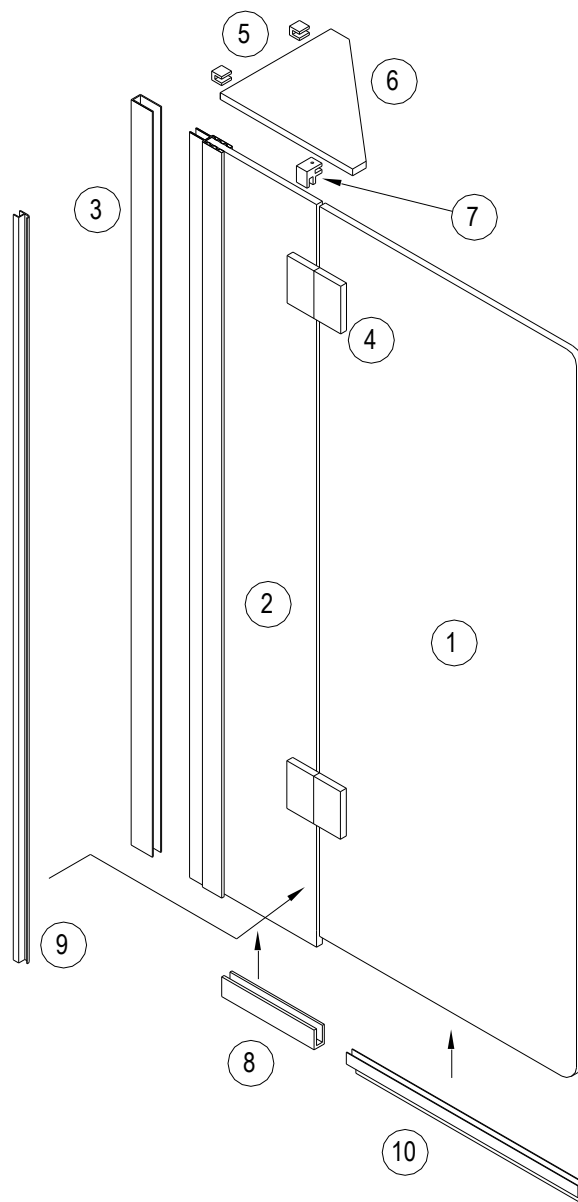
6 x No.6 x 38 mm stainless steel pan head square drive screws. Use 3.0 mm drill bit

2 x 30 mm Door installation spacer blocks

1 x Alignment gauge

2 x wood packers

1 x Set of Instructions



The following tools are required.

- Drill
- 3.0 and 4.5 mm drill bits
- Spirit level
- Masking tape
- Tape measure
- Caulking gun
- No.1 Square drive screw driver
- Pozi screw driver
- Cleaning materials.
- Pencil
- Clear RTV Silicone (not supplied)

Pre-installation Note:

The Platinum Swing Panel can be installed right or left hand hinged. The following instructions shows a left hand hinged screen being installed

Instructions for installing Platinum Swing Panel to a bath with a perimeter lip

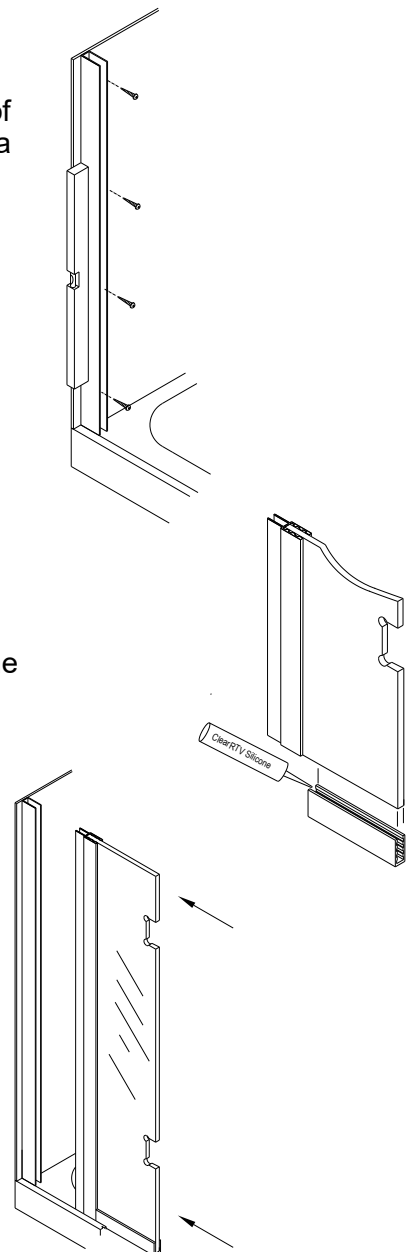
(Please refer to special instructions on pages 6, 7 & 8 if fitting to a bath without a perimeter lip)

Installing the Hinge Panel

1. Position the Vertical Wall Receiver hard against the inside edge of the bath upstand and against the wall. Ensure it is plumb using a spirit level.
2. Drill 4 clearance holes in the Vertical Wall Receiver using the 4.5 mm drill bit, (top, bottom & 2 evenly spaced between).

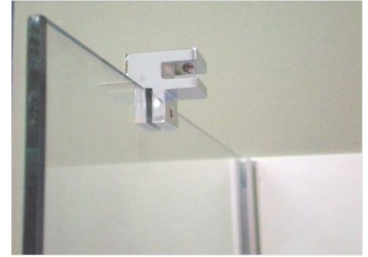
Using a 3.0mm drill bit, drill through the clearance holes into the wall liner and the wall (preferably locating into a stud or a nog, alternatively a toggler system can be used). Fix in place using the No.6 x 38 mm square drive screws provided.

3. Attach the Hinge panel sill to the glass using clear RTV silicone (not supplied)
4. Slide the Hinge Panel into the Vertical Wall Receiver ensuring it is plumb and level. Fix into position using 4 of the No.6 x 6mm screws spaced equidistantly. Cover the screw heads with the caps provided



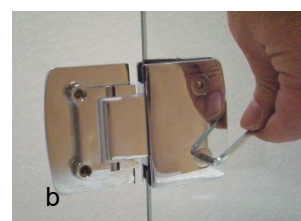
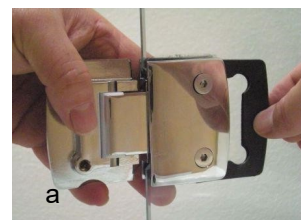
Installing the Brace

1. Position the Glass brace bracket to the top of the Take-up panel approximately 130mm in from the glass edge, with the grub screws facing inside the shower. Ensure the gasket is in place, then tighten the inside grub screw.
2. Attach the Glass Brace Wall Brackets to the Glass bracket approx 30 mm in from each end
3. Temporarily fit the Glass Brace into the Glass Brace bracket and mark the positions of the Wall Brackets on the wall
4. Remove the Glass brace and attach the Wall brackets to the wall using the No.8 x 30 countersunk screws . Ensure they are screwed into a solid stud or nog or alternatively use a suitable wall anchor system. (not provided)
5. Once the Wall brackets are in position slide the Glass brace into the brackets. Ensure the gaskets are in place, then tighten all grub screws.



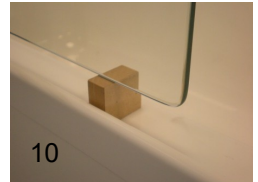
Installing the Hinges

8. Disassemble the hinge and position the non pivoting side of the hinge into the Hinge Panel with the screw ports facing to the inside.
 - a. Ensure that a rubber gasket is placed on each side of the glass to avoid metal to glass contact. (Tip: When fitting the inside gaskets it is easier to loosely fix the inside hinge plate first then slide the gaskets in behind)
Please Note: Only the 2.0mm thick gaskets are required for this installation, discard the 1.0mm gaskets
 - b. Moderately tighten the socket heads screws
 - c. Repeat for the other hinge

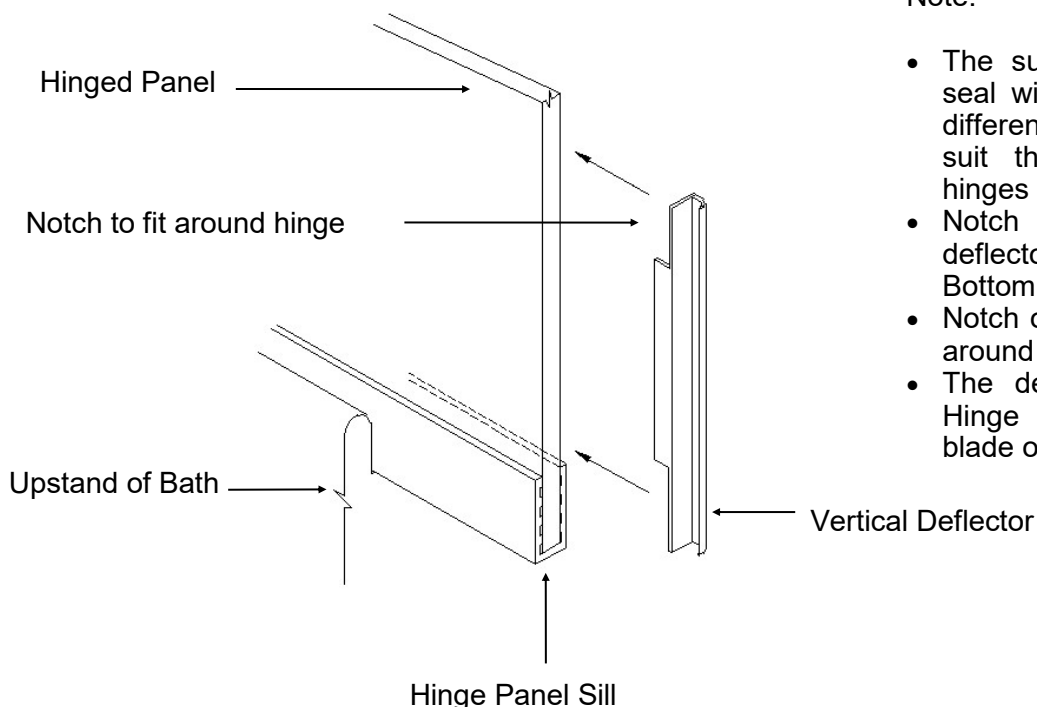


Installing the Door

9. Tape the 30 mm Door installation spacer blocks to the top edge of the bath where the glass door will reside
 10. Ensure the outside rubber gaskets are fitted to the pivoting side of the hinges.
 11. Lift the Door glass and rest onto the spacer blocks. Align with the hinges.
 12. Fit the inside rubber gaskets between the glass and the hinge back plates (Use the same tip as mentioned earlier)
 13. Lightly tighten the socket head screws
- Repeat for the other hinge
14. Using the Alignment gauge set the gap between the Hinge Panel and Door glass at the point of the hinges to 6mm
 15. Fully tighten the Hinge back plates
 16. Fully tighten the hinge screws on the Hinge Panel
 17. Remove the 30mm Spacer blocks



Installing the Vertical Deflector - Optional



Note:

- The supplied Vertical deflector seal will need to be cut into 3 different lengths and notched to suit the spacing around the hinges
- Notch out the bottom of the deflector to fit around the Bottom Channel
- Notch out rigid part of seal to fit around hinges
- The deflector attaches to the Hinge Panel with the flexible blade on the inside.

Special Instructions for installing Platinum Swing Panel to a bath without a perimeter lip

Sill Kit Components consist of

1. 15mm tall Hinge Panel Sill with clear gasket – replaces original 26mm sill supplied with Platinum Swing Panel
2. Door Sill
3. 1 Set of 180° chrome end caps
4. 1 Set of Flat chrome end caps

Installing the Hinge Panel (Instructions show a left hand hinge installation)

1. Position the Vertical Wall Receiver a minimum of 20mm in from the edge of the bath. Use a spirit level to ensure it is plumb

*** NOTE: IF FITTING TO CLEARLITE'S VARO 1520MM BACK TO WALL BATH ONLY SET THE WALL RECEIVER IN 13MM**

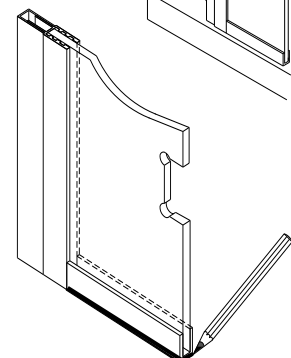
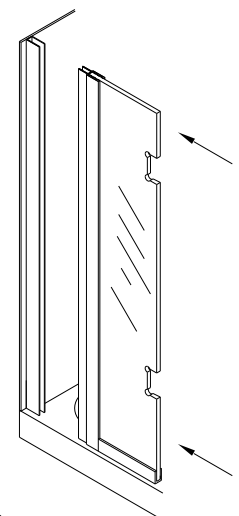
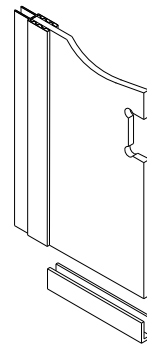
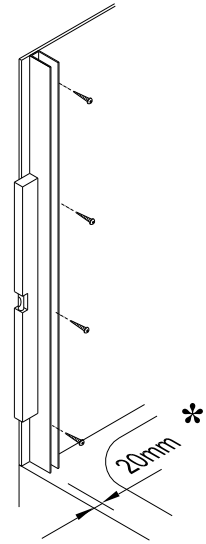
2. Drill 4 clearance holes in the Vertical Wall Receiver using the 4.5 mm drill bit, (top, bottom & 2 evenly spaced between).

Using a 3.0mm drill bit, drill through the clearance holes into the wall liner and the wall (preferably locating into a stud or a nog, alternatively a toggler system can be used). Fix in place using the No.6 x 38 mm square drive screws provided.

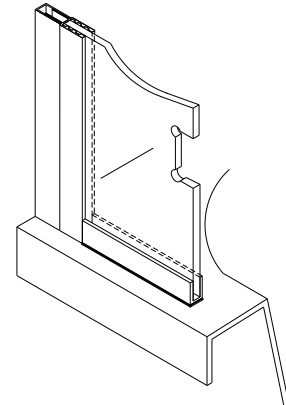
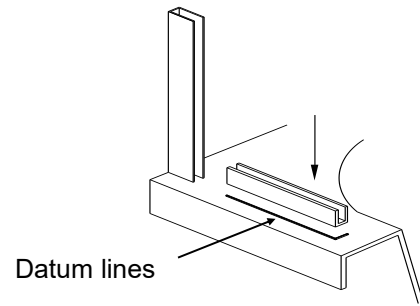
3. Attach the 15mm Hinge Panel sill to the glass (no sealant is required as the clear gasket will hold the sill to the glass). Ensure the sill is positioned hard against the vertical aluminium section. At this stage do not remove the masking from the double side tape on the underside of the sill

4. Slide the Hinge Panel into the Vertical Wall Receiver ensuring it is plumb and level.

5. Using a pencil mark the position of the Hinge Panel sill on the bath

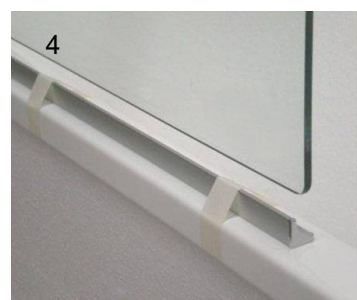
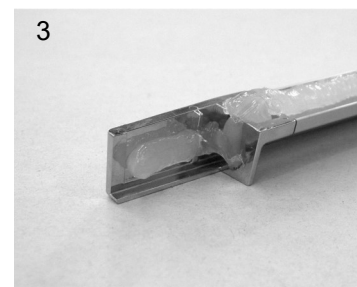
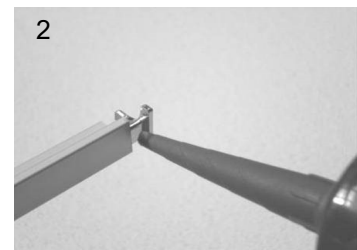
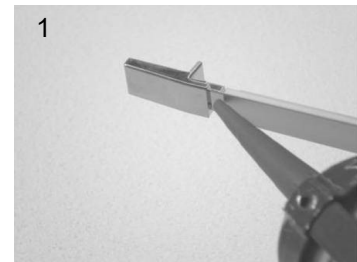


6. Remove the Hinge Panel from the Wall Receiver. Remove the Sill from the Hinge Panel and peel the paper masking from the double sided tape (underside of the Sill)
7. Take the Sill and carefully align and adhere to the datum lines. Once in position apply firm downward pressure to the sill
8. Slide the Hinge Panel into the Vertical Wall Receiver and the Sill ensuring it is plumb and level. Fix into position using 4 of the No.6 x 6mm screws spaced equidistantly. Cover the screw heads with the caps provided
9. Install the Glass brace, Door glass and vertical deflector as described in the earlier sections of these instructions



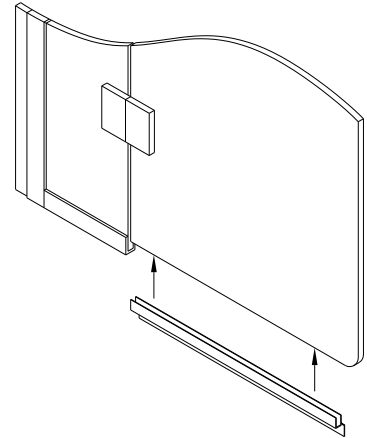
Installing the Door Sill

1. Take the matching 180° Chrome End cap and apply a smear of Clear RTV Silicone (not supplied) to the front and bottom faces of the spigot. Fit into the end of the Door Sill as shown.
2. To the other end fit the corresponding Flat end cap in the same way
3. Apply a continuous bead of Clear RTV Silicone along the bottom of the Door sill and in the Chrome End cap recess as shown.
4. Position the Door sill to the end of the Hinge Panel and Parallel to the bath edge. Tape the sill securely into place. Remove any excess silicone.



Installing the Drip Seal

Fit drip seal to lower edge of the door glass with the flexible blade on the inside



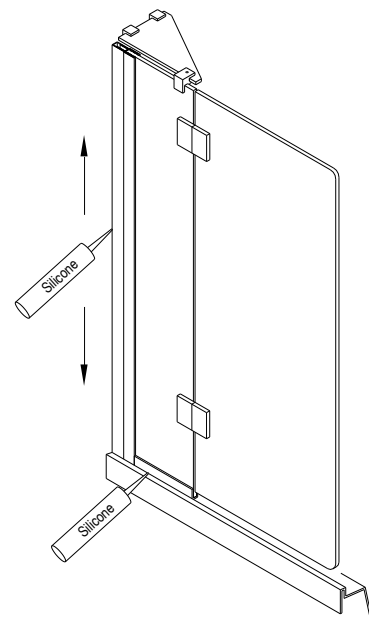
Sealing the Platinum Swing Panel – Bath with perimeter lip

To complete the installation the Hinge Panel can now be sealed in place using Clear RTV Silicone (not supplied) With a dry cloth clean the area to be sealed. Mask the area before applying the silicone. Apply a fine bead of silicone around the **outside** edge of the Vertical Wall Receiver only and seal between the upstand of the bath and the bottom of the Hinge panel.

Remove the masking tape before the silicone cures. Allow 24 hours for the silicone to fully cure, longer cure times may be required due to temperature variations. Please refer to the silicone manufacturers recommendations in regards to this.

Handy Hint

To achieve a smoother finish, you can spray with soapy water and tool off with an ice block stick or similar. Remove the masking tape before the silicone begins to cure.



Sealing the Platinum Swing Panel – Bath without a perimeter lip

Mask the area before applying the Silicone. Apply a bead of Clear RTV Silicone (not supplied) around the **outside** edge of the Vertical Wall Receiver only (1), along Hinge panel sill (2) and the junction between the Hinge Panel sill and the Vertical aluminium profile (3)

Remove the masking tape before the silicone cures. Allow 24 hours for the silicone to fully cure, longer cure times may be required due to temperature variations. Please refer to the silicone manufacturers recommendations in regards to this.

Handy Hint

To achieve a smoother finish, you can spray with soapy water and tool off with an ice block stick or similar. Remove the masking tape before the silicone begins to cure.

