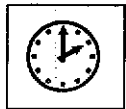
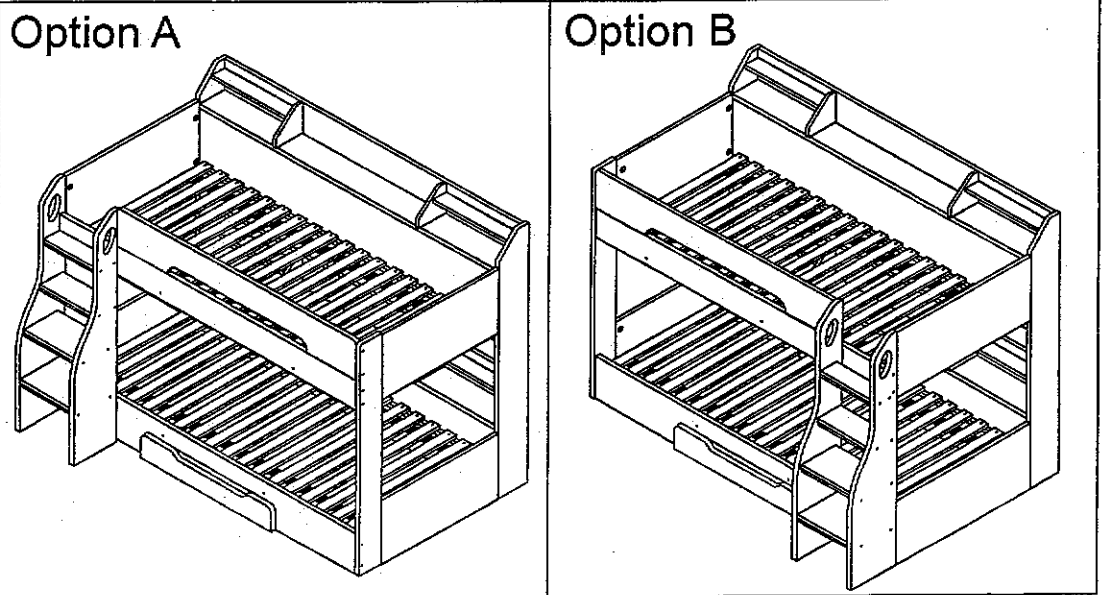


# ASSEMBLY INSTRUCTIONS

1 / 22

MODEL : CK 6215  
PRODUCT SIZE : 920mm x 1930mm

Thank you for purchasing this product. Before starting assembly we suggest you spend a short time reading through this leaflet, then follow the simple step by step guide.  
Two persons are needed to assemble this product.



\* Approximately 2 Hours



\* 2 People Required

\* **WARNING** : Top Bunks and elevated Beds are dangerous and are not recommended for children under the age of 6.

The upper bunk must be more than 2 m from any ceiling fan.

## IMPORTANT INFORMATION

1. This bunk bed is suitable for a single mattress or foam bed 920mm x 1870mm. Thickness of mattress should not exceed 200mm.
2. Children should be discouraged from playing on this bunk bed.
3. The bunk bed should be checked periodically by the owner to ensure that the guardrail, ladder and other components are maintained in the correct position and state of repair and that all connectors are tight.
4. A bunk bed is not to be placed near a ceiling fan unless the distance between the closest points on the ceiling fan and bunk bed is at least 2 metres.
5. Use guardrails on both sides of upper bunk.
6. Prohibit horseplay on or under bed(s).
7. Prohibit more than one person on upper bunk.
8. Use ladder for entering and leaving upper bunk.
9. If the bunk bed will be placed next to the wall, the guardrail that runs the full length of the bed should be placed against the wall to prevent entrapment between the bed and the wall.
10. Fall from elevated beds can be fatal and death have occurred where children have fallen from elevated beds. This is relevant for all ages. The risk is greater for younger children.

The risk of injury or death from a fall from an elevated bed compared to a non elevated bed is :

- 10 x greater for 7-8 year olds
- 7 x greater for 9-10 year olds
- 3 x greater for 11-12 year olds

11. Top Bunks and elevated Beds are dangerous and are not recommended for children under the age of 6.

## STRANGULATION HAZARD:

12. Never attach or hang items to any part of the bunk bed that are not designed for use with the bed for example, but not limited to hook, belt, and jump ropes.

### Tools Required For Assembly



Philips Screw Driver

### Tools Not Use



DO NOT USE POWER TOOLS TO ASSEMBLE THIS PRODUCT. USE OF POWER TOOLS WILL INVALIDATE ANY CLAIM AND MAY DAMAGE THIS PRODUCT MAKING IT UNSAFE.



DO NOT USE HAMMER

# PARTS LIST

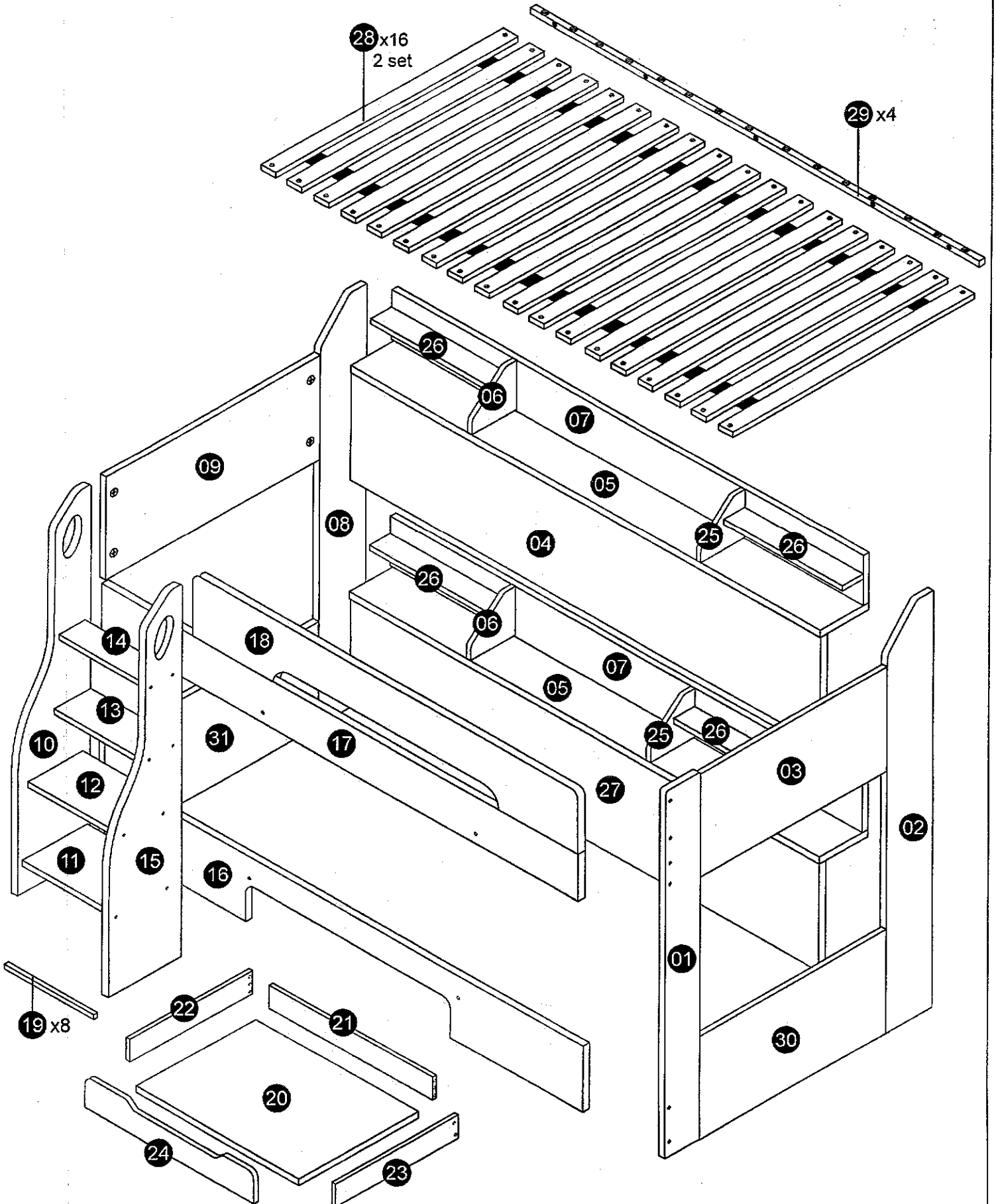
Model: CK 6215

Carton 1 of 4			Carton 3 of 4		
No.	Part Name	Pcs			
			③	CENTER PANEL UPPER (RIGHT)	1
①	RIGHT PANEL FRONT	1	⑨	CENTER PANEL UPPER (LEFT)	1
⑩	LEFT PANEL (LADDER)	1	⑳	BOTTOM PANEL (DRAWER)	1
⑪	1 ST STEP LADDER	1	㉑	BACK PANEL (DRAWER)	1
⑫	2 ND STEP LADDER	1	㉒	LEFT PANEL (DRAWER)	1
⑬	3 RD STEP LADDER	1	㉓	RIGHT PANEL (DRAWER)	1
⑭	4 TH STEP LADDER	1	㉔	FRONT PANEL (DRAWER)	1
⑮	RIGHT PANEL (LADDER)	1	⑳	CENTER PANEL LOWER (RIGHT)	1
⑯	SIDE PANEL (BOTTOM FRONT)	1	㉑	CENTER PANEL LOWER (LEFT)	1
⑰	SIDE PANEL LONG (TOP FRONT)	1			
⑱	SIDE PANEL SHORT (TOP FRONT)	1			
				Carton 4 of 4	
⑲	LADDER SUPPORT METAL	8	㉒	LVL BASE (2set)	32
㉑	BASE SUPPORT METAL	4			
	FITTING LIST				
	Carton 2 of 4				
②	RIGHT PANEL BACK	1			
④	SUPPORT PANEL UPPER	1			
⑤	BOTTOM PANEL (OPEN SHELF)	2			
⑥	SUPPORT PANEL SMALL LEFT (OPEN SHELF)	2			
⑦	BACK PANEL (OPEN SHELF)	2			
⑧	LEFT PANEL BACK	1			
⑳	SUPPORT PANEL SMALL RIGHT (OPEN SHELF)	2			
㉑	CENTER PANEL (OPEN SHELF)	4			
㉒	SUPPORT PANEL LOWER	1			

# PARTS LIST

3  
22


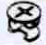




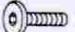



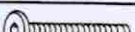
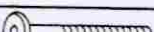






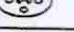


Model: CK 6215



# FITTING LIST

## Model: CK 6215

### Fitting List

No.	Part Name		Pcs
(A)	Cam Stud (5137) 		51
(B)	Cam 		51
(C)	M8 x 25mm Wood Dowel 		80
(D)	M6 x 40mm Wood Dowel 		6
(E)	15mm Chipboard Screw 		40
(F)	45mm Chipboard Screw 		31
(G)	M6 x 25mm Allen Bolt 		64
(H)	M6 x 30mm Allen Bolt 		16
(J)	M6 x 35mm Allen Bolt 		20
(K)	M6 x 40mm Allen Bolt 		16
(L)	M6 x 50mm Allen Bolt 		10
(M)	M6 x 60mm Allen Bolt 		6
(N)	M6 x 13mm Baller 		16
(P)	M6 JCN Nut 		10
(Q)	25mm Plate Nylon Castes 		4
(R)	Metal Support Plate (White) 		2
(S)	Sticker (White 13mm) 		12
(T)	Universal Cap 1026 		12
(U)	M6 Allen Wrech 		2
(V)	M6 x 12mm Allen Bolt 		8
(W)	PVC L Bracket (White Colour) 		8

### CAUTION

There are many small components used in the construction of this unit. These loose items should be kept away from young children whilst assembling your unit. As an extra precaution, screw cover caps should be permanently fixed in position. (Where applicable)

### USEFUL HINTS & TIPS

Two people will be required to assemble this unit

Please keep this assembly instruction for future reference

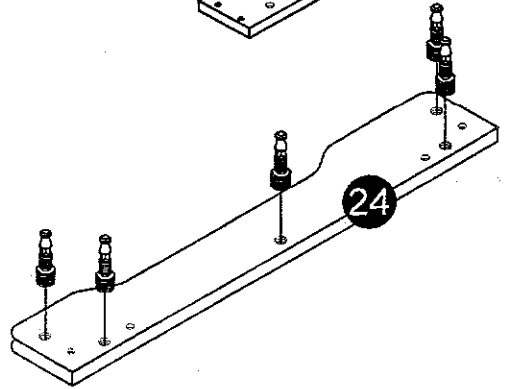
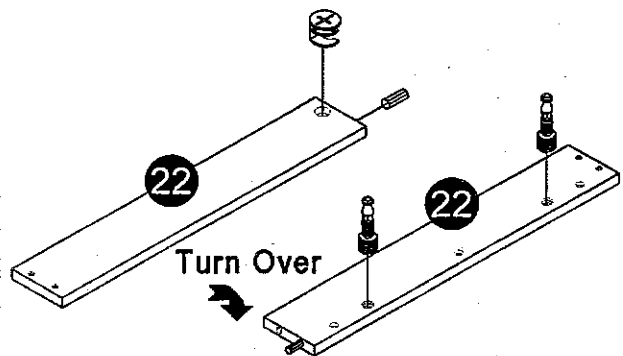
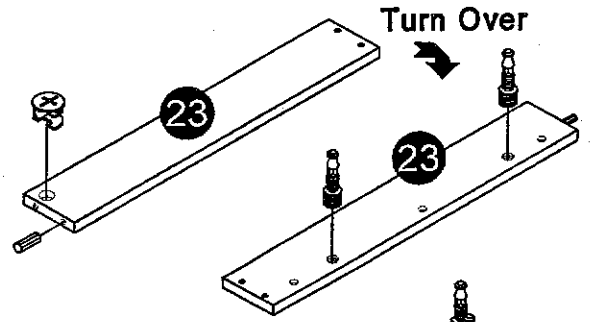
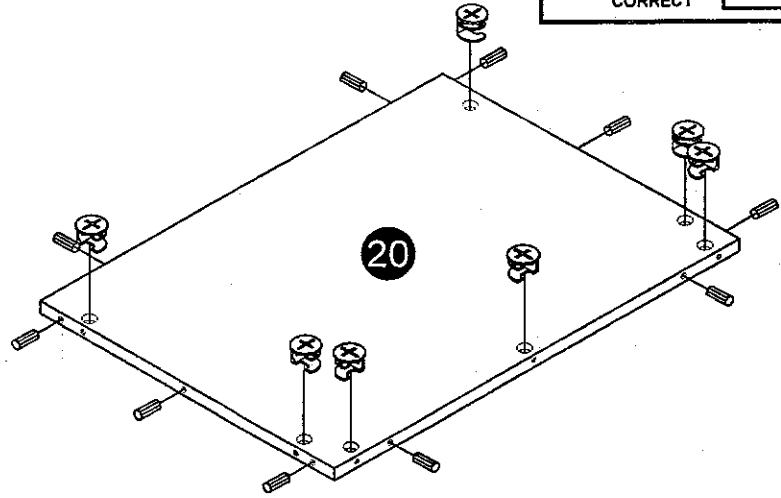
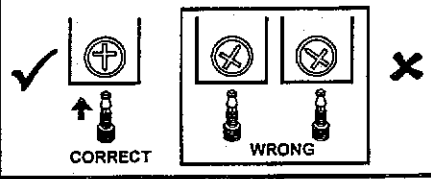
# GUIDE TO ASSEMBLY

5 / 22

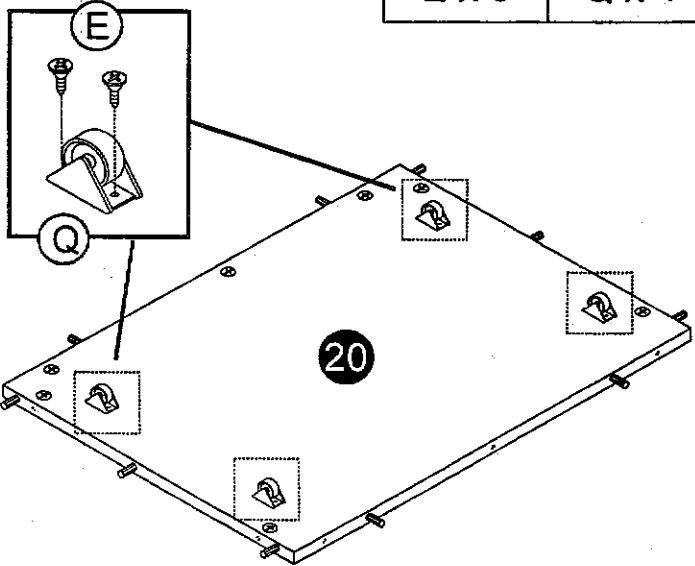
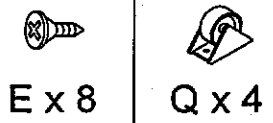
Model: CK 6215

## STEP 1

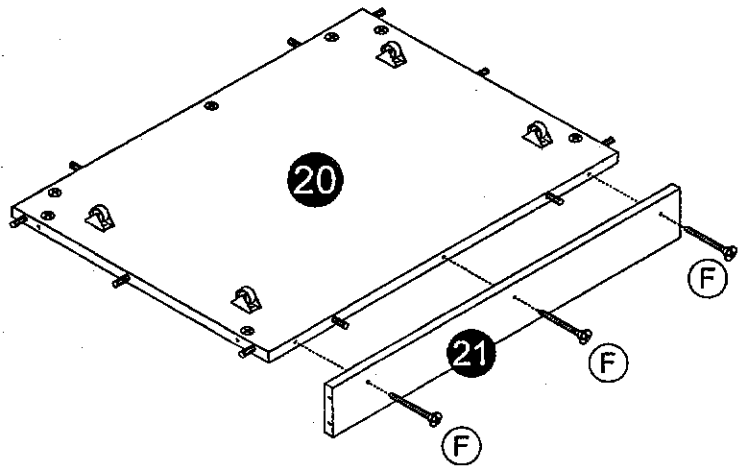
**WHEN FITTING CAMS**  
ENSURE STARTING POSITION IS CORRECT  
BEFORE YOU INSERT CONNECTING BOLT  
TURN CLOCKWISE UNTIL SECURE



## STEP 2



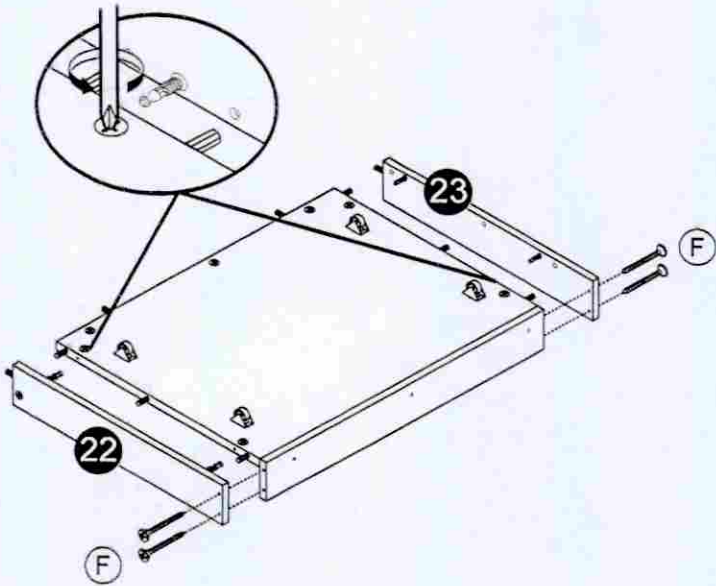
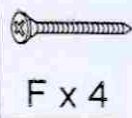
## STEP 3



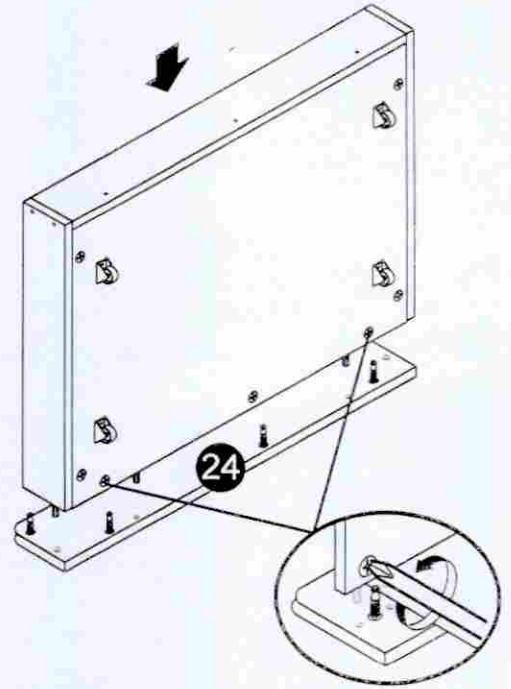
# GUIDE TO ASSEMBLY

Model: CK 6215

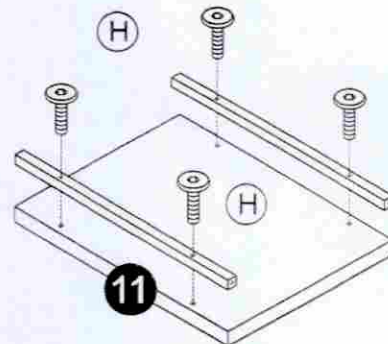
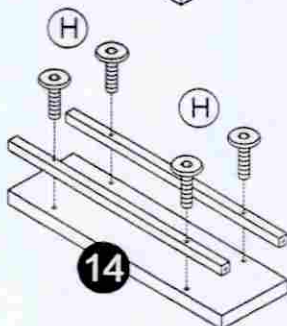
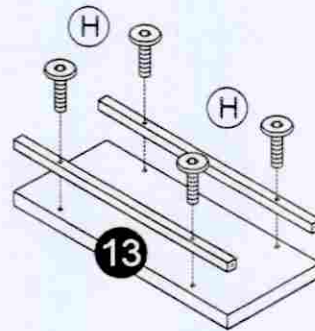
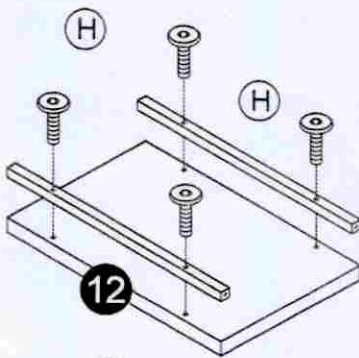
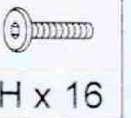
## STEP 4



## STEP 5



## STEP 6






# GUIDE TO ASSEMBLY

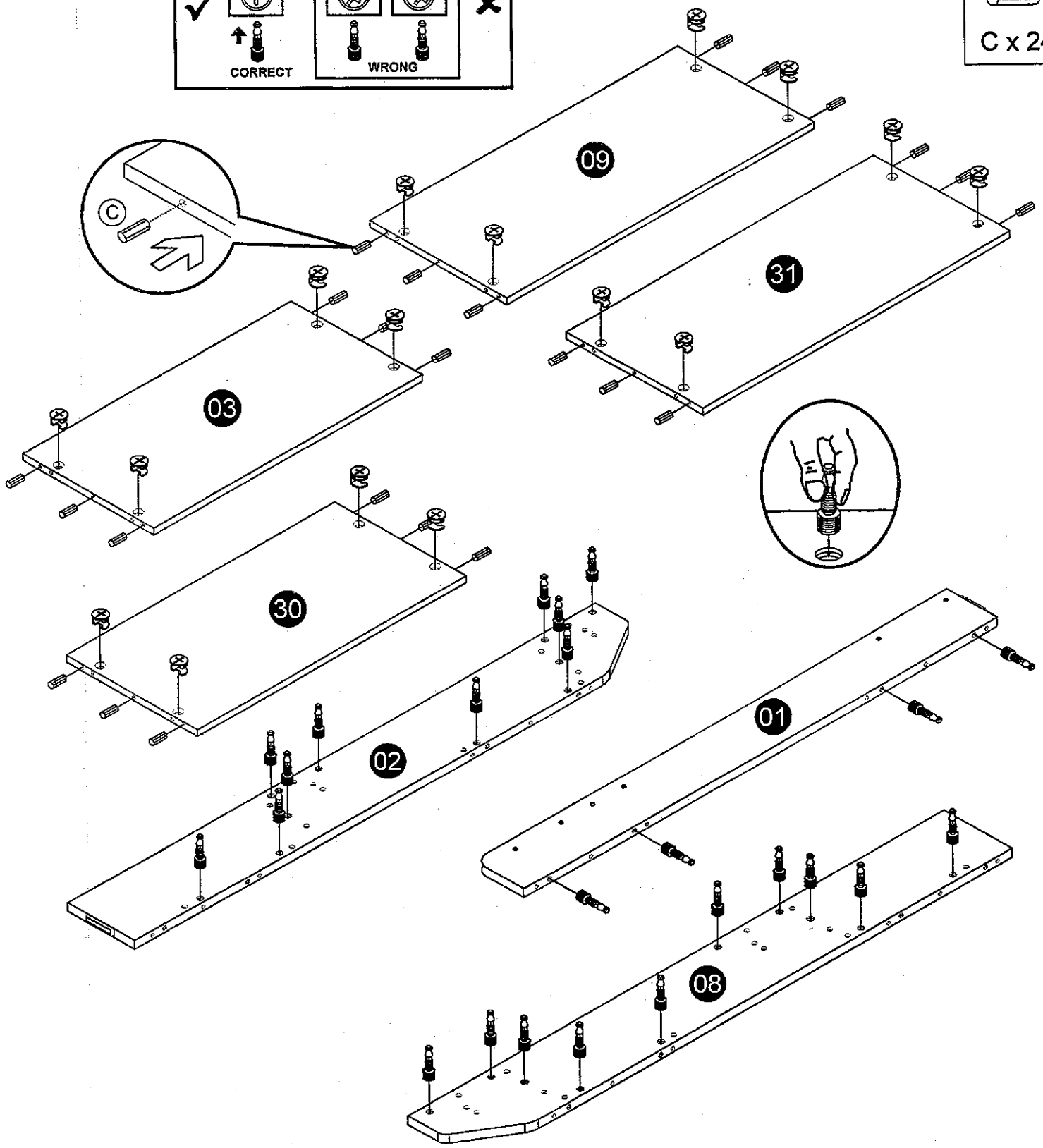
Model: CK 6215

## STEP 7

**WHEN FITTING CAMS**  
ENSURE STARTING POSITION IS CORRECT  
BEFORE YOU INSERT CONNECTING BOLT  
TURN CLOCKWISE UNTIL SECURE

**CORRECT**      **WRONG**





	
B x 16	A x 24
	
	C x 24

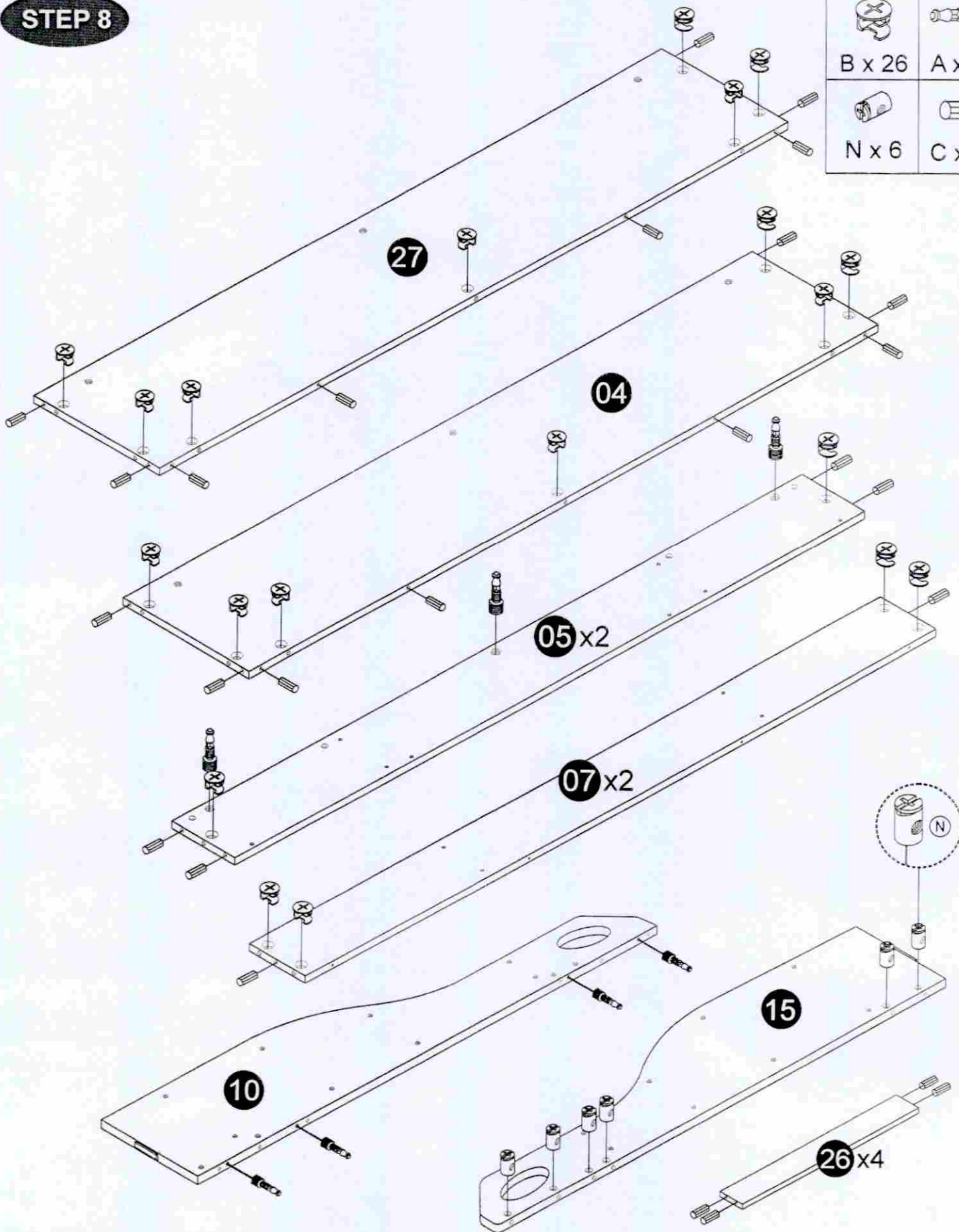


# GUIDE TO ASSEMBLY

Model: CK 6215

**STEP 8**

	
B x 26	A x 10
	
N x 6	C x 44



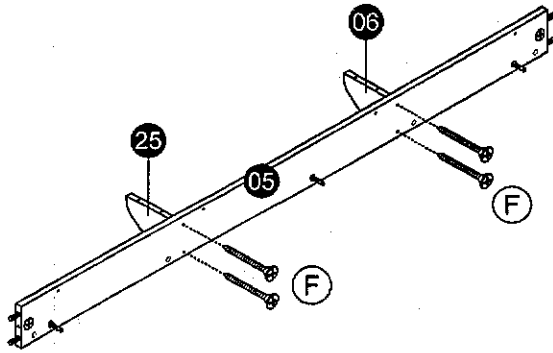
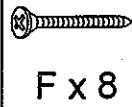


# GUIDE TO ASSEMBLY

9  
22

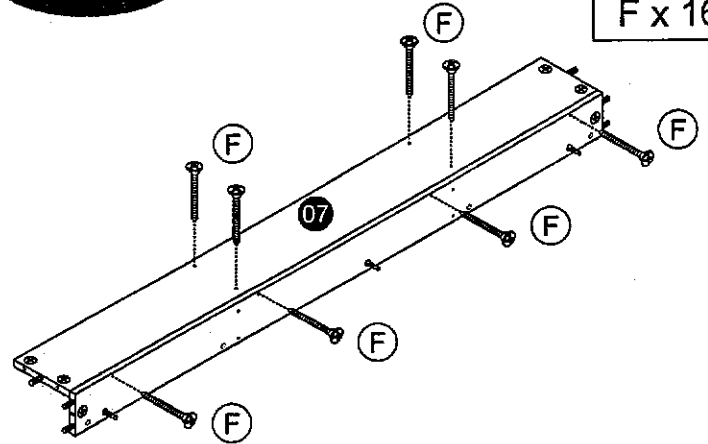
Model: CK 6215

**STEP 9**



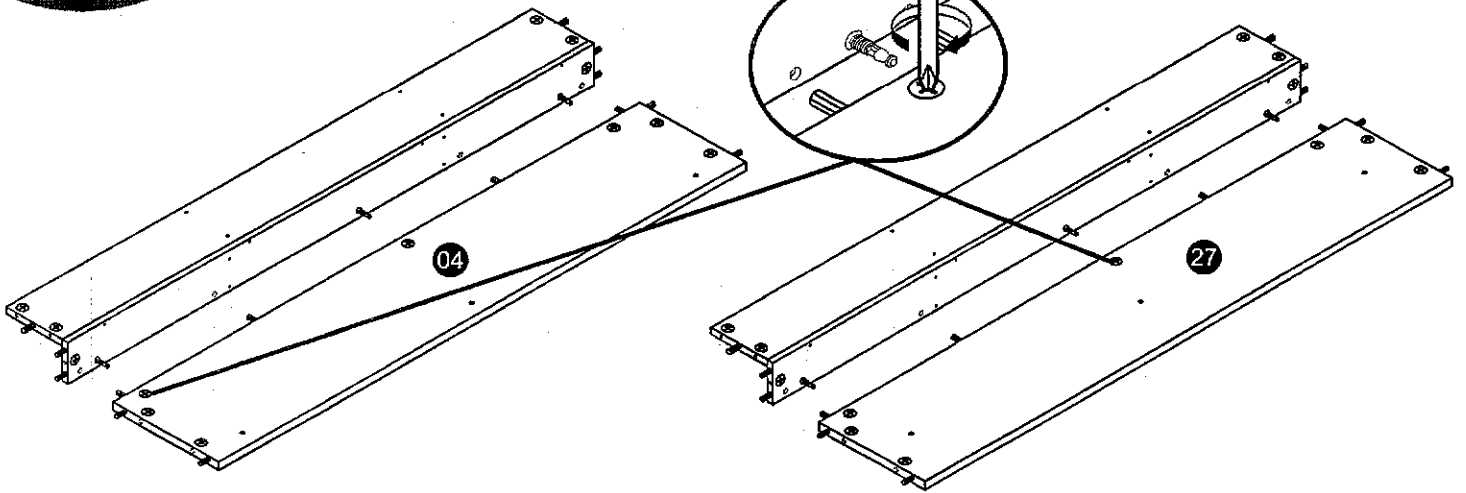
Do This Step 2 Times

**STEP 10**

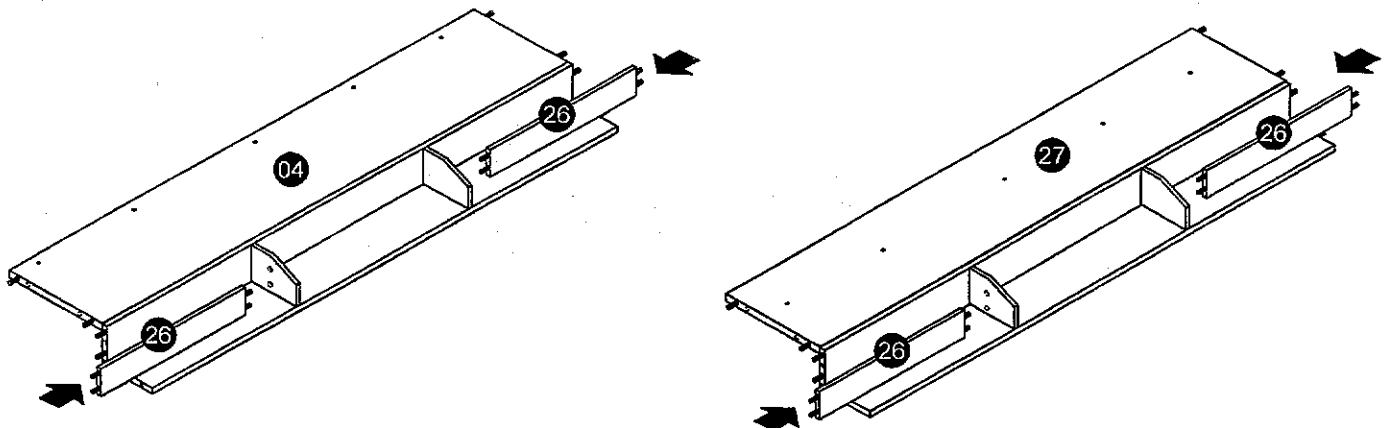


Do This Step 2 Times

**STEP 11**



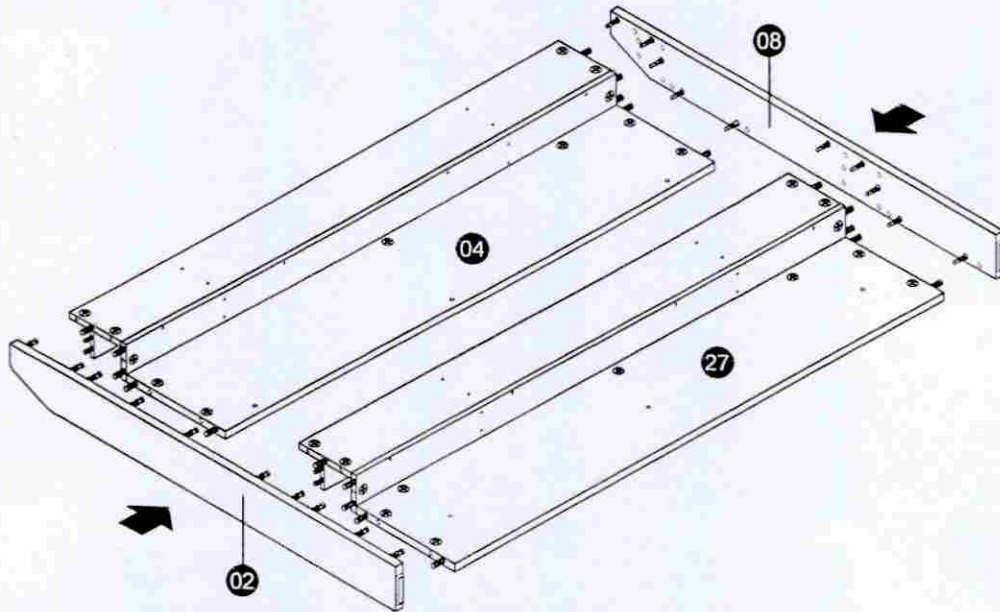
**STEP 12**



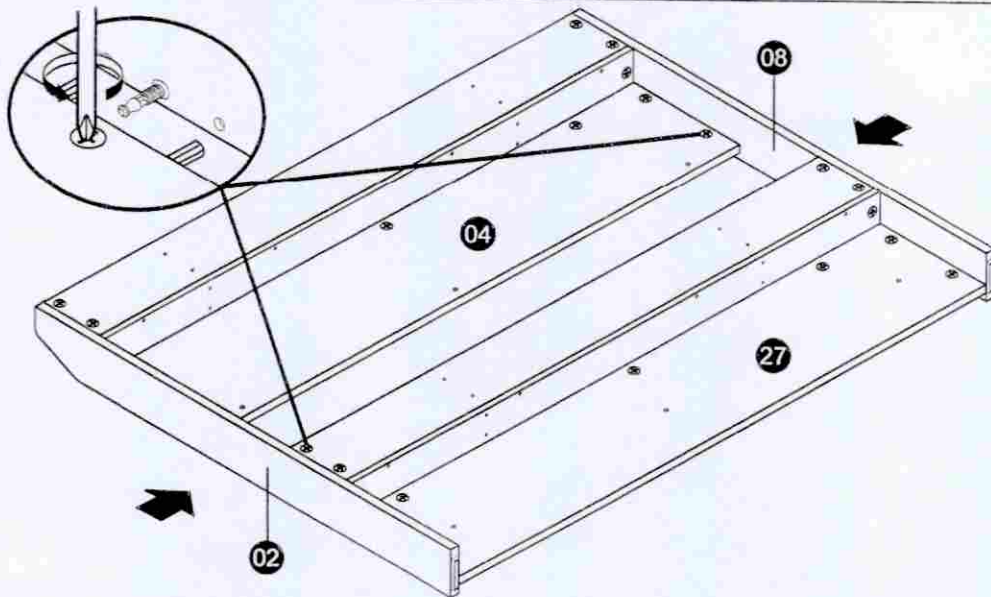
# GUIDE TO ASSEMBLY

Model: CK 6215

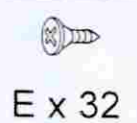
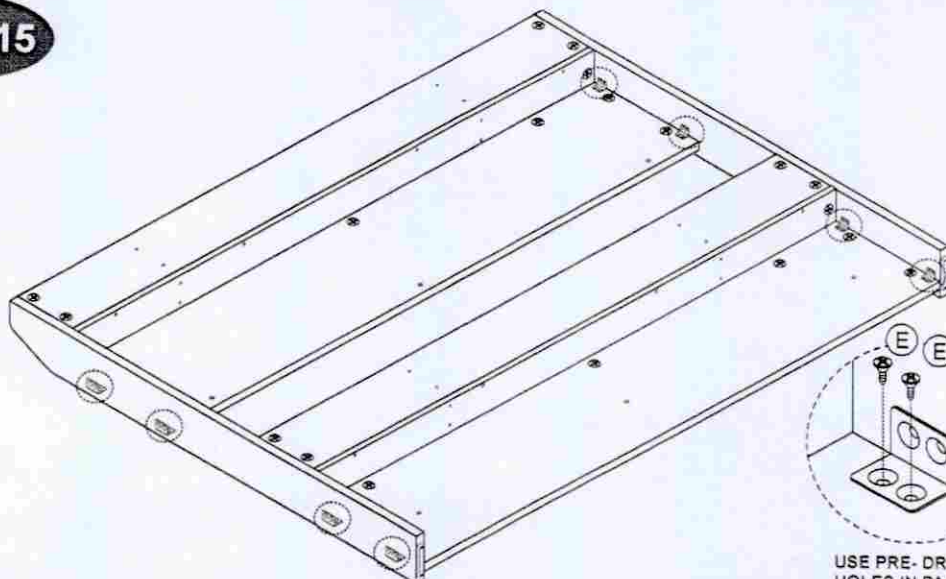
## STEP 13



## STEP 14



## STEP 15



USE PRE-DRILLED HOLES IN PART 4

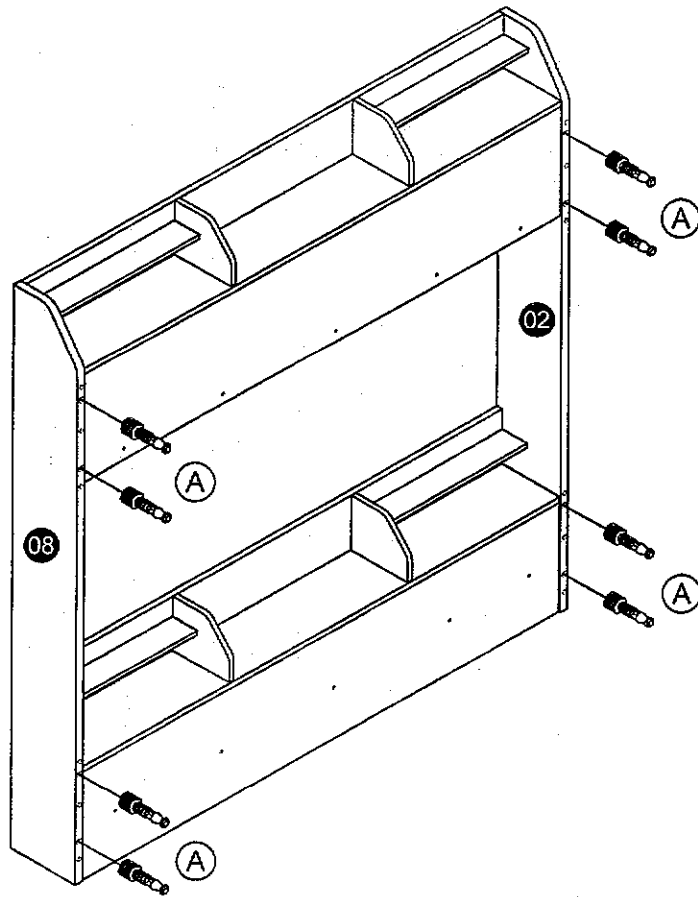
# GUIDE TO ASSEMBLY

Model: CK 6215

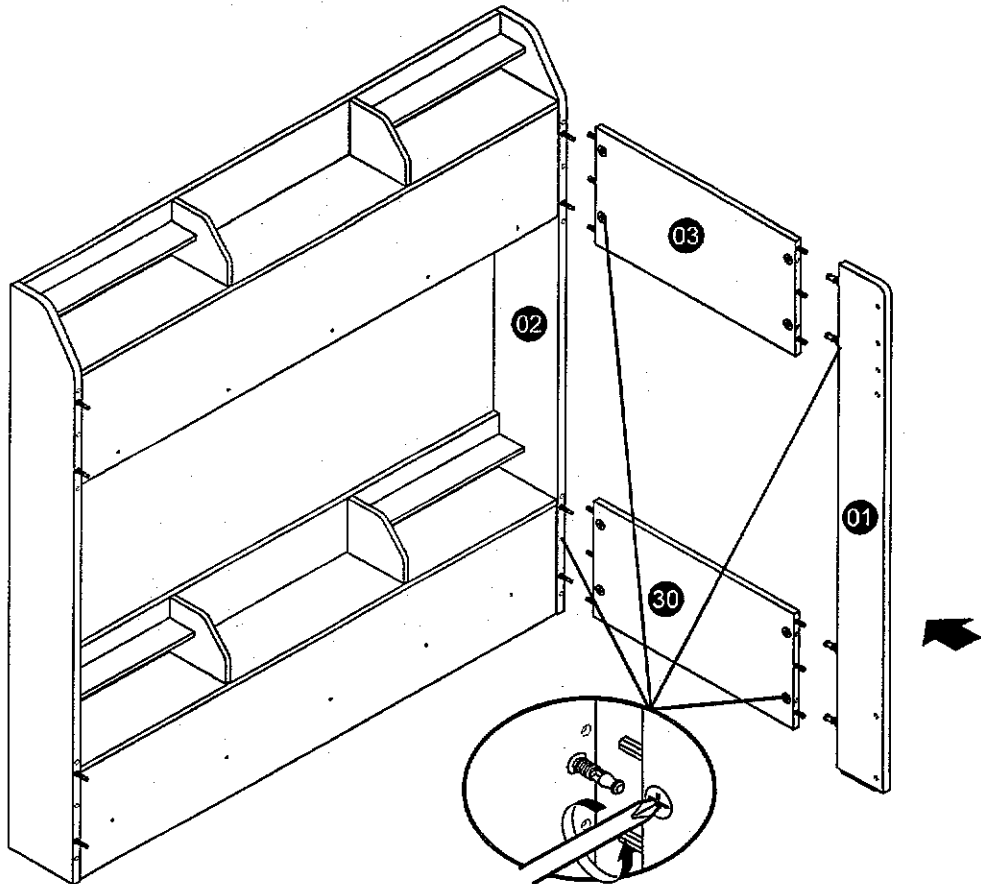
## STEP 16



A x 8



## STEP 17

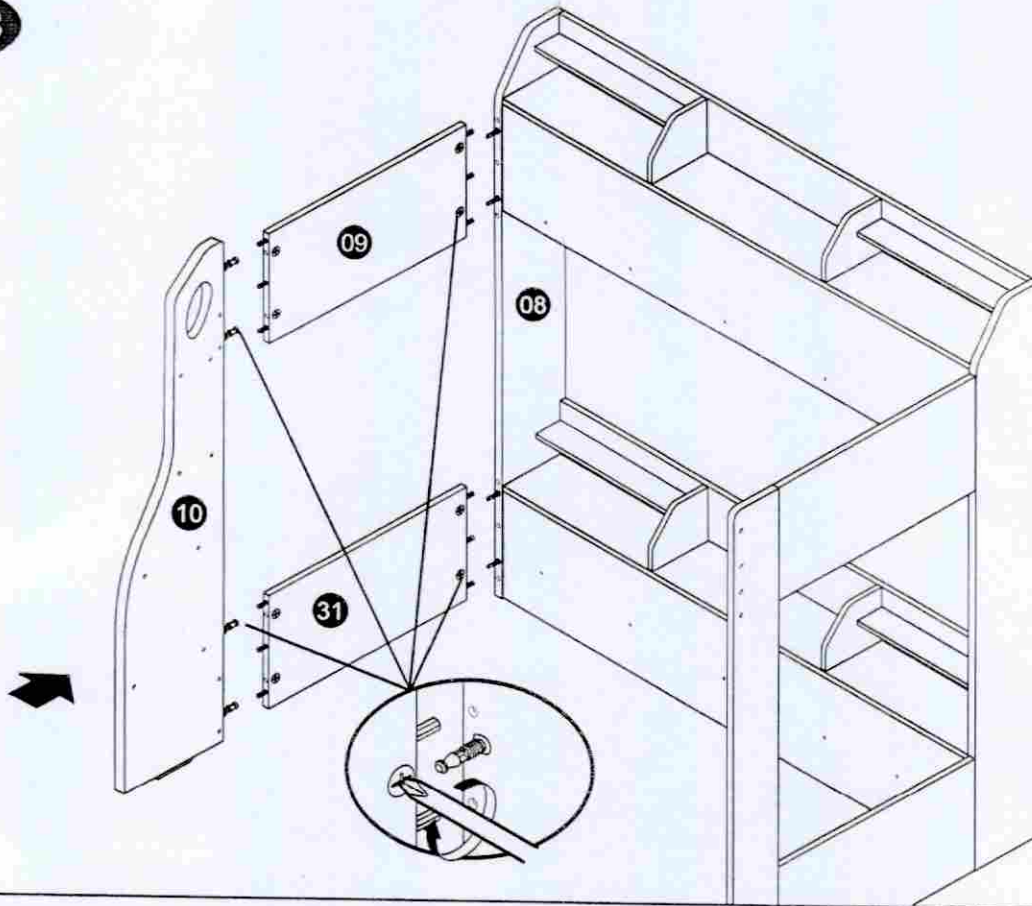


# GUIDE TO ASSEMBLY

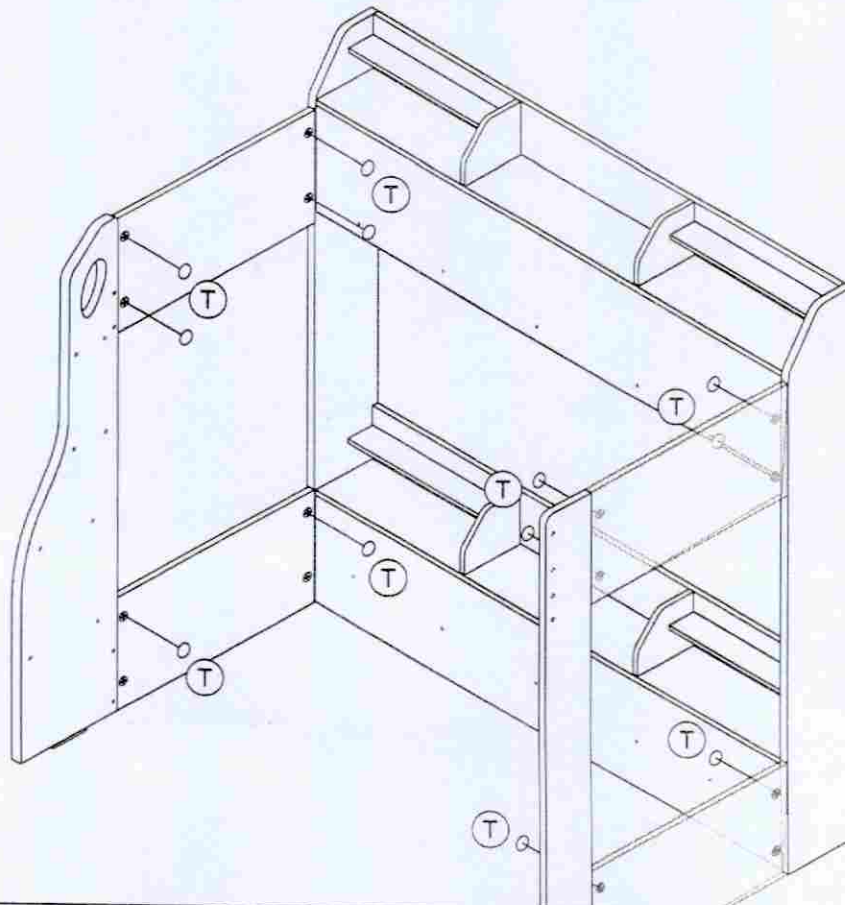
12 / 22


Model: CK 6215

## STEP 18



## STEP 19



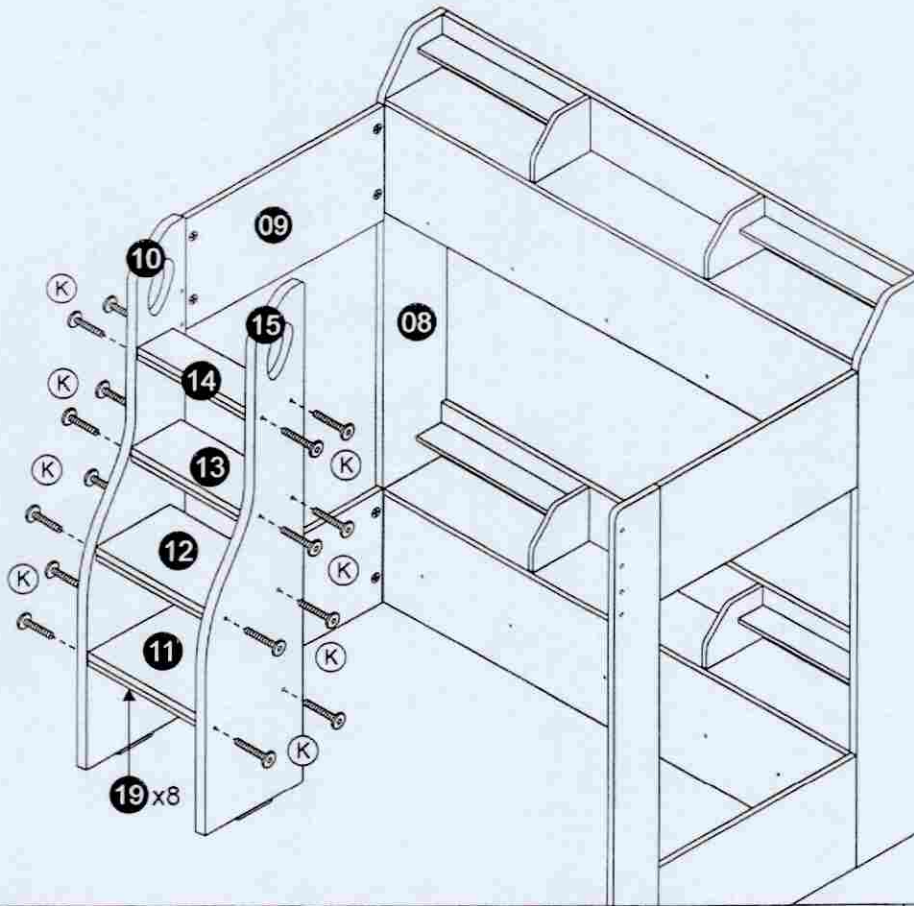
  
T x 12


# GUIDE TO ASSEMBLY

13  
22

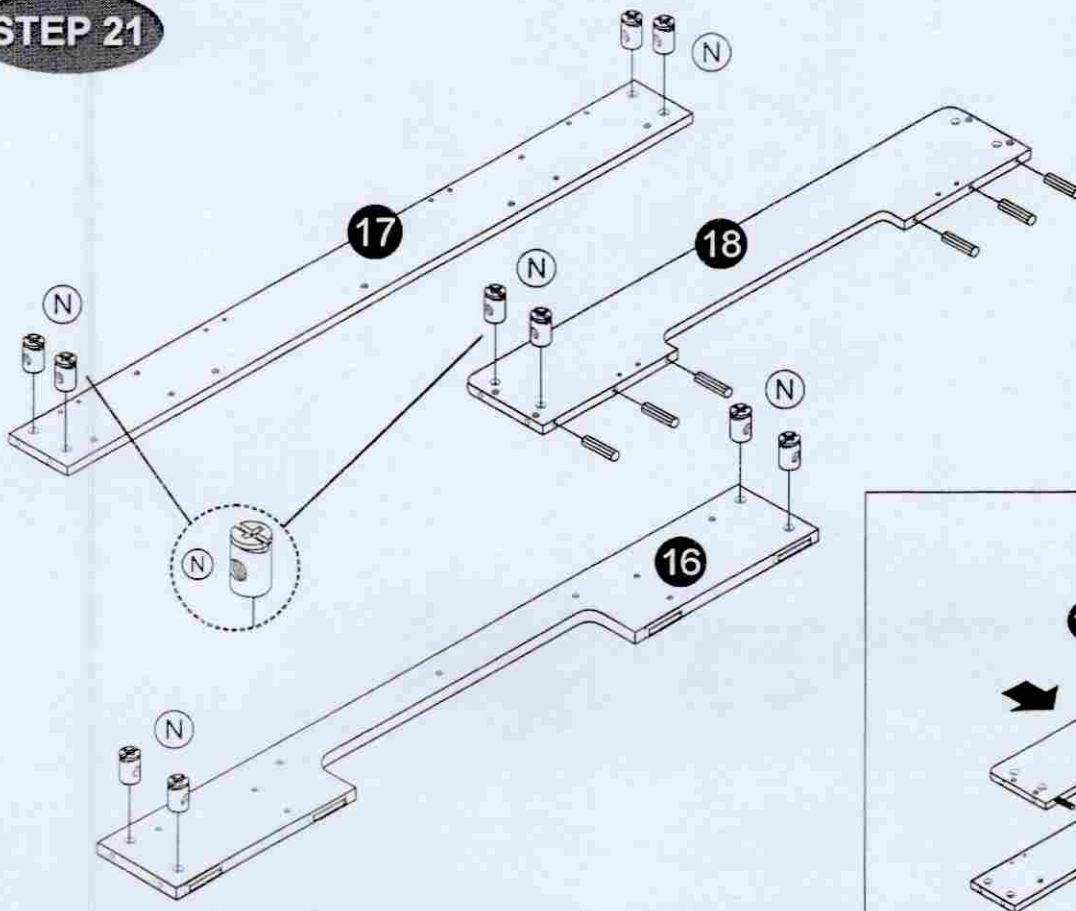
Model: CK 6215



## STEP 20



  
K x 16

## STEP 21



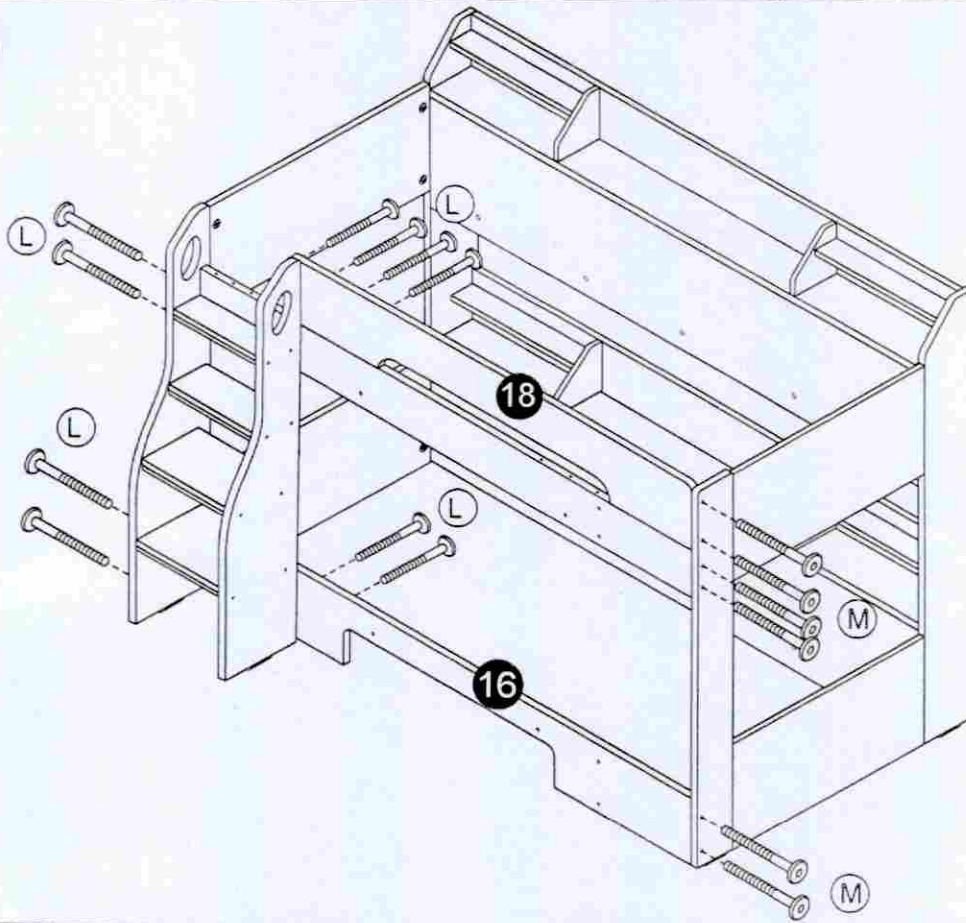
 D x 6     N x 10



# GUIDE TO ASSEMBLY

14  
22

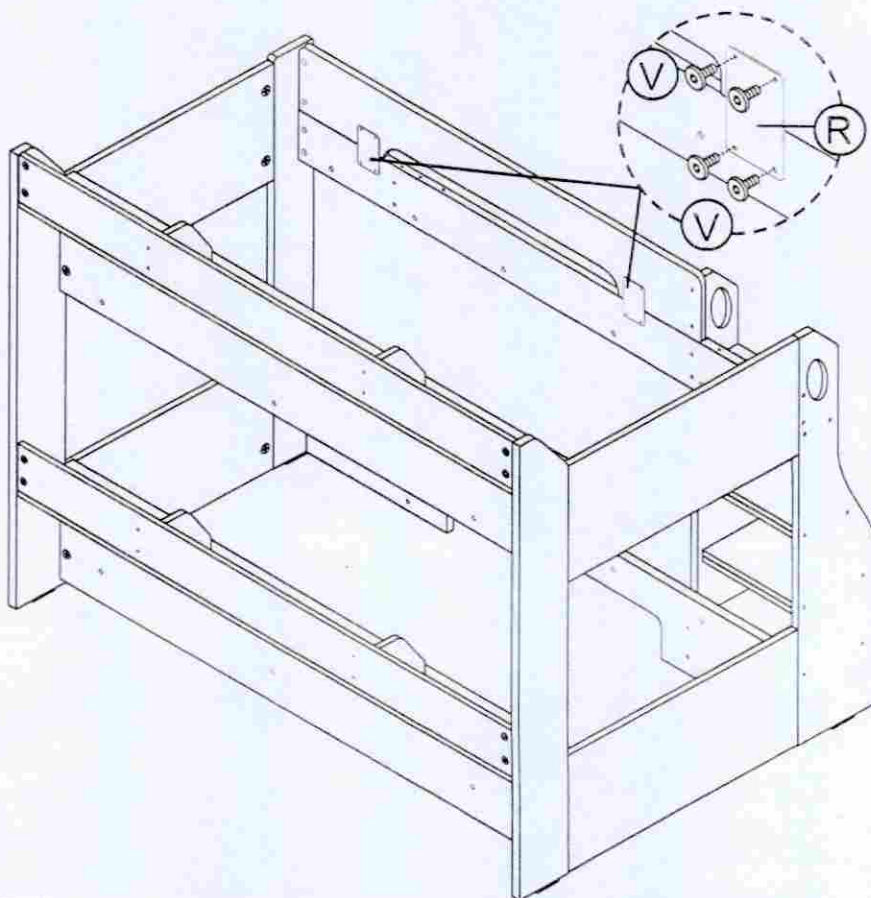
Model: CK 6215


## STEP 22



	
L x 10	M x 6

## STEP 23

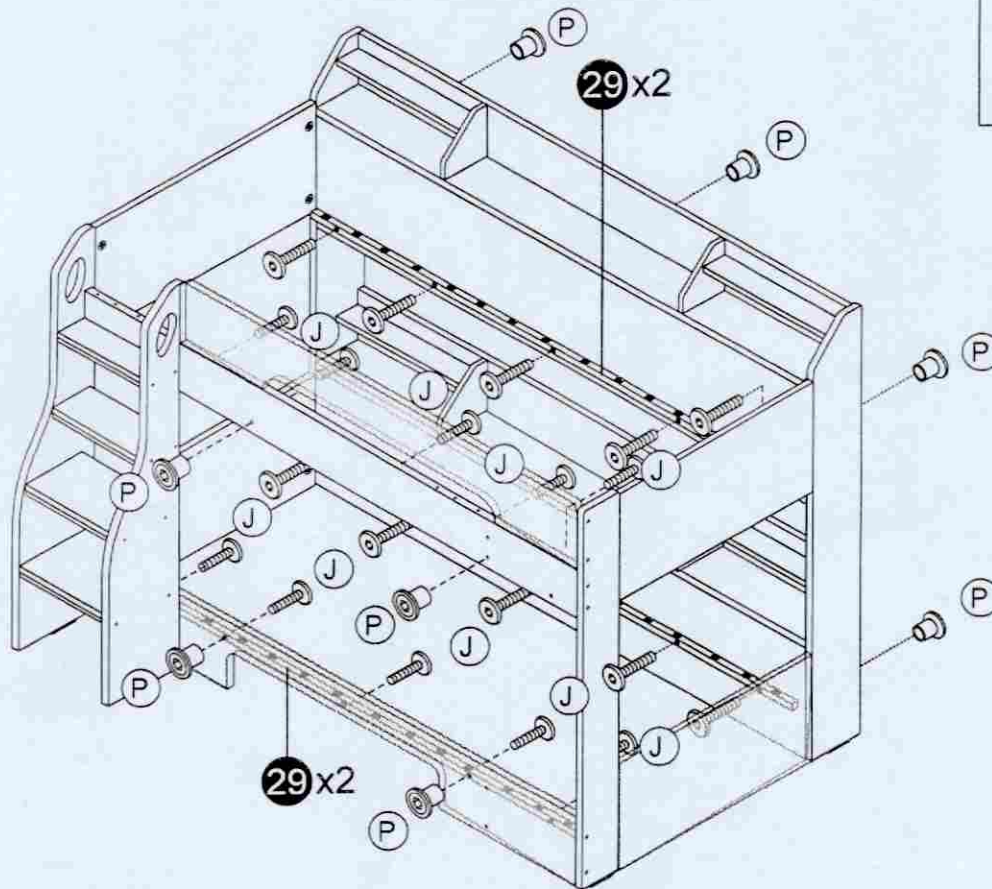




	
R x 2	V x 8

# GUIDE TO ASSEMBLY

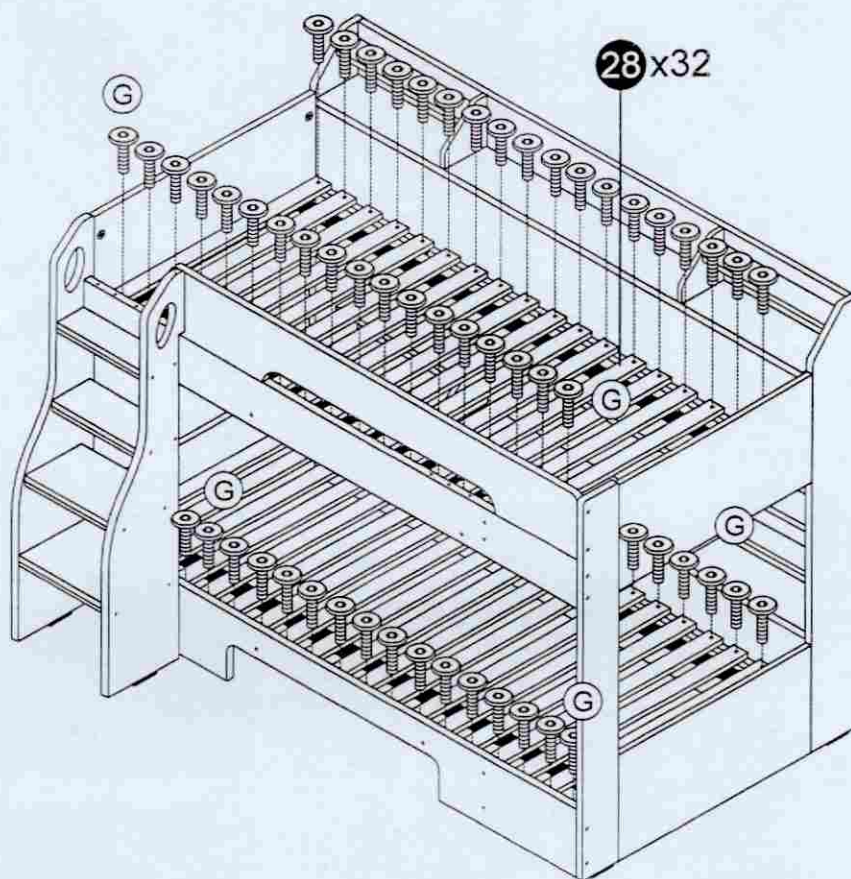
Model: CK 6215


## STEP 24



	
P x 10	J x 20

## STEP 25

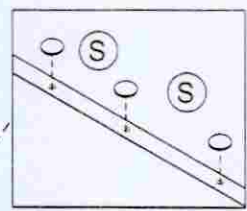
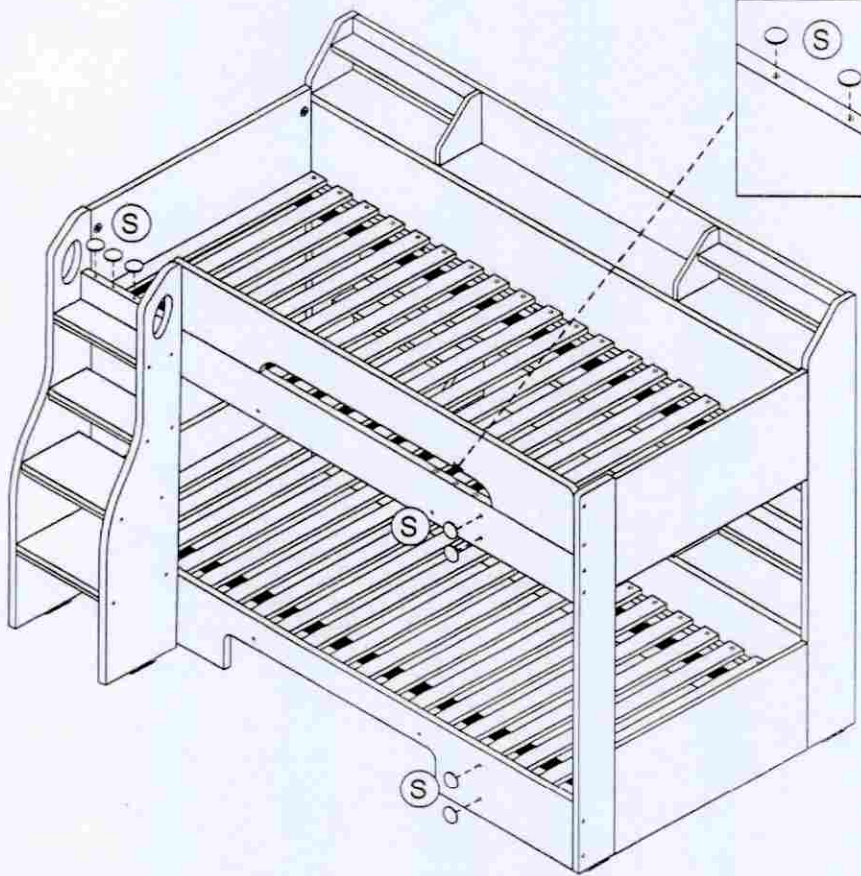




G x 64

# GUIDE TO ASSEMBLY

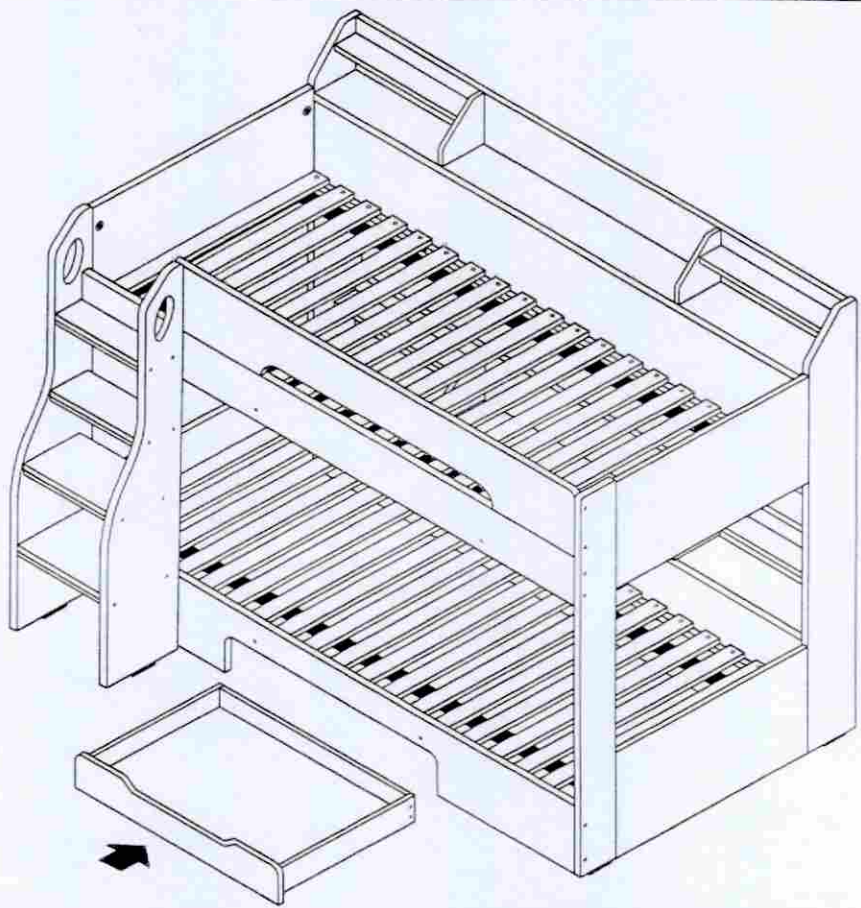
Model: CK 6215

**STEP 26**



  
S x 10

**STEP 27**

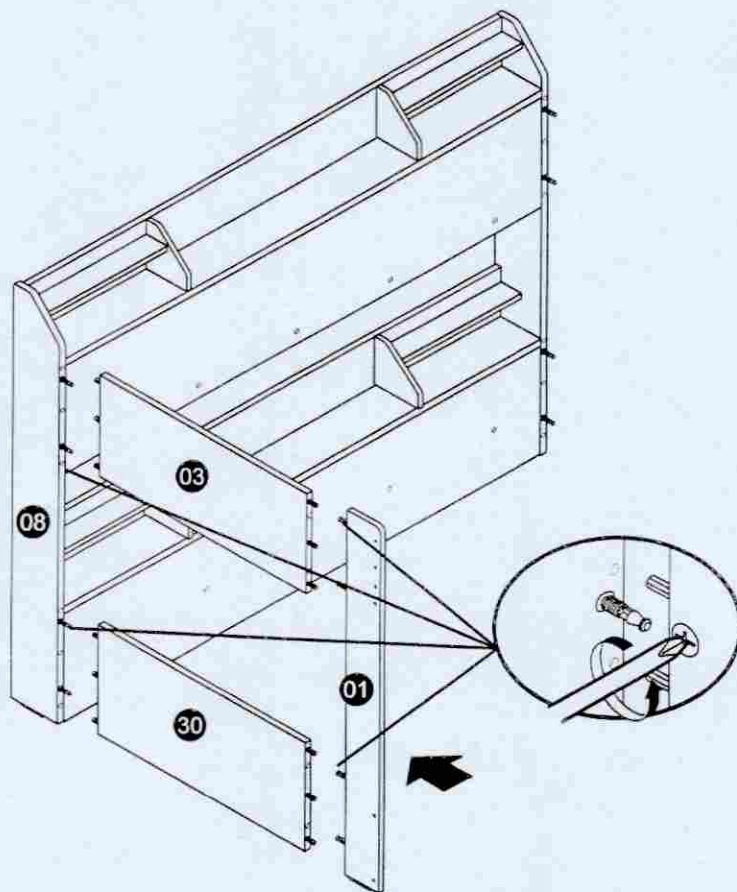




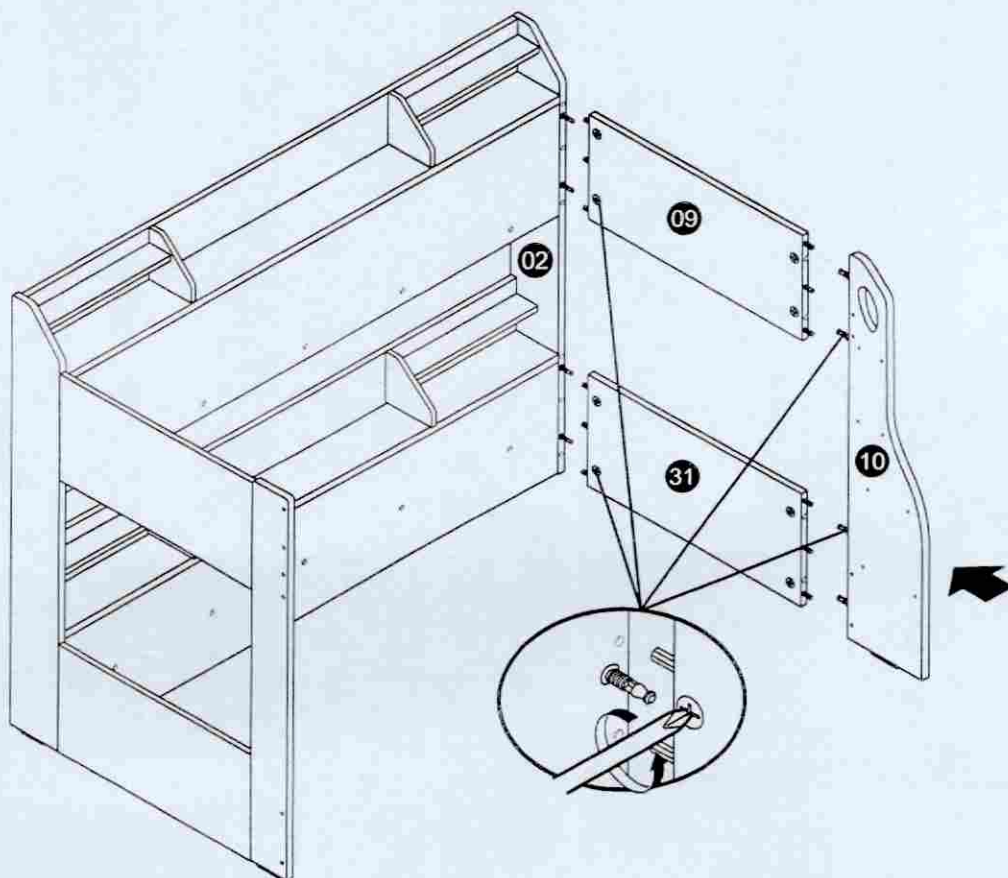
Model: CK 6215

## STEP 17

## Option B



## STEP 18

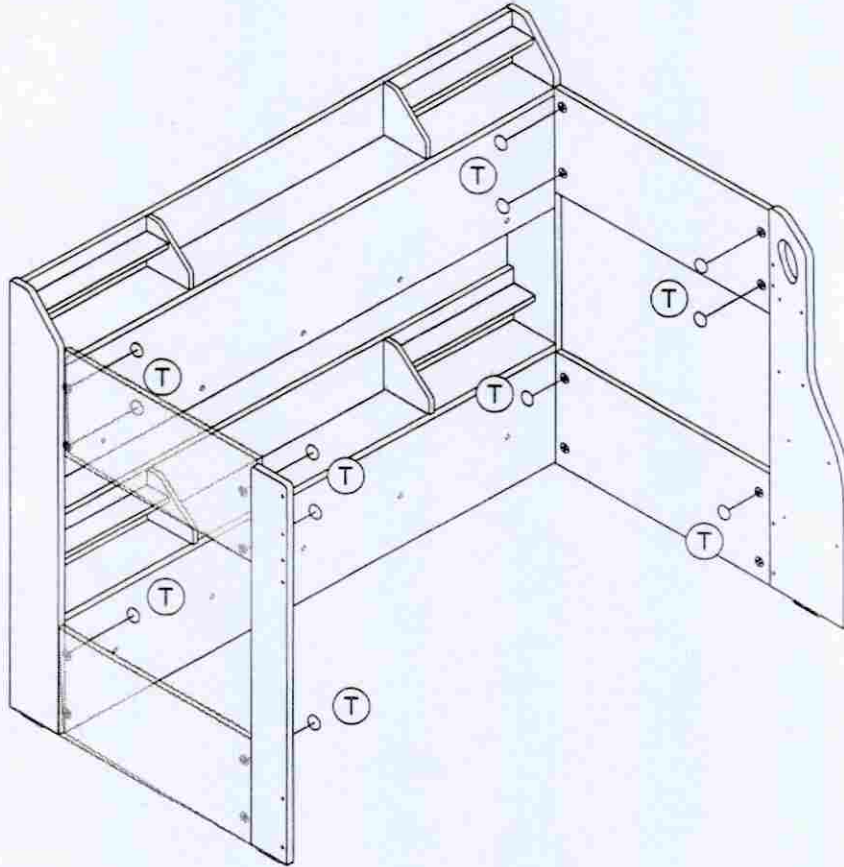


# GUIDE TO ASSEMBLY

18  
22

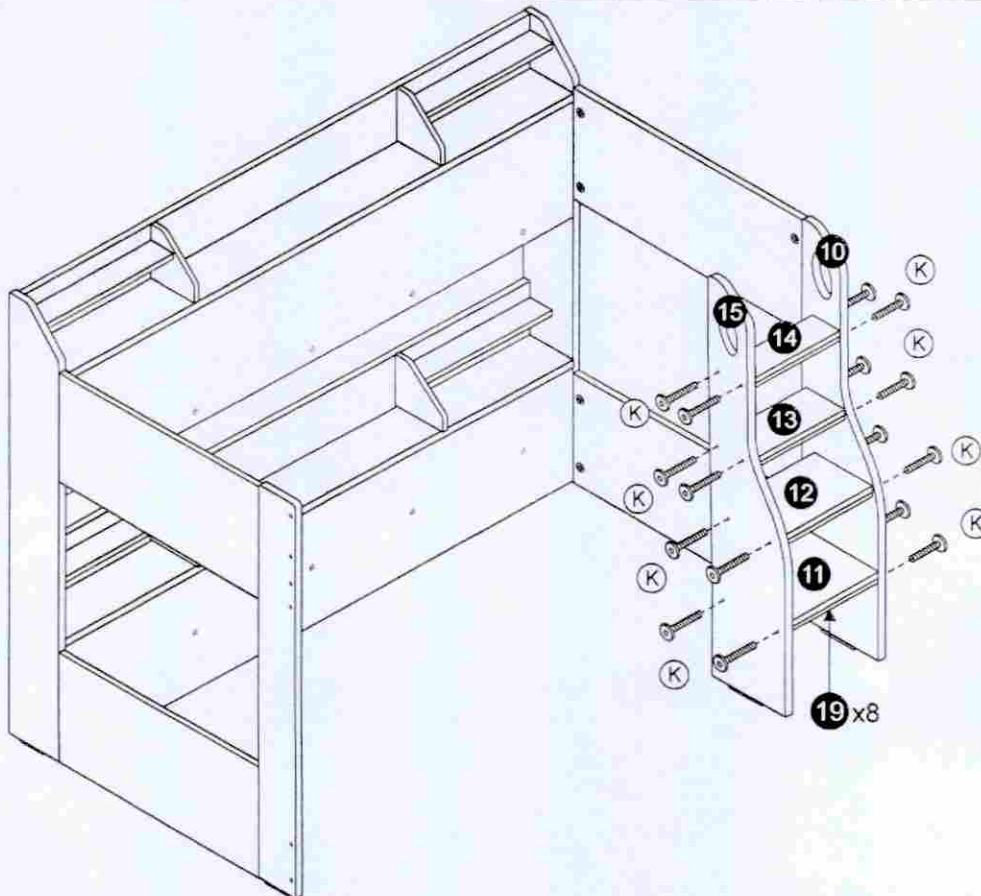
Model: CK 6215


## STEP 19



  
T x 12

## STEP 20



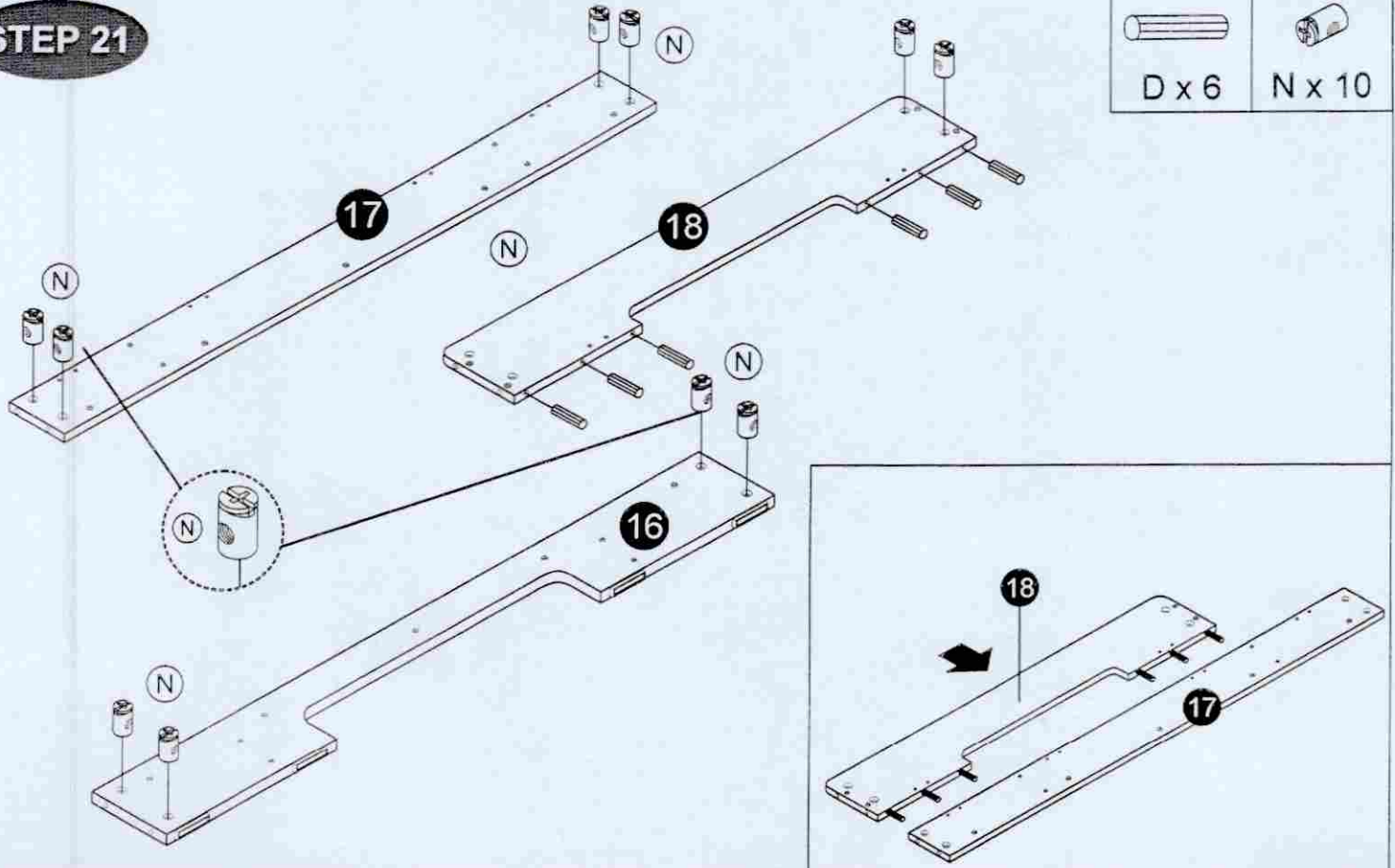
  
K x 16

# GUIDE TO ASSEMBLY

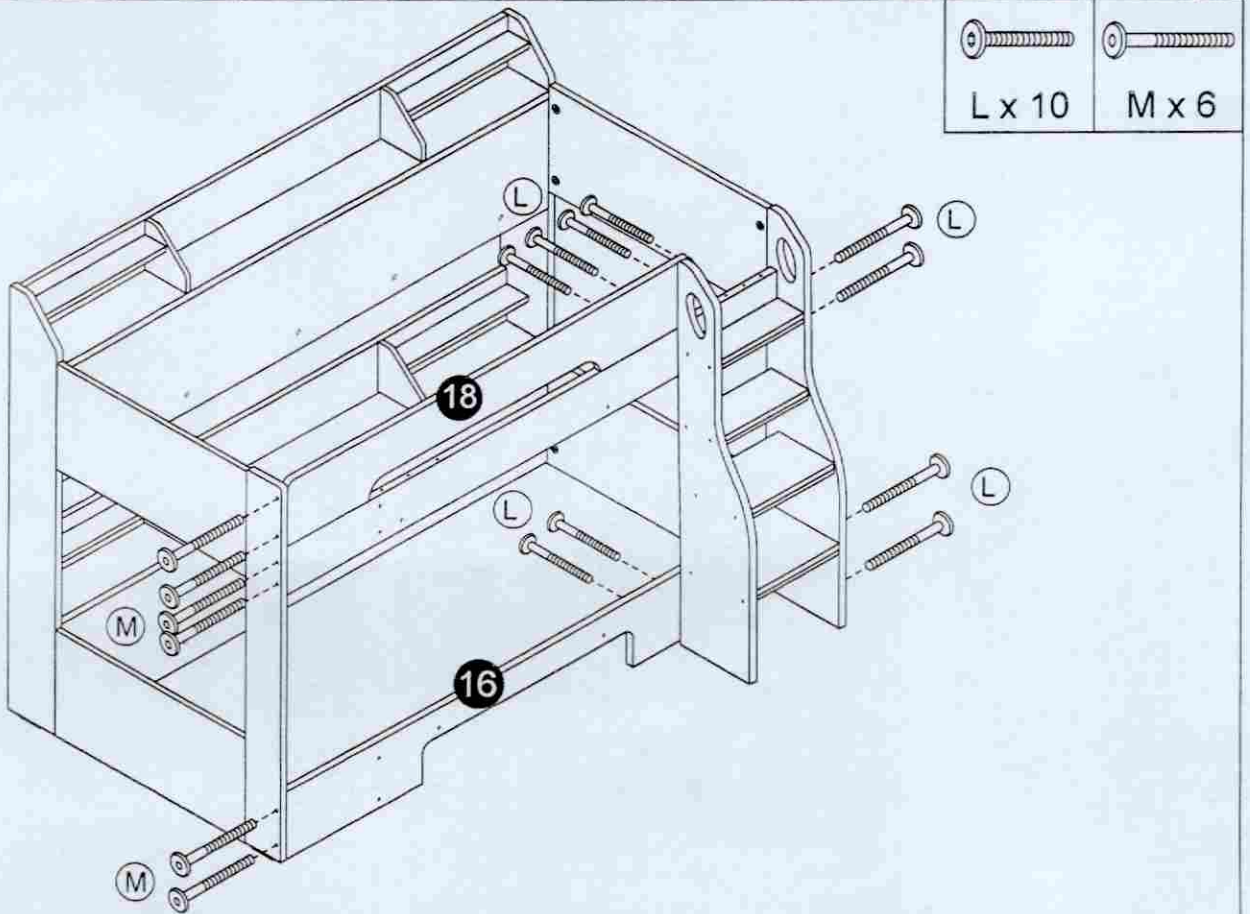
19  
22

Model: CK 6215

## STEP 21



## STEP 22

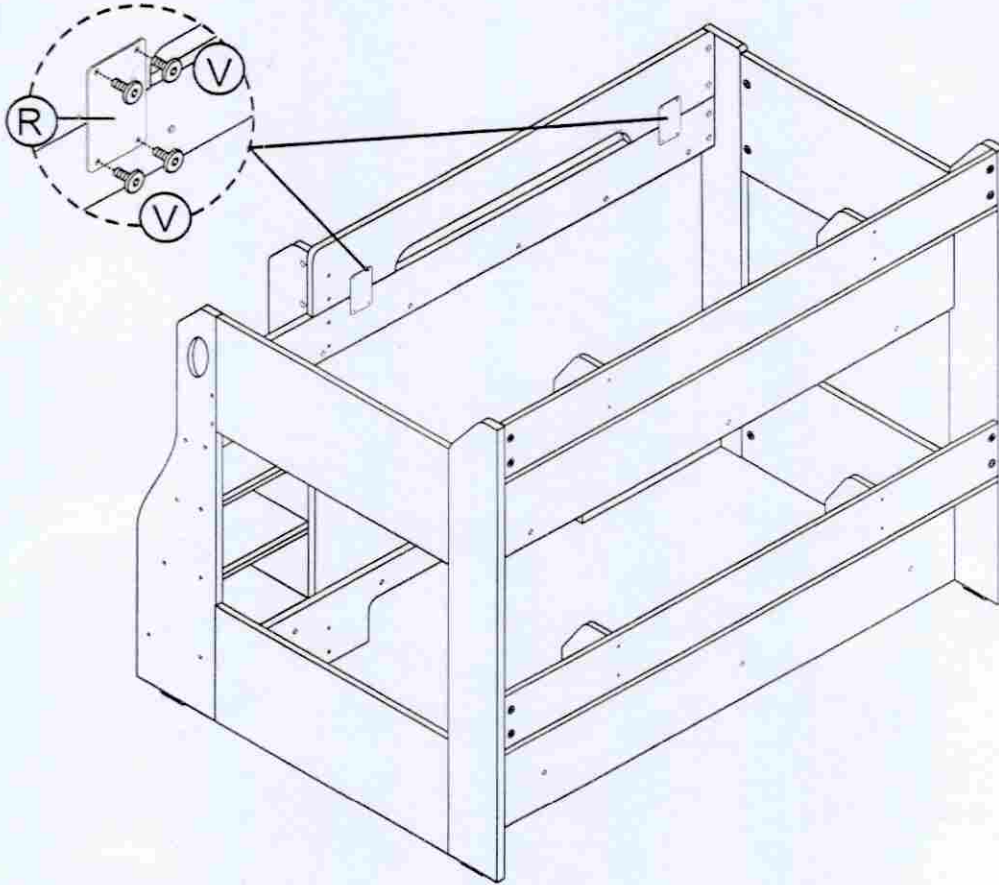


# GUIDE TO ASSEMBLY

20  
22

Model: CK 6215

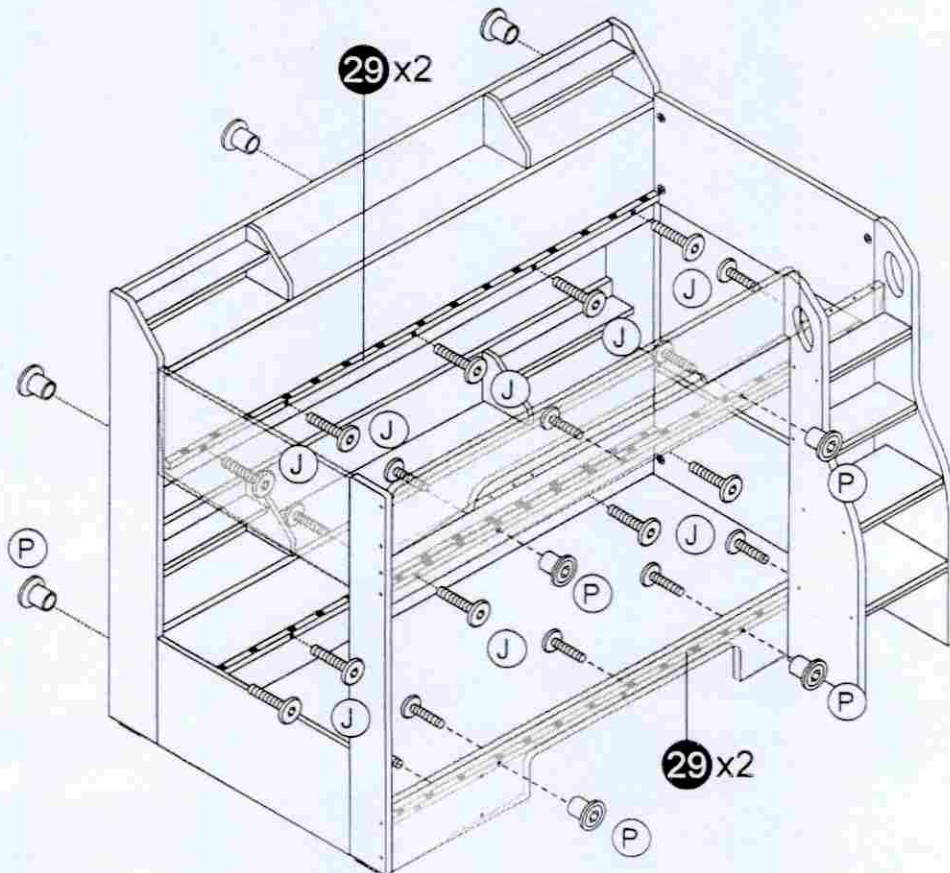
## STEP 23



R x 2

V x 8

## STEP 24



P x 10

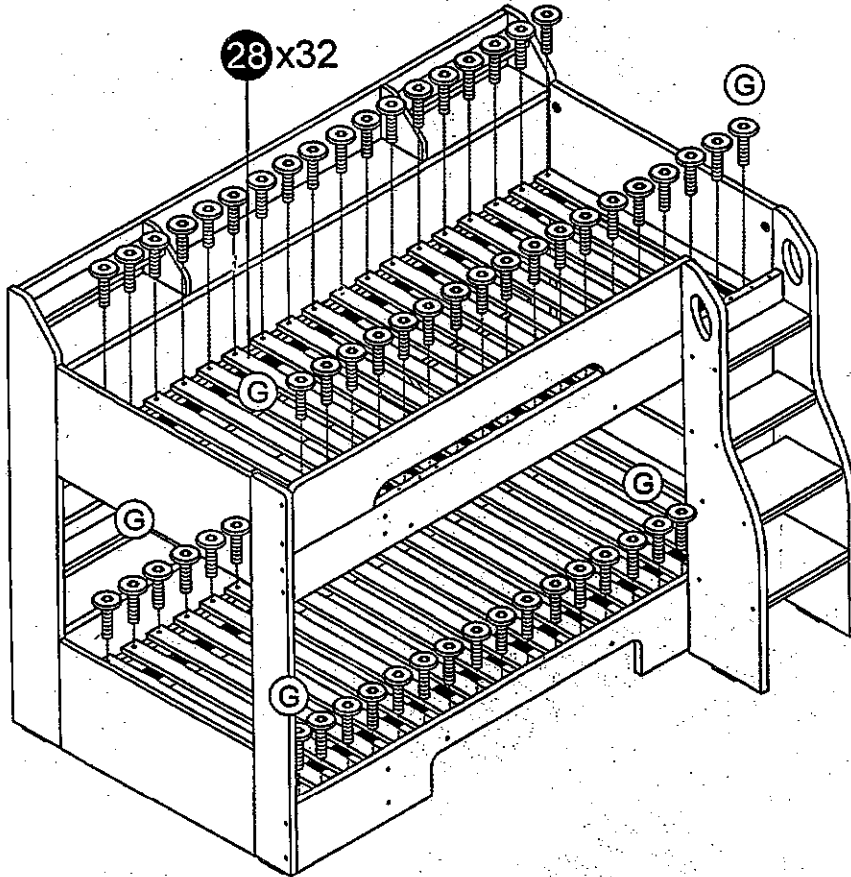
J x 20

# GUIDE TO ASSEMBLY

21  
22

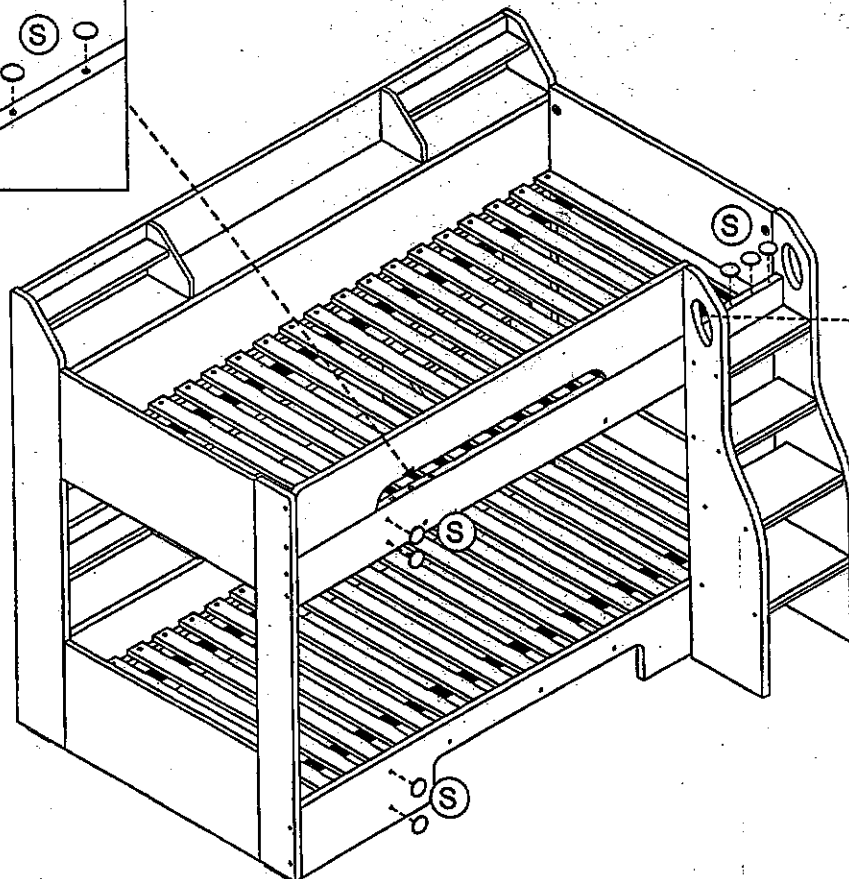
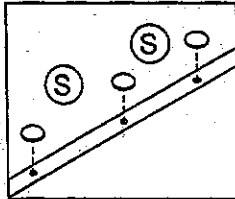
Model: CK 6215

**STEP 25**

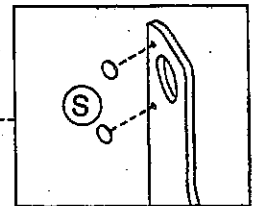


  
G x 64

**STEP 26**



  
S x 12



# GUIDE TO ASSEMBLY

Model: CK 6215

**STEP 27**

